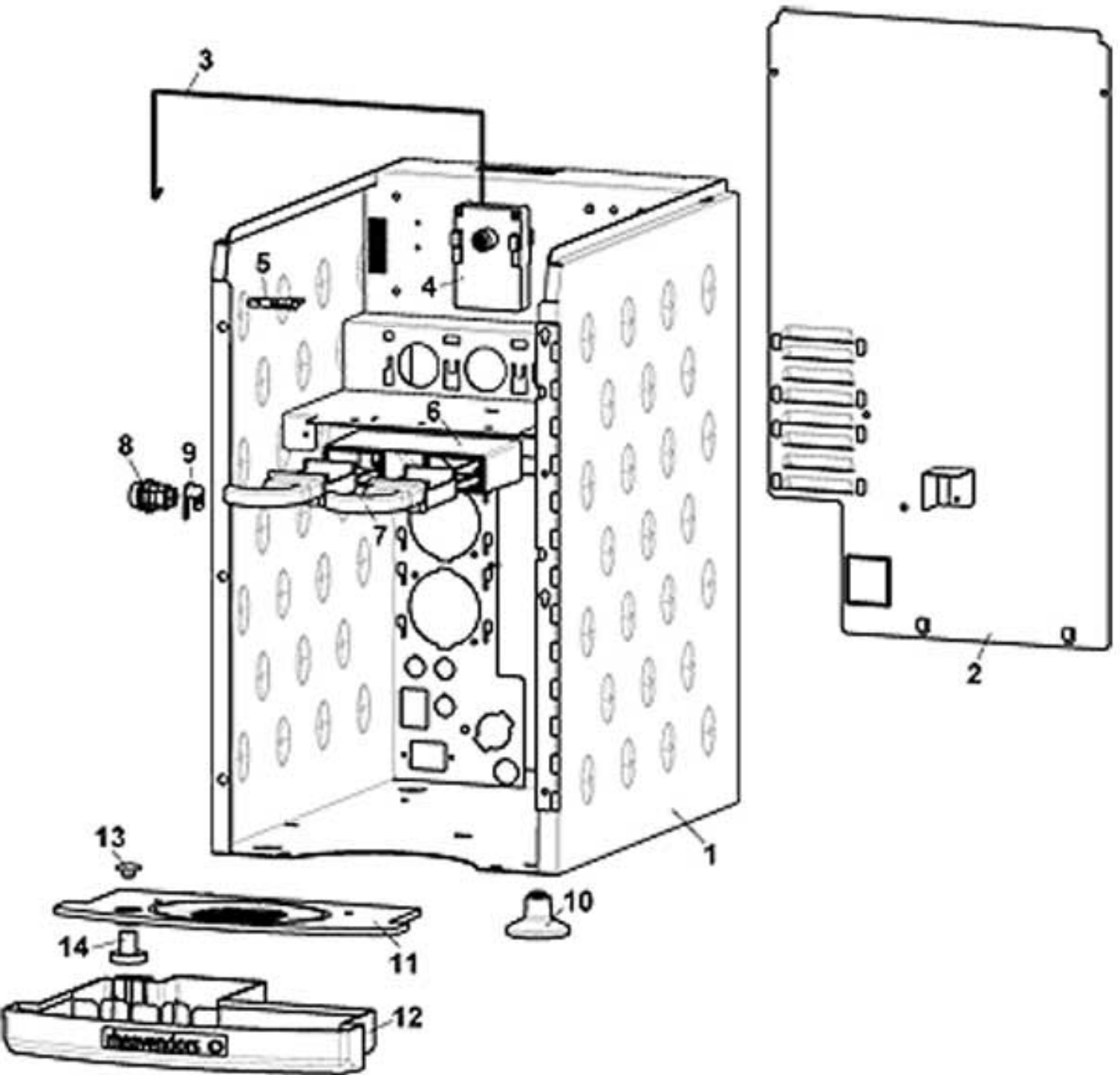


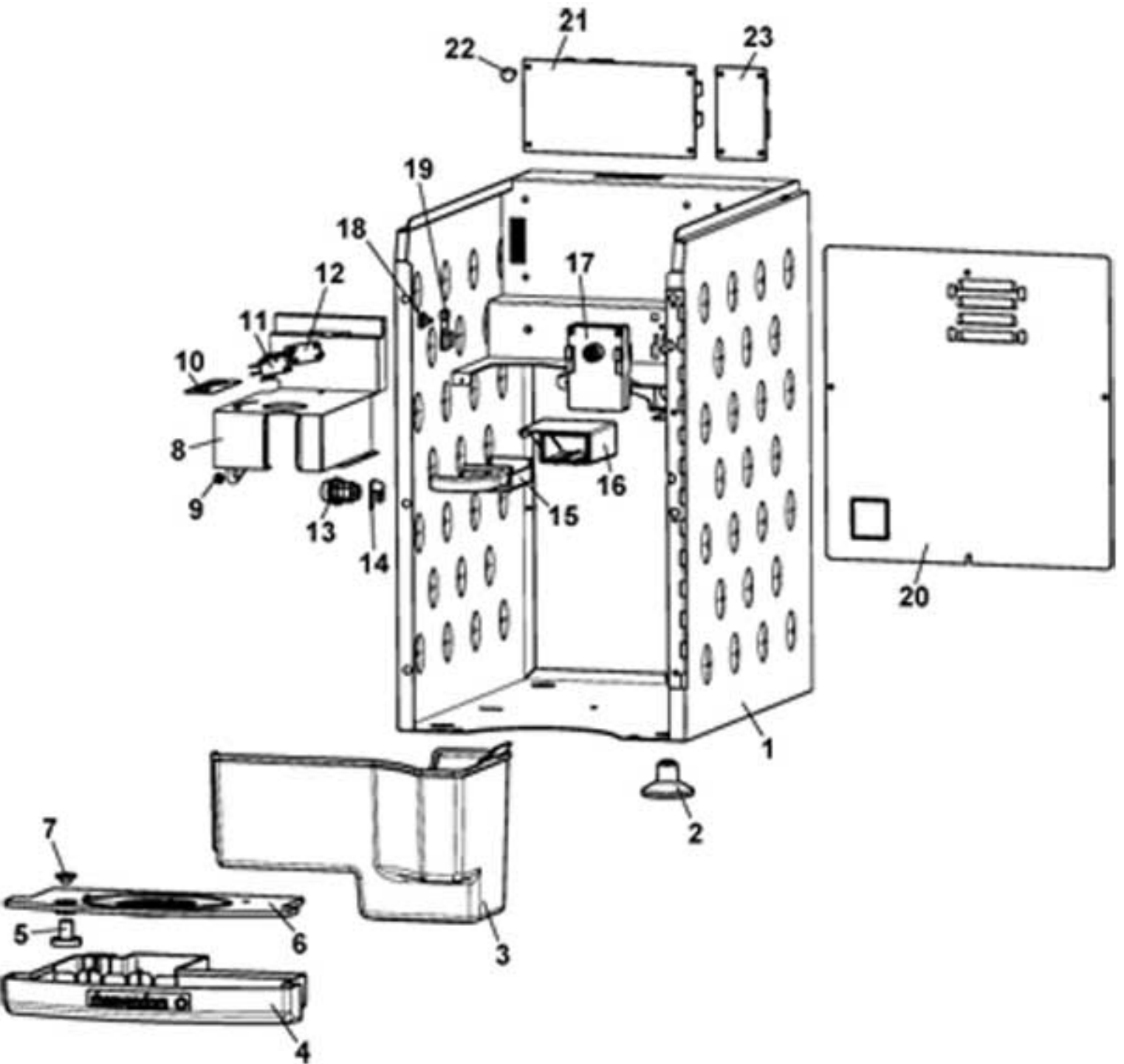
vending machine

[BARISTA]

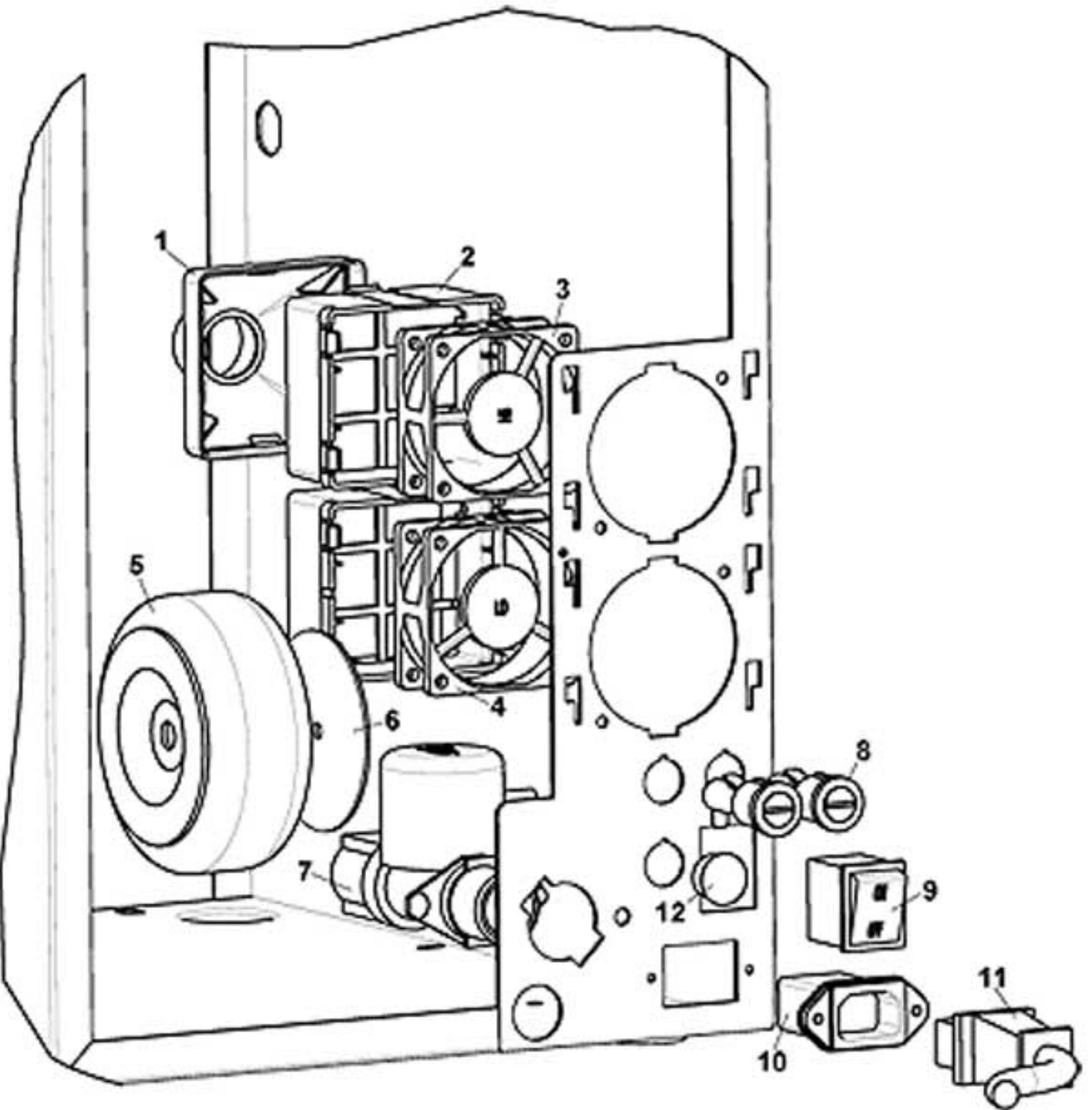
spare parts manual



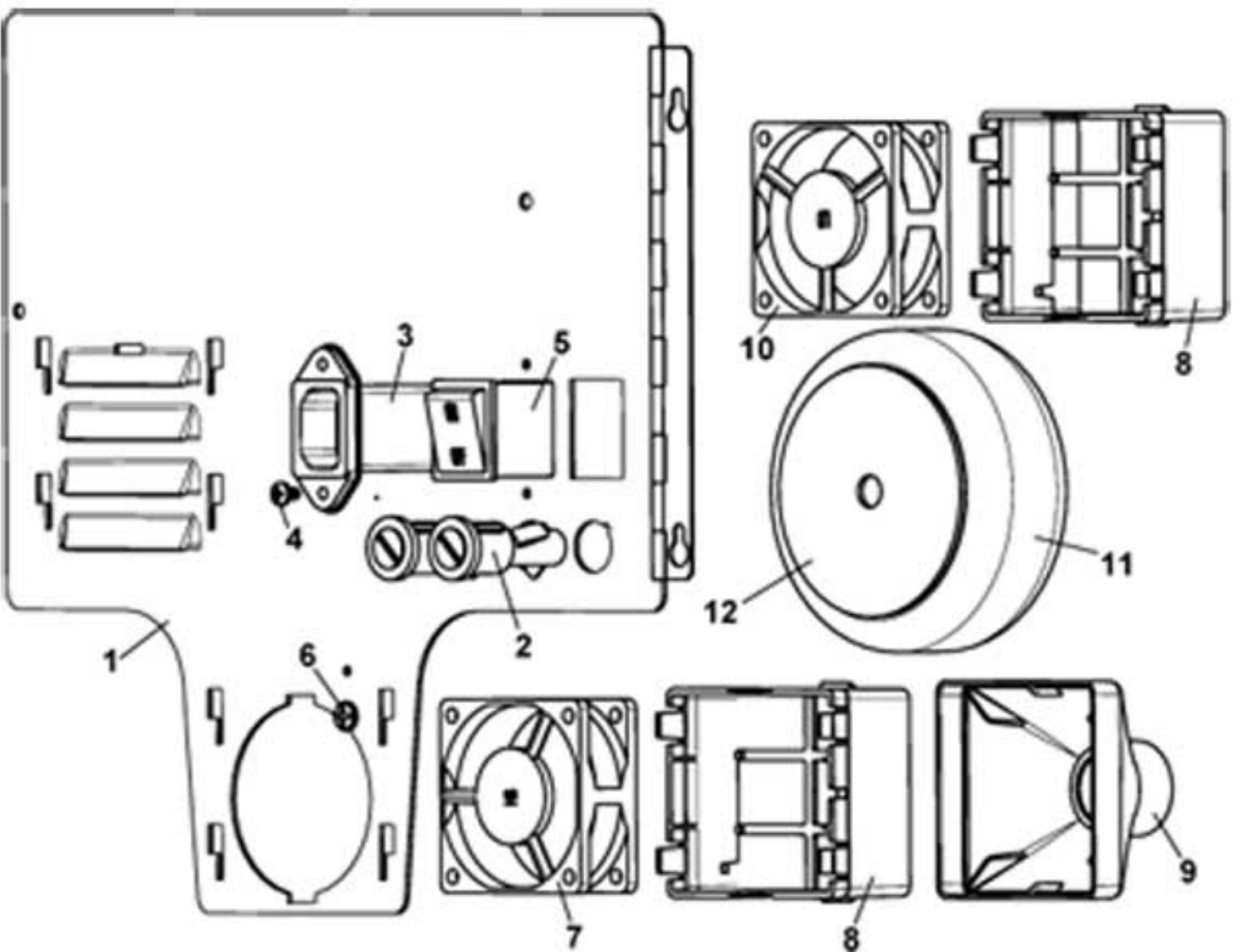
| Pos. | Code | Description |
|------|--------------|-------------------------------|
| 1 | 0010027305 | CABINET STRUCTURE |
| | 0010027305CM | |
| | 0010027305CZ | |
| | 0010027305GH | |
| 2 | 0010027318 | BACK COVER |
| | 0010027318CM | |
| | 0010027318CZ | |
| | 0010027318GH | |
| 3 | 0010027262 | UPPER COVER CONNECTION |
| 4 | 0090002113 | MR NCJM2480-X 24VDC |
| 5 | 0270011109 | SERVICE KEY ASSEMBLY |
| 6 | 0010027021 | EXHAUST DRAWER |
| 7 | 0010027022 | EXTERNAL EXHAUST DRAWER |
| 8 | SER0000024 | LOCK 154 BOX 5 DT mm 20 RAPID |
| 9 | 0020035615 | LOCK BRACKET |
| 10 | 0010027326 | FEET |
| | 0010027326XC | |
| 11 | 0020037117 | WATER COLLECTION TRAY GRATE |
| | 0020037117AG | |
| | 0020037117CF | |
| | 0020037117NA | |
| | 0020037117XC | |
| 12 | 0020037116 | WATER TRAY |
| | 0020037116CF | |
| | 0020037116CM | |
| | 0020037116CV | |
| | 0020037116GH | |
| | 0020037116NA | |
| | 0020037116NC | |
| 13 | 0020037045 | FLOATER "T"RAL3020 XX |
| 14 | 0020037046 | FLOATER "T"RAL3020 XX |



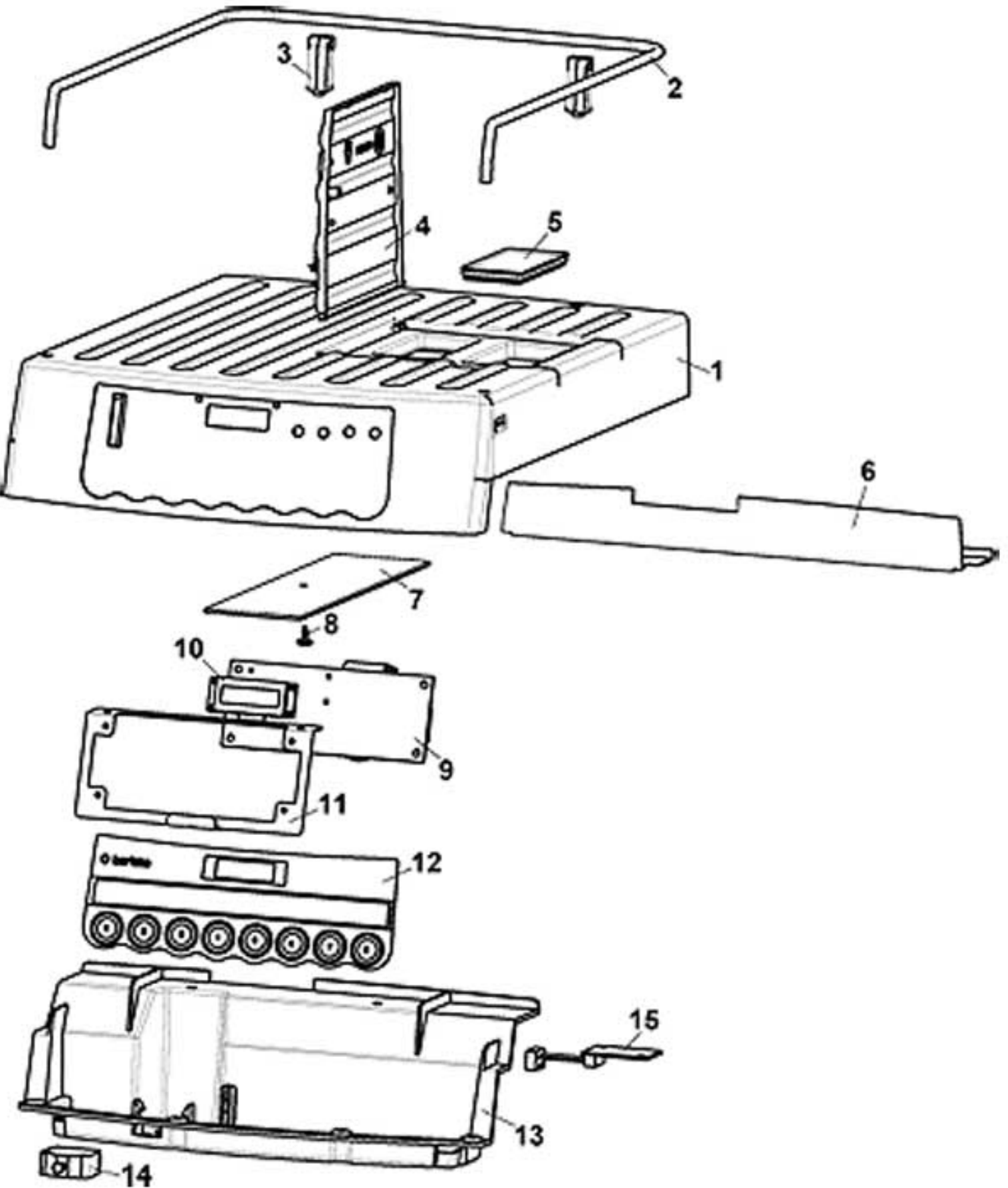
| Pos. | Code | Description |
|------|-----------------------------------|-------------------------------|
| 1 | 0010027605 | CABINET STRUCTURE E |
| | 0010027605CM | |
| 2 | 0010027326 | FEET |
| | 0010027326XC | |
| 3 | 0010027222 | GROUNDS CONTAINER |
| 4 | 0020037116 | WATER TRAY |
| | 0020037116CF | |
| | 0020037116CM | |
| | 0020037116CV | |
| | 0020037116GH | |
| | 0020037116NA | |
| | 0020037116NC | |
| 5 | 0020037046 | FLOATER "T"RAL3020 XX |
| 6 | 0020037117 | WATER COLLECTION TRAY GRATE |
| | 0020037117AG | |
| | 0020037117CF | |
| | 0020037117NA | |
| | 0020037117XC | |
| 7 | 0020037045 | FLOATER "T"RAL3020 XX |
| 8 | 0010027248 | BLACK COVER E MILL |
| 9 | VIT0000007 | M 3x20 TCB SCREW |
| 10 | 0010027249 | sticker of e mill |
| 11 | ELE0001522 | 1-WAY 16 A 250 V MICROSWITCH |
| 12 | 4600010014 | MICRO SPACER |
| 13 | SER0000024 | LOCK 154 BOX 5 DT mm 20 RAPID |
| 14 | 0020035615 | LOCK BRACKET |
| 15 | 0010027022 | EXTERNAL EXHAUST DRAWER |
| 16 | 0010027214 | EXHAUST DRAWER |
| 17 | 0090002113 | MR NCJM2480-X 24VDC |
| 18 | ELE0062253 | ADHESIVE CABLE STOP |
| 19 | 0270011109 | SERVICE KEY ASSEMBLY |
| 20 | 0010027629 | BACK COVER |
| | 0010027629CM | |
| 21 | See table CONTROL AND POWER LOGIC | |
| 22 | ELE0062013 | BOARD SUPPORT |
| 23 | See table CONTROL AND POWER LOGIC | |



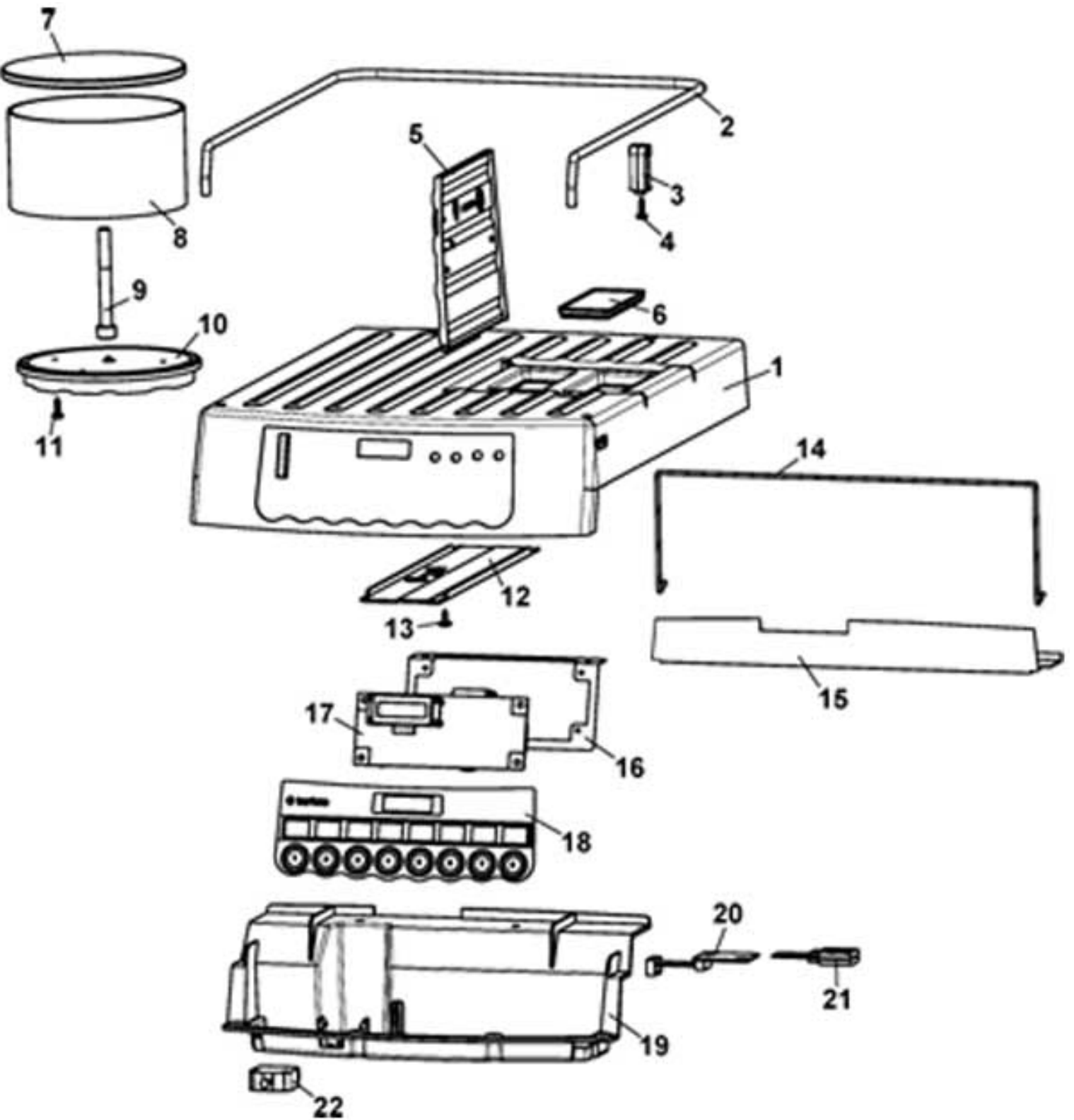
| Pos. | Code | Description |
|------|--------------|---|
| 1 | 0010027065 | CONNECTION CONDUIT |
| 2 | 0010027064 | FAN TRAY |
| 3 | ELE0000461 | AXIAL FAN AD0624HS 24DC |
| 4 | ELE0000462 | AXIAL FAN FL0625LD 24DC |
| 5 | ELE0000555CL | TOROIDAL TRANSFORMER 230V |
| 6 | 0010027319 | TRANSFORMER DISK |
| 7 | 0110001039 | 24 DC INLET VALVE W/SAFETY DEV. |
| 8 | ELE0003508CL | FUSES HOLDER FH-C0345+FUSE12A |
| 9 | ELE0002014 | 15A 250V ON/OFF UL/CSA BIPOLAR SWITCH |
| 10 | ELE0002315 | FILTER SOCKET 115/250V 10A |
| 11 | ELE0055008 | POWER LEAD 3 x 1 SOCKET AND SCHUKO PLUG |
| 12 | GUA0011010 | RELEASE PLUG |



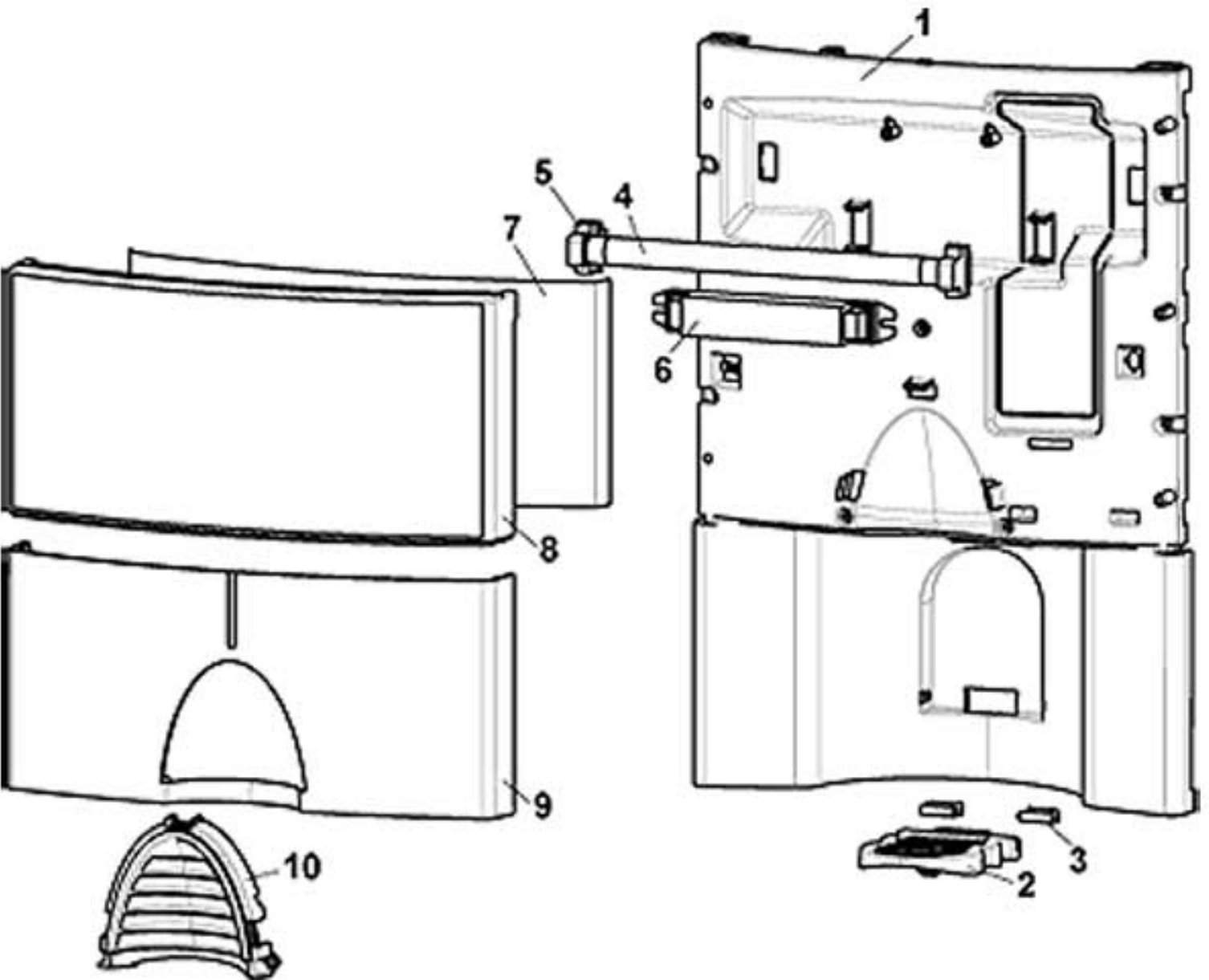
| Pos. | Code | Description |
|------|--------------|---------------------------------------|
| 1 | 0010027625 | ELECTRIC COMPONENTS SUPPORT |
| | 0010027625CM | |
| 2 | ELE0003508CL | FUSES HOLDER FH-C0345+FUSE12A |
| 3 | ELE0002315 | FILTER SOCKET 115/250V 10A |
| 4 | VIT0002010 | 3,5x9,5 TAPPING SCREW WITHOUT POINT |
| 5 | ELE0002014 | 15A 250V ON/OFF UL/CSA BIPOLAR SWITCH |
| 6 | VIT0002401 | TAPPING SCREW TCB 3.5 x 9.5 |
| 7 | ELE0000461 | AXIAL FAN AD0624HS 24DC |
| 8 | 0010027064 | FAN TRAY |
| 9 | 0010027065 | CONNECTION CONDUIT |
| 10 | ELE0000462 | AXIAL FAN FL0625LD 24DC |
| 11 | ELE0000555CL | TOROIDAL TRANSFORMER 230V |
| 12 | 0010027319 | TRANSFORMER DISK |



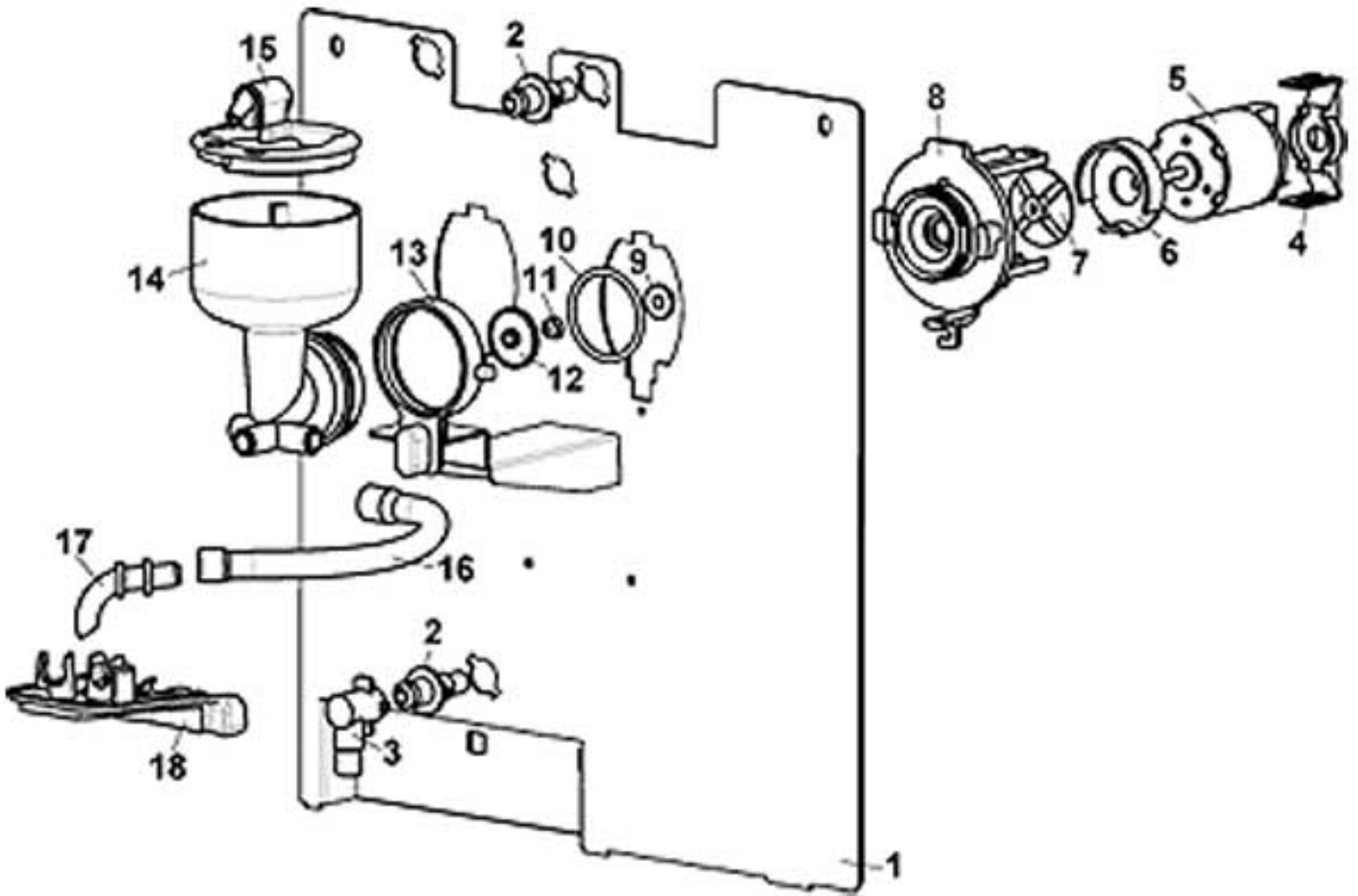
| Pos. | Code | Description |
|------|------------------------------|-----------------------------|
| 1 | 0010027251 | UPPER COVER |
| | 0010027251CG | |
| | 0010027251CM | |
| | 0010027251CU | |
| | 0010027251CV | |
| | 0010027251GH | |
| | 0010027251NA | |
| 2 | 0010027271 | RING CUP |
| 3 | 0010027272 | RING SUPPORT |
| | 0010027272AG | |
| | 0010027272GH | |
| | 0010027272NA | |
| 4 | 0010027252 | H2O COVER |
| | 0010027252CG | |
| | 0010027252CM | |
| | 0010027252CU | |
| | 0010027252CV | |
| | 0010027252GH | |
| | 0010027252NA | |
| 5 | 0010027259 | H2O HOLE PLUG |
| 6 | 0010027260 | UPPER COVER HINGE |
| 7 | 0010027274 | CABLES COVER |
| 8 | VIT0002401 | TAPPING SCREW TCB 3.5 x 9.5 |
| 9 | See table MICRO COFFEE GROUP | |
| 10 | See table MICRO COFFEE GROUP | |
| 11 | 0010027268 | DISPLAY BOARD SUPPORT |
| 12 | 0010027293 | BARISTA KEYBORD T8 |
| 13 | 0010027253 | |
| | 0010027253CM | |
| | 0010027253CV | |
| | 0010027253GH | |
| | 0010027253NA | |
| 14 | ELE0002019 | SWITCH 16A-250V UL |
| 15 | See table MICRO COFFEE GROUP | |



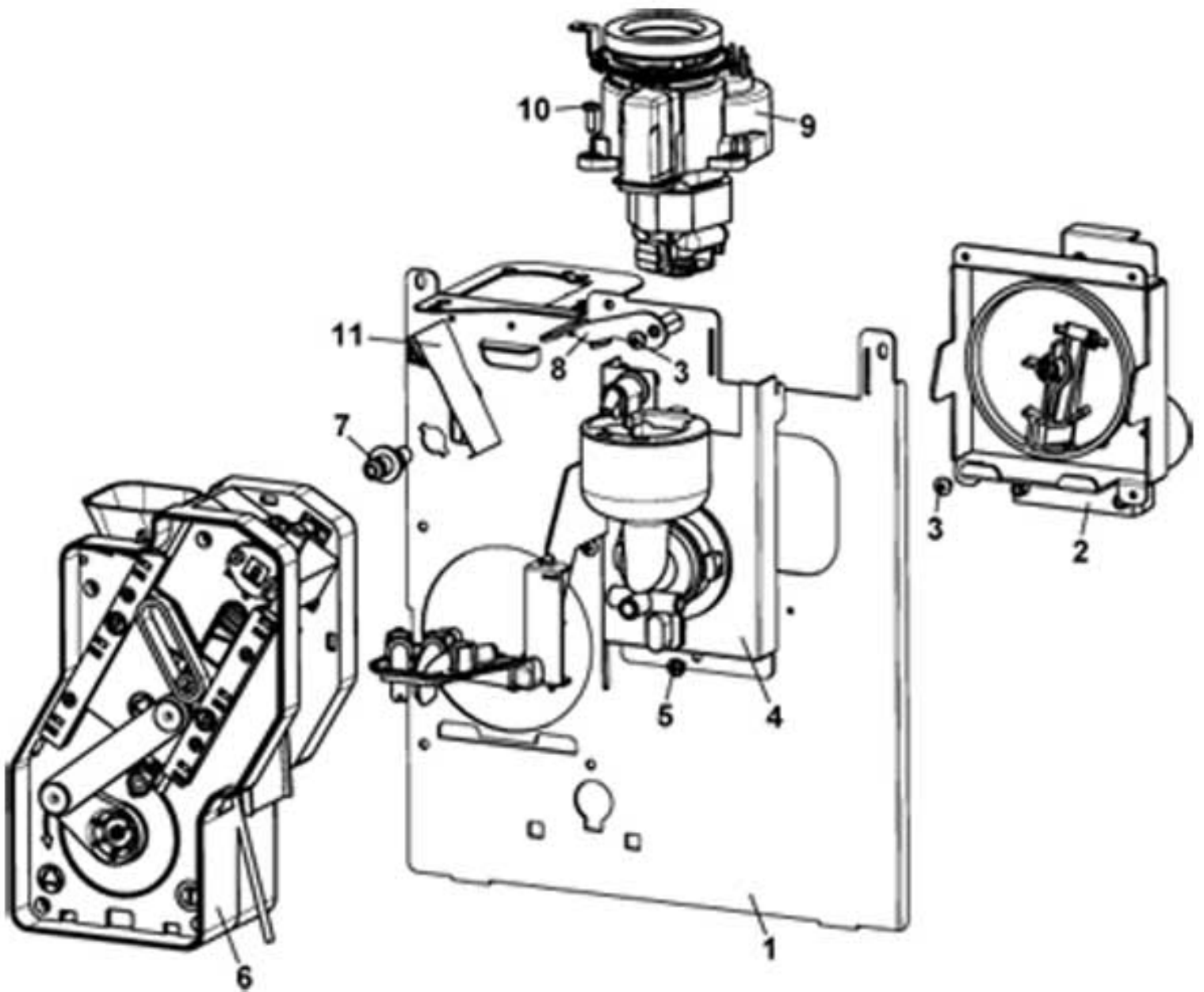
| Pos. | Code | Description |
|------|--------------|--|
| 1 | 0010027251 | UPPER COVER |
| | 0010027251CG | |
| | 0010027251CM | |
| | 0010027251CU | |
| | 0010027251CV | |
| | 0010027251GH | |
| | 0010027251NA | |
| 2 | 0010027271 | RING CUP |
| 3 | 0010027272 | RING SUPPORT |
| | 0010027272AG | |
| | 0010027272GH | |
| | 0010027272NA | |
| 4 | VIT0002466 | QUICK-THREAD SCREW 3.5 x 16 CROSS |
| 5 | 0010027252 | H2O COVER |
| | 0010027252CG | |
| | 0010027252CM | |
| | 0010027252CU | |
| | 0010027252CV | |
| | 0010027252GH | |
| | 0010027252NA | |
| 6 | 0010027259 | H2O HOLE PLUG |
| 7 | 0010020671 | FROTN FLANGE |
| 8 | 0010020673 | TRANSPARENT TUBE D. 125 H.69 |
| 9 | VIT0000244 | TCEI M 8 x 70 Screw |
| 10 | 0010027264 | COFFEE CONTAINER BOTTOM |
| 11 | VIT0002101 | 3.9x 13 TAPPING TCB SCREW |
| 12 | 0010027274 | CABLES COVER |
| 13 | VIT0002401 | TAPPING SCREW TCB 3.5 x 9.5 |
| 14 | 0010027262 | UPPER COVER CONNECTION |
| 15 | 0010027260 | UPPER COVER HINGE |
| 16 | 0010027268 | DISPLAY BOARD SUPPORT |
| 17 | See table | CONTROL AND POWER LOGIC |
| 18 | 0010027293 | BARISTA KEYBORD T8 |
| 19 | 0010027253 | |
| | 0010027253CM | |
| | 0010027253CV | |
| | 0010027253GH | |
| | 0010027253NA | |
| 20 | See table | CONTROL AND POWER LOGIC |
| 21 | See table | CONTROL AND POWER LOGIC |
| 22 | ELE0002019 | SWITCH 16A-250V UL |
| 100 | 0010027265CL | ASSEMBLED COFFEE CONTAINER (FROM POS.7 TO POS. 11) |



| Pos. | Code | Description |
|------|---------------|---------------------------|
| 1 | 0020037102 | DOOR STRUCTURE |
| | 0020037102NC | |
| 2 | 0020037122 | CUP SUPPORT TRAY |
| | 0020037122AG | |
| | 0020037122NA | |
| 3 | 0020037124 | CUP SUPPORT PIN |
| | 0020037124NA | |
| 4 | ELE0009029 | 6 W 210MM LAMP |
| 5 | ELE0009121 | |
| 6 | ELE0009126 | BALLAST 220V 6-8W |
| 7/a | 0020037162 | BARISTA BLUE LABEL |
| 7/b | 0020037161 | BARISTA ORANGE LABEL |
| 8 | 0020037106 | UPPER EXTERNAL DOOR |
| | 0020037106AG | |
| | 0020037106GH | |
| 9 | 0020037107 | BOTTOM EXTERNAL DOOR |
| | 0020037107CG | |
| | 0020037107CM | |
| | 0020037107CU | |
| | 0020037107CV | |
| | 0020037107GH | |
| | 0020037107NA | |
| 10/a | 0020037104CL | BLUE SHINING SUPPLEMENT |
| 10/b | 0020037104CL1 | ORANGE SHINING SUPPLEMENT |

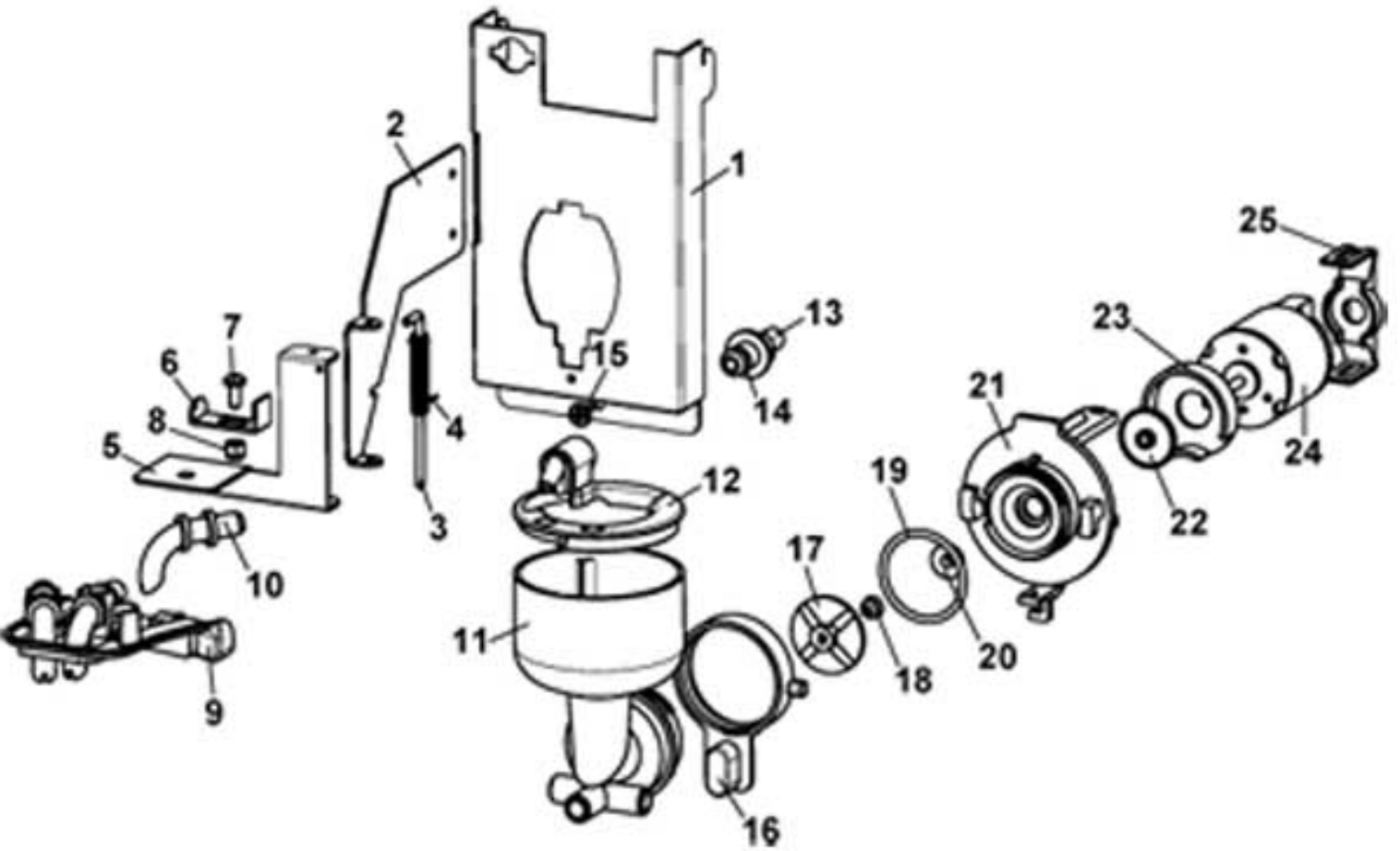


| Pos. | Code | Description | |
|------|--------------|-------------------------------|---------|
| 1 | 0010027315 | MIXER PLAN | |
| | 0010027315CM | | |
| | 0010027315CZ | | |
| | 0010027315GH | | |
| 2 | 0080100043 | SHORT MIXER INSERT | |
| 3 | 0600016030 | Overflow fitting | |
| 4 | 0080100009 | MOTOR HOUSING CONNECTION | |
| | 0080100009IC | | |
| 5 | 0090003023 | 24 V DC MIXER MOTOR SHAFT D.4 | |
| 6 | 0080100023 | MIXER COVER | |
| | 0080100023IC | | |
| 7 | 0080100011 | SMALL FAN MIXER SHAFT D.4 | |
| | 0080100011PL | | |
| 8 | 0080100005 | MIXER BASE | |
| 9 | 0080100015 | MIXER BASE BUSH | |
| 10 | GUA0000084 | OR 3131 | |
| 11 | 0080100014 | MIXER SHAFT GASKET D.4 | |
| 12 | 0080100024 | DRIP TRAP FAN | |
| 13 | 0080100006 | STOPPER RING | |
| | 0080100006IC | | |
| 14 | 0080100041 | MIXER BODY NO INLET | |
| | 0080100041PL | | |
| 15 | 0080100042 | MIXER TRAP WITH INLET | |
| | 0080100042PL | | |
| 16 | TSIL06/11T | TRANSPARENT SILICONE PIPE | |
| 17 | 0010020052 | INGREDIENT PIPE | |
| 18 | 0020037123 | PIPES SUPPORT | |
| | 0020037123NA | | |
| 100 | 0080100001R | MIXER BASE+MOTOR ASSEMBLY | assieme |

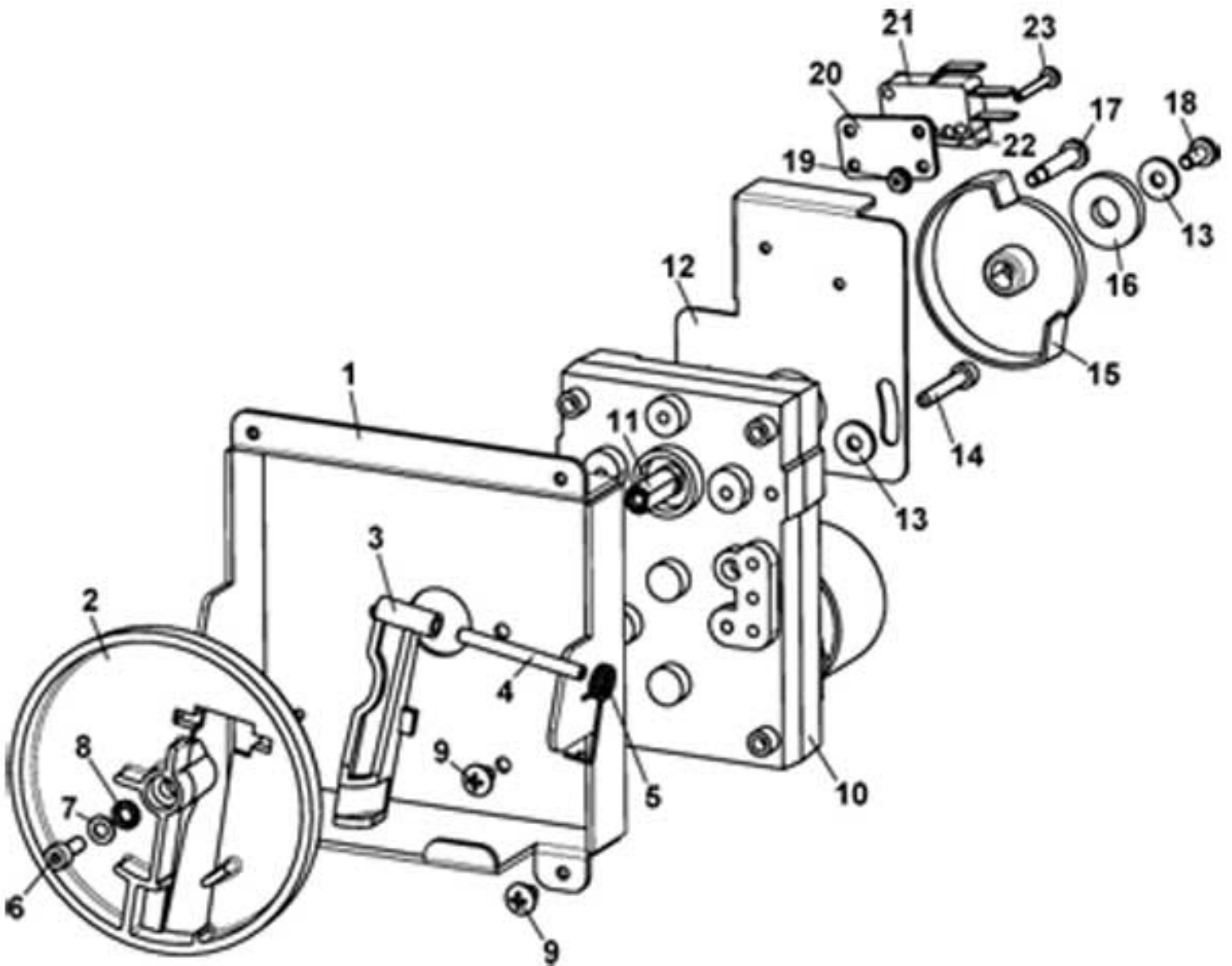


BARISTA - ASSEMBLED MIXER PLAN

| Pos. | Code | Description |
|------|------------|----------------------------------|
| 1 | 0010027612 | BLACK COFFEE BEANS GRUOP PLAN |
| 2 | See table | MICRO COFFEE GROUP MOTOR SUPPORT |
| 3 | VIT0000030 | SCREW TCB M4 x 7 |
| 4 | See table | MIXER |
| 5 | VIT0002401 | TAPPING SCREW TCB 3.5 x 9.5 |
| 6 | See table | MICRO COFFEE GROUP |
| 7 | 0080100043 | SHORT MIXER INSERT |
| 8 | 0010027226 | COFFEE BEANS GROUP FIXING LEVER |
| 9 | See table | VERTICAL MILL GROUP |
| 10 | VIT0000030 | SCREW TCB M4 x 7 |
| 11 | 0250008038 | COFFEE BEANS GROUP COBE CHUTE |

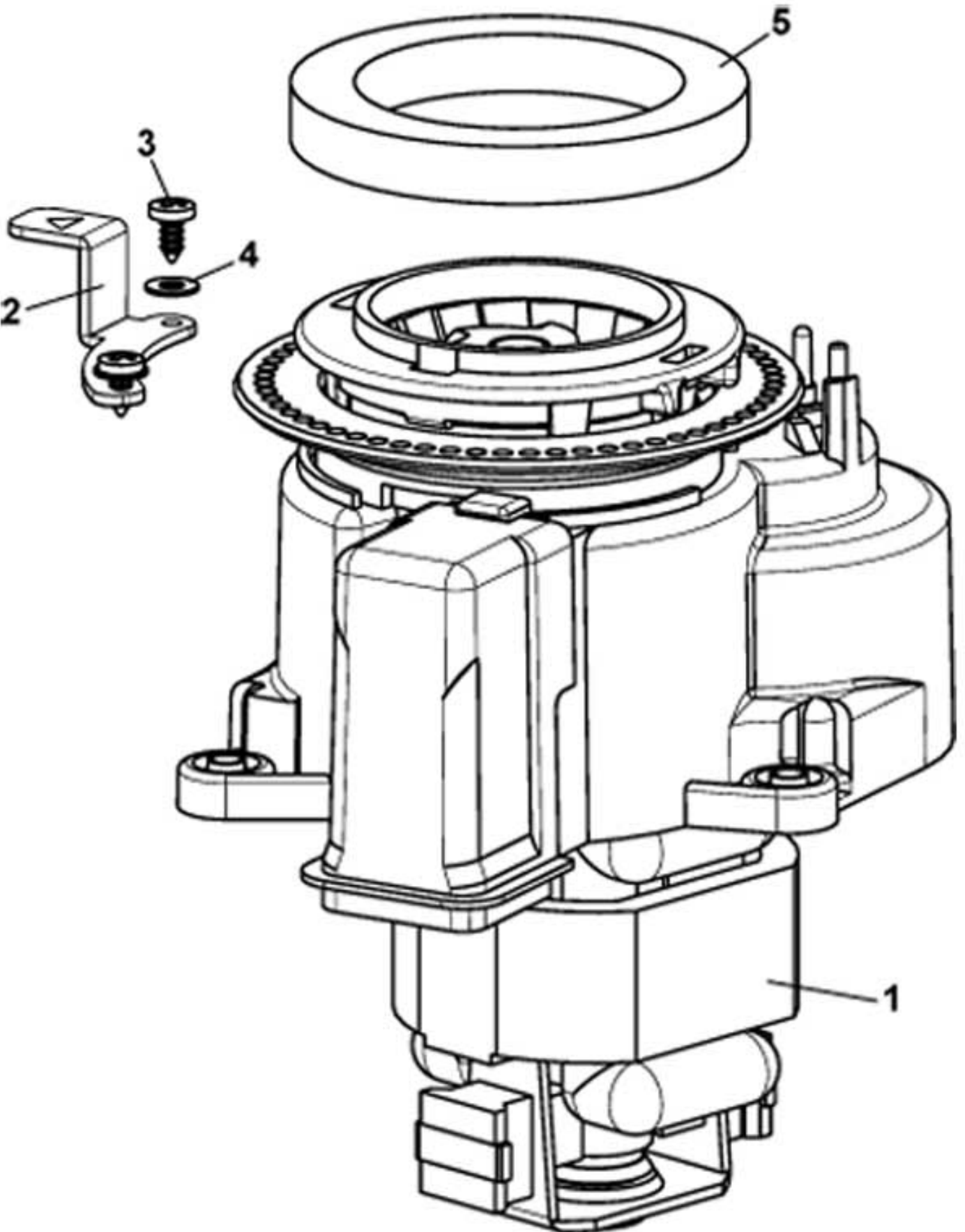


| Pos. | Code | Description |
|------|--------------|---|
| 1 | 0010027215 | MIXER SUPPORT |
| 2 | 0010027246 | JOIN SIDE |
| 3 | 0010020137 | JOIN PIN |
| 4 | 0010020138 | JOINT SPRING |
| 5 | 0010027247 | JOIN FRONTAL |
| 6 | 0010020737 | LEVER STOP JOIN |
| 7 | VIT0000038 | M 4x10 TCB SCREW |
| 8 | VIT0004810 | M 4 SELFLOCKING NUT |
| 9 | 0020037123 | PIPES SUPPORT |
| | 0020037123NA | |
| 10 | 0010020052 | INGREDIENT PIPE |
| 11 | 0080100041 | MIXER BODY NO INLET |
| | 0080100041PL | |
| 12 | 0080100042 | MIXER TRAP WITH INLET |
| | 0080100042PL | |
| 13 | 0080100043 | SHORT MIXER INSERT |
| 14 | GUA0000085 | SILICONE OR 106 |
| 15 | VIT0002401 | TAPPING SCREW TCB 3.5 x 9.5 |
| 16 | 0080100006 | STOPPER RING |
| | 0080100006IC | |
| 17 | 0080100011 | SMALL FAN MIXER SHAFT D.4 |
| | 0080100011PL | |
| 18 | 0080100014 | MIXER SHAFT GASKET D.4 |
| 19 | GUA0000084 | OR 3131 |
| 20 | 0080100015 | MIXER BASE BUSH |
| 21 | 0080100005 | MIXER BASE |
| 22 | 0080100024 | DRIP TRAP FAN |
| 23 | 0080100023 | MIXER COVER |
| | 0080100023IC | |
| 24 | 0090003023 | 24 V DC MIXER MOTOR SHAFT D.4 |
| 25 | 0080100009 | MOTOR HOUSING CONNECTION |
| | 0080100009IC | |
| 100 | 0010027215CL | ASSEMBLED MIXER SUPPORT |
| 101 | 0080100004R | MIXER BASE+MOTOR ASSEMBLY FROM POS. 17 TO POS. 25 |



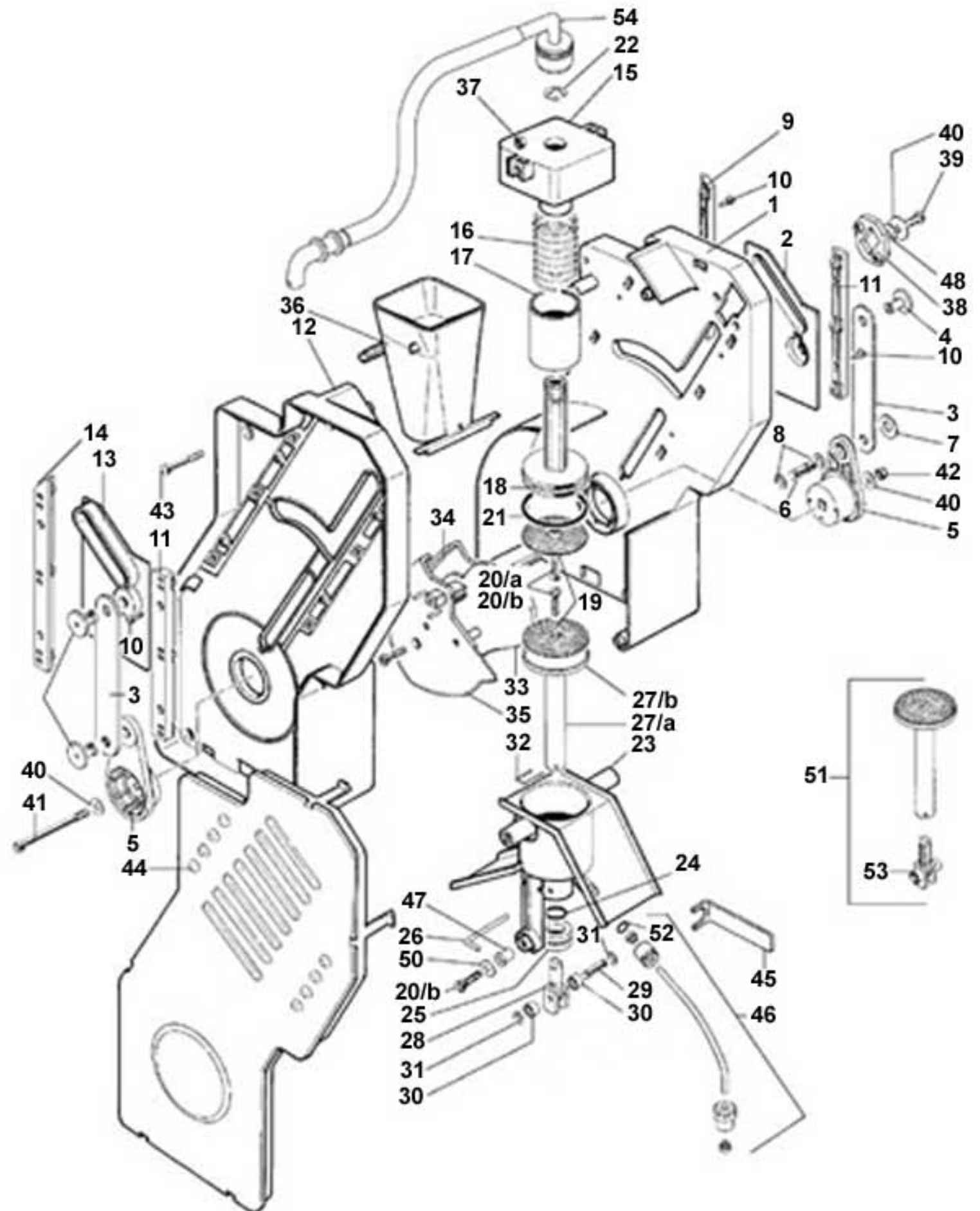
BARISTA - MICRO COFFEE GROUP MOTOR SUPPORT

| Pos. | Code | Description |
|------|--------------|--|
| 1 | 0260010128 | MICRO GROUP MOTOR SUPPORT |
| 2 | 0250008012 | MOTOR CRANK |
| 3 | 0250008034 | HOOKING LEVER |
| 4 | VIT0005205 | 4 x 40 CYLINDRICAL PIN |
| 5 | 0250008059 | SPRING FOR HOOKING LEVER |
| 6 | VIT0005508 | 4x12 TCEI SCREW |
| 7 | VIT0003003 | WASHER D.8 x 4.3 x 0.8 |
| 8 | VIT0003103 | WASHER tab D. 4.3 |
| 9 | VIT0000030 | SCREW TCB M4 x 7 |
| 10 | 0090002191 | 11 RPM 24V DC MOTOR |
| 11 | 0090002181 | COFFEE BEANS GROUP SHAFT |
| 12 | 0250008093 | MICRO PLATE |
| 13 | VIT0003301 | WASHER D.12 x 4.3 x 1.5 |
| 14 | VIT0005521 | 4x25 TCEI SCREW |
| 15 | 0250008043 | GROUP READER DISK |
| 16 | 0250008091 | MICRO SPACER |
| 17 | 0250008126 | SPECIAL M4 PIN |
| 18 | VIT0000012 | SCREW T.C.B. M 4 x 10 |
| 19 | VIT0004701 | M3 FR NUT |
| 20 | 4600010014 | MICRO SPACER |
| 21 | ELE0001528 | MICRO 83.161.832 |
| 22 | ELE0001904 | MICRO LEVER |
| 23 | VIT0000007 | M 3x20 TCB SCREW |
| 100 | 0260010128CL | 230V ASSEMBLED MICRO GROUP MOTOR SUPORT |
| 101 | 0090002191R | ASSEMBLED 11 RPM 24V DC MOTOR POS. 10+11 |

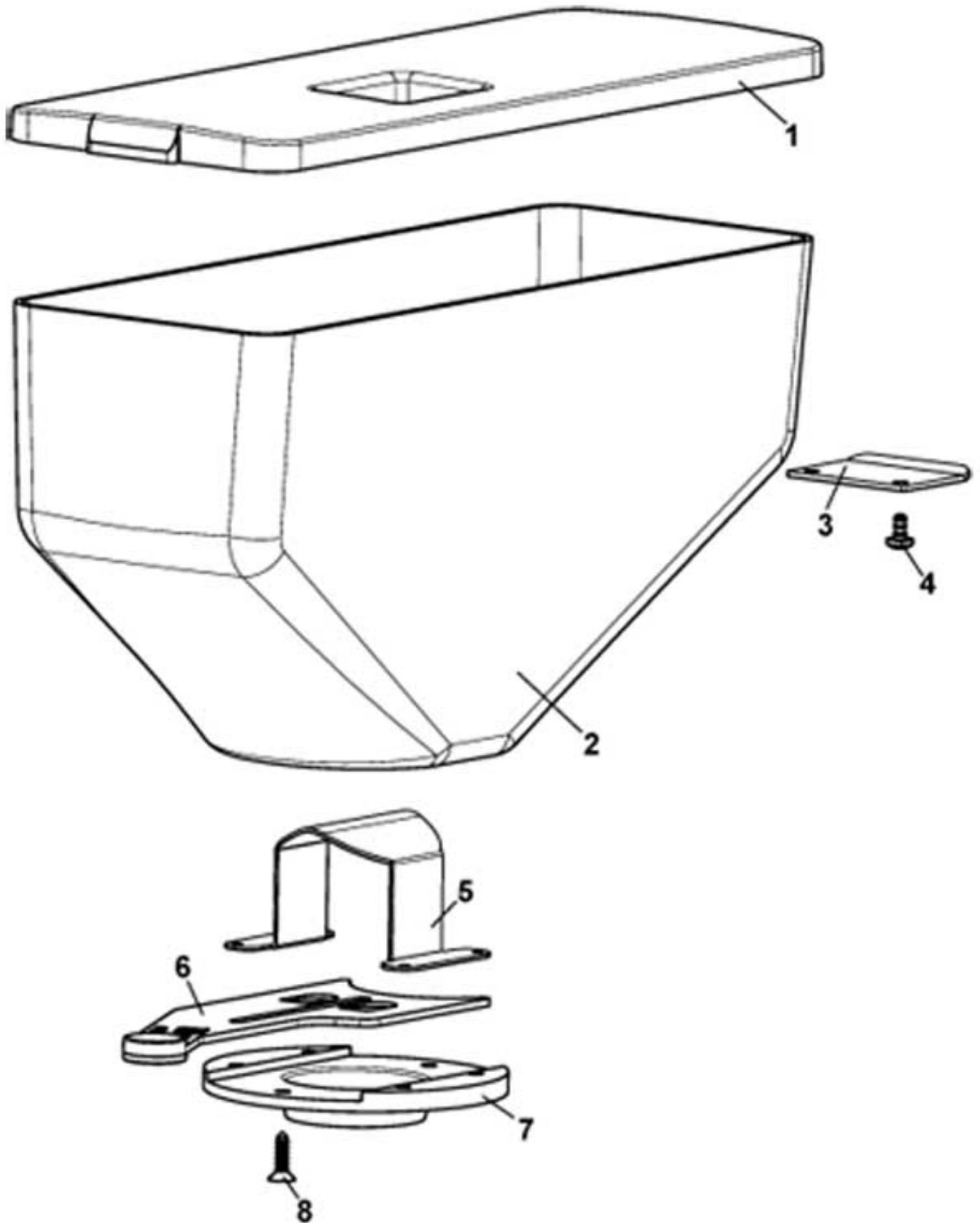


BARISTA - VERTICAL MILL GROUP

| Pos. | Code | Description |
|------|---------------|--|
| 1/a | 0320004500CL | 230V E MILL WITH REGULATION FOR COFFEE BEANS GROUP D. 36 |
| 1/b | 0320004500CL1 | 230V E MILL WITH REGULATION FOR COFFEE BEANS GROUP D. 40 |
| 2 | 0010027202 | E MILL REGULATION LEVER FOR COFFEE BEANS GROUP D. 40 |
| 3 | VIT0002001 | 2.9x 6.5 TAPPING TCB SCREW FOR COFFEE BEANS GROUP D. 40 |
| 4 | VIT0003002 | D.3.2x7x0.5 WASHER FOR COFFEE BEANS GROUP D. 40 |
| 5 | 0230015219 | RING FOR COFFEE BEANS GROUP D. 40 |

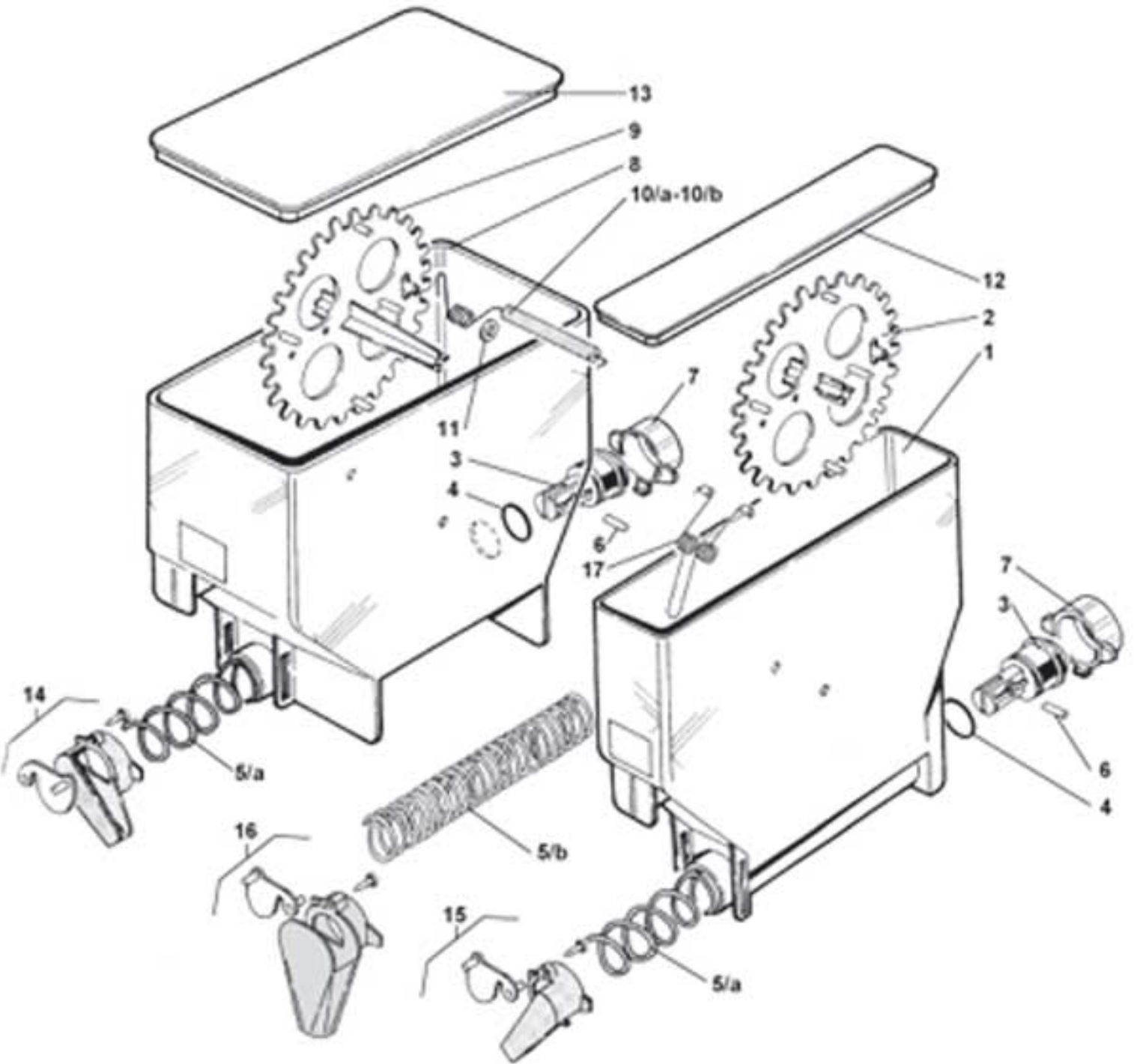


| Pos. | Code | Description |
|------|---------------|--|
| 1 | 0250008005 | R.H. FRAME |
| 2 | 0250008084 | R.H. INFUSION CHAMBER CAM |
| 3 | 0250008009 | CONNECTING ROD |
| 4 | 0250008028 | PIN FOR CONNECTING ROD |
| 5 | 0250008011 | R.H. CRANK |
| 6 | 0250008014 | MOTOR CRANK PIN |
| 7 | 0250008042 | ANTIVIBRATION WASHER |
| 8 | VIT0006515 | D.5 RADIAL STOP RING |
| 9 | 0250008031 | R.H. REAR GUIDE |
| 10 | VIT0002026 | 3.5x 6.5 STAINLESS STEEL TAPPING TCB SCREW |
| 11 | 0250008033 | FRONT GUIDE |
| 12 | 0250008006 | L.H. FRAME |
| 13 | 0250008085 | L.H. INFUSION CHAMBER CAM |
| 14 | 0250008032 | L.H. REAR GUIDE |
| 15 | 0250008086 | UPPER FILTER SUPPORT |
| 16 | 0250008024 | UPPER FILTER SPRING |
| 17 | 0250008087 | SPRING COVER PIPE |
| 18/a | 0250008026 | D.36 UPPER FILTER FOR COFFEE BEANS GROUP D. 36 |
| 18/b | 0250008208 | D.40 UPPER FILTER FOR COFFEE BEANS GROUP D. 40 |
| | 0250008208IC | |
| 19/a | 0250008099 | FILTER FOR COFFEE BEANS GROUP D. 36 |
| 19/b | 0250008211 | FILTER D.40 FOR COFFEE BEANS GROUP D. 40 |
| 20/a | VIT0001202 | M 3x14 TSP SCREW FOR COFFEE BEANS GROUP D. 40 |
| 20/b | VIT0000121 | M 3x8 TSP SCREW FOR COFFEE BEANS GROUP D. 40 |
| 21/a | GUA0000080 | SILICONE 4112 OR FOR COFFEE BEANS GROUP D. 36 |
| 21/b | GUA0000097 | SILICONE 4131 OR FOR COFFEE BEANS GROUP D. 40 |
| 22 | VIT0006513 | D.8 STAINLESS STEEL INSIDE SEEGER FOR COFFEE BEANS GROUP D. 40 |
| 23/a | 0250008046R | INFUSION CHAMBER FOR COFFEE BEANS GROUP D. 36 |
| 23/b | 0250008206R | INFUSION CHAMBER D.40 FOR COFFEE BEANS GROUP D. 40 |
| | 0250008206RIC | |
| 24 | GUA0000065 | SILICONE OR 112 FOR COFFEE BEANS GROUP D. 40 |
| 25 | 0250008053 | LOWER INLET CUP BUSH FOR COFFEE BEANS GROUP D. 40 |
| 26 | 0250008029 | GLASS BUSH PIN FOR COFFEE BEANS GROUP D. 40 |
| 27/a | 0250008108 | FILTER SUPPORT SHFT FOR COFFEE BEANS GROUP D. 40 |
| 27/b | 0250008122 | LOWER FILTER FOR COFFEE BEANS GROUP D. 36 |
| 27/c | 0250008209 | LOWER FILTER D.40 FOR COFFEE BEANS GROUP D. 40 |
| | 0250008209IC | |
| | 0250008209IC | |
| 28 | 0250008106 | LOWER FILTER ROLL SUPPORT FOR COFFEE BEANS GROUP D. 40 |
| 29 | 0250008021 | ROLL SHAFT FOR COFFEE BEANS GROUP D. 40 |
| 30 | 0250008022 | ROLL SHAFT FOR COFFEE BEANS GROUP D. 40 |
| 31 | VIT0006516 | D.3.2 RADIAL STOP RING FOR COFFEE BEANS GROUP D. 40 |
| 32 | 0250008027 | LOWER FILTER PIN FOR COFFEE BEANS GROUP D. 40 |
| 33 | 0250008083 | FILTER EJECTION CAM FOR COFFEE BEANS GROUP D. 40 |
| 34 | 0250008016 | R.H. FILTER RECOVERY CAM FOR COFFEE BEANS GROUP D. 40 |
| 35 | 0250008017 | L.H. FILTER RECOVERY CAM FOR COFFEE BEANS GROUP D. 40 |
| 36 | 0250008036 | COFFEE CONE FOR COFFEE BEANS GROUP D. 40 |
| 37 | VIT0004803 | STAINLESS STEEL NUT M4 FOR COFFEE BEANS GROUP D. 40 |
| 38 | 0250008035 | SETTING PLATE FOR COFFEE BEANS GROUP D. 40 |
| 39 | VIT0000032 | M 4x8 INOX TCB SCREW FOR COFFEE BEANS GROUP D. 40 |
| 40 | VIT0003309 | 4.3x16x1.5 STAINLESS STEEL FLAT WASHER FOR COFFEE BEANS GROUP D. 40 |
| 41 | VIT0005523 | 4x60 STAINLESS STEEL TCEI SCREW FOR COFFEE BEANS GROUP D. 40 |
| 42 | VIT0004810 | M 4 SELFLOCKING NUT FOR COFFEE BEANS GROUP D. 40 |
| 43 | VIT0002461 | SCREW TCCRT 4,2 x 26 FOR COFFEE BEANS GROUP D. 40 |
| 44 | 0250008039 | L.H. FRAME COVER FOR COFFEE BEANS GROUP D. 40 |
| | 0250008039CM | |
| | 0250008039IC | |
| 45 | 0250008048 | KEY FOR NUT FOR COFFEE BEANS GROUP D. 40 |
| 46 | 0250008110CL | WATER INLET PIPER ASSEMBLY FOR COFFEE BEANS GROUP D. 40 |
| 47 | VIT0009203 | M 3 CONNECTION FOR THERMOPLASTIC FOR COFFEE BEANS GROUP D. 40 |
| 48 | VIT0003451 | GROWER SPRING WASHER FOR COFFEE BEANS GROUP D. 40 |
| 49 | 0250008094 | SCRAPER FOR COFFEE BEANS GROUP D. 40 |
| 50 | 0250008088 | WASHER FOR CHAMBER CAM FOR COFFEE BEANS GROUP D. 40 |
| 51 | 0250008109R | D.36 LOWER FILTER+ROLL SUPPORT ASSEMBLY FOR COFFEE BEANS GROUP D. 40 |
| 52 | GUA0000061 | 2010 VITON OR FOR COFFEE BEANS GROUP D. 40 |
| 53 | 0250008107R | LOWER FILTER ROLL SUPPORT FOR COFFEE BEANS GROUP D. 40 |
| 54 | 0250008076CL | COFFEE OUTLET PIPE ASSEMBLY FOR COFFEE BEANS GROUP D. 40 |
| 100 | 0250008001R | MICRO COFFEE GROUP FOR COFFEE BEANS GROUP D. 40 |
| 101 | 0250008201R | MICRO COFFEE GROUP D.40 FOR COFFEE BEANS GROUP D. 40 |
| 102 | 0250008026R | D.36 UPPER FILTER ASSEMBLY FOR COFFEE BEANS GROUP D. 40 |
| 103 | 0250008208R | D.40 UPPER FILTER ASSEMBLY FOR COFFEE BEANS GROUP D. 40 |
| 104 | 0250008108R | D.36 LOWER FILTER FOR COFFEE BEANS GROUP D. 40 |



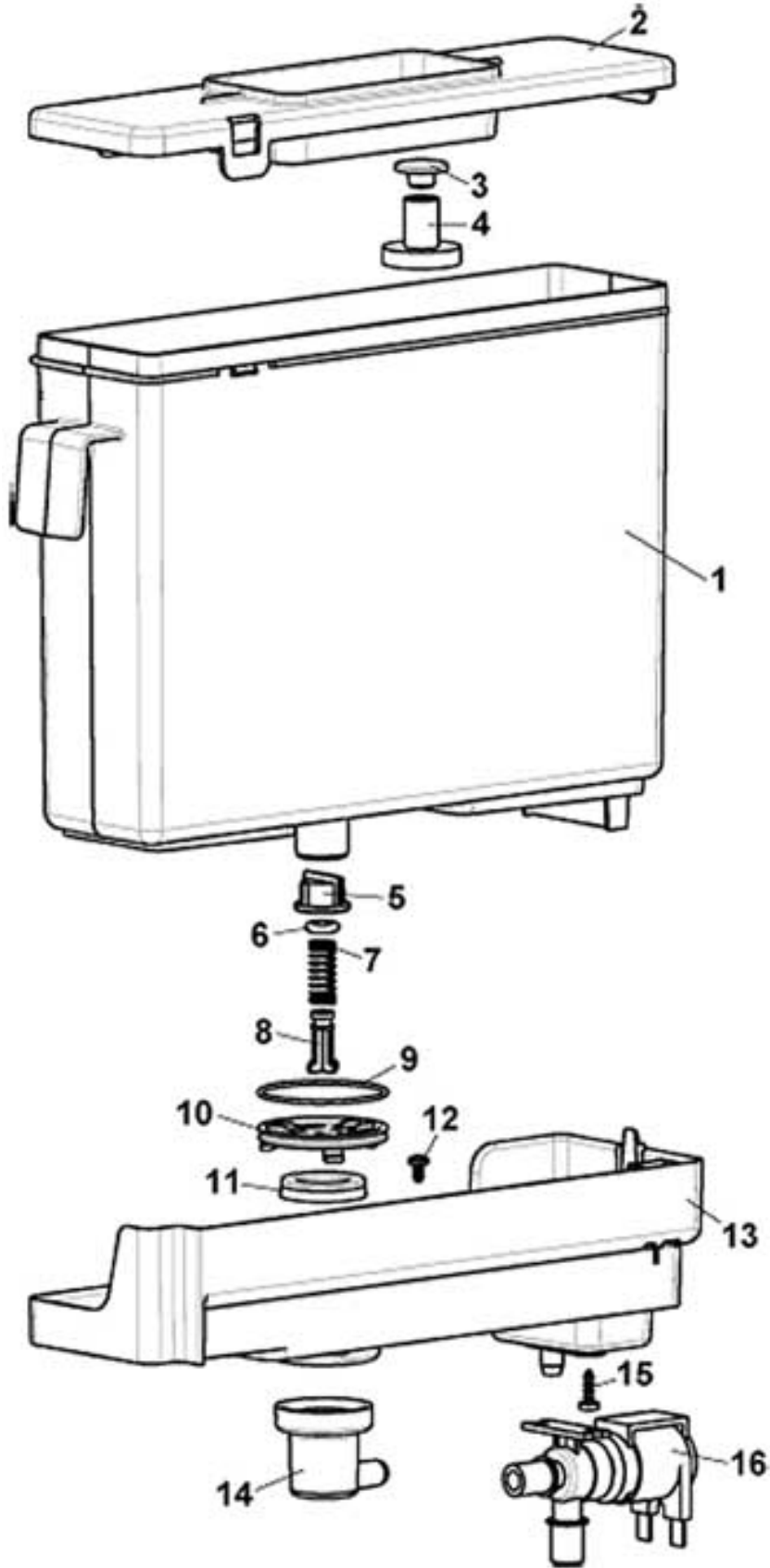
BARISTA - COFFEE BEANS CONTAINER

| Pos. | Code | Description |
|------|--------------|--------------------------------|
| 2 | 0230015213 | COFFEE CONTAINER |
| 3 | 0230015212 | COFFEE CONTAINER CONNECTION |
| 4 | VIT0002009 | TAPPING SCREW T.C.B. 3,5 x 6,5 |
| 5 | 0230015218 | SWICHT OF BEANS |
| 6 | 0230015207 | RED COFFEE CONTAINER BLADE |
| | 0230015207IC | |
| 7 | 0230015215 | COFFEE CONTAINER BOTTOM |
| 8 | VIT0002101 | 3.9x 13 TAPPING TCB SCREW |
| 100 | 0230015210CL | ASSEMBLED COFFEE CONTAINER |

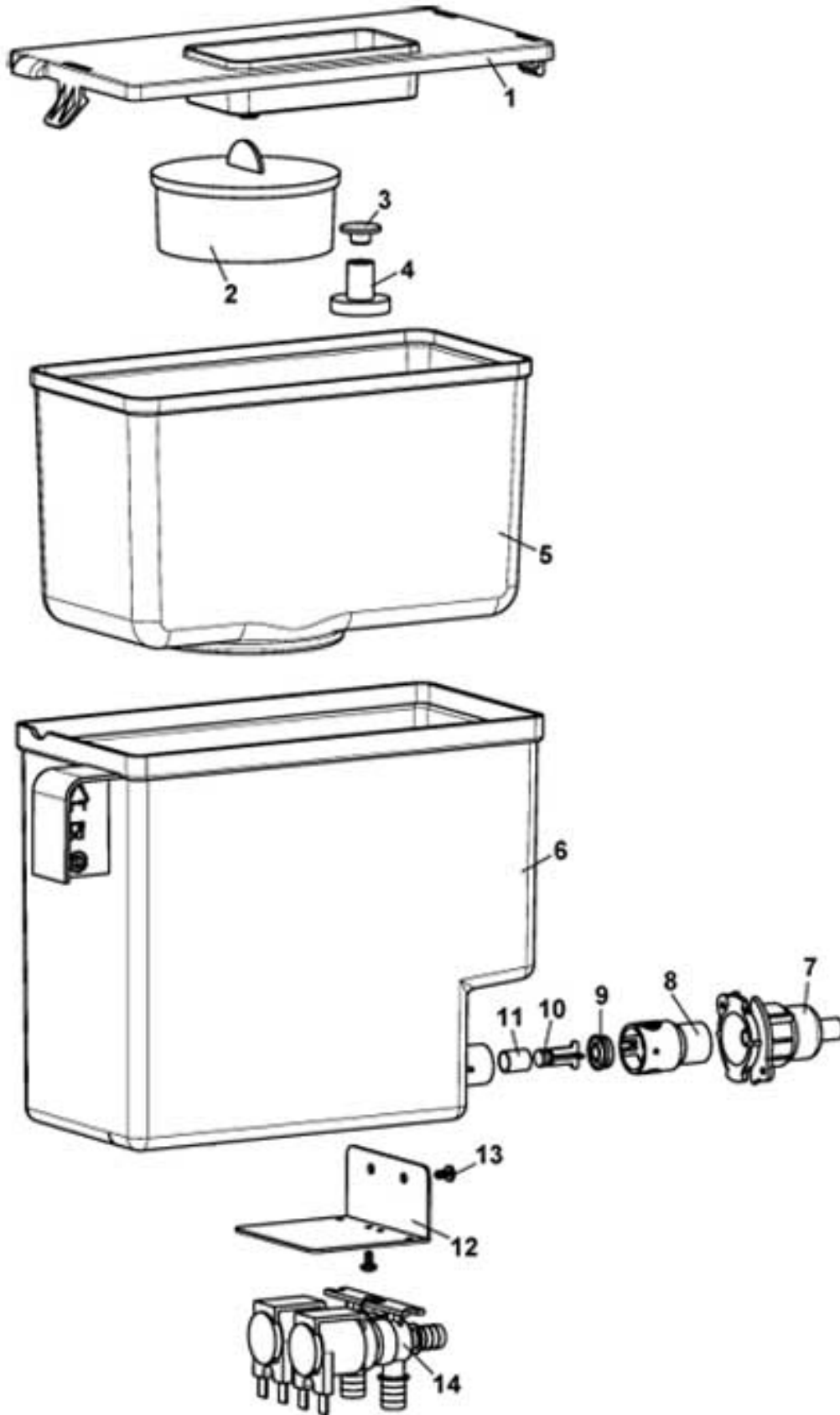


BARISTA - PRODUCTS CONTAINER

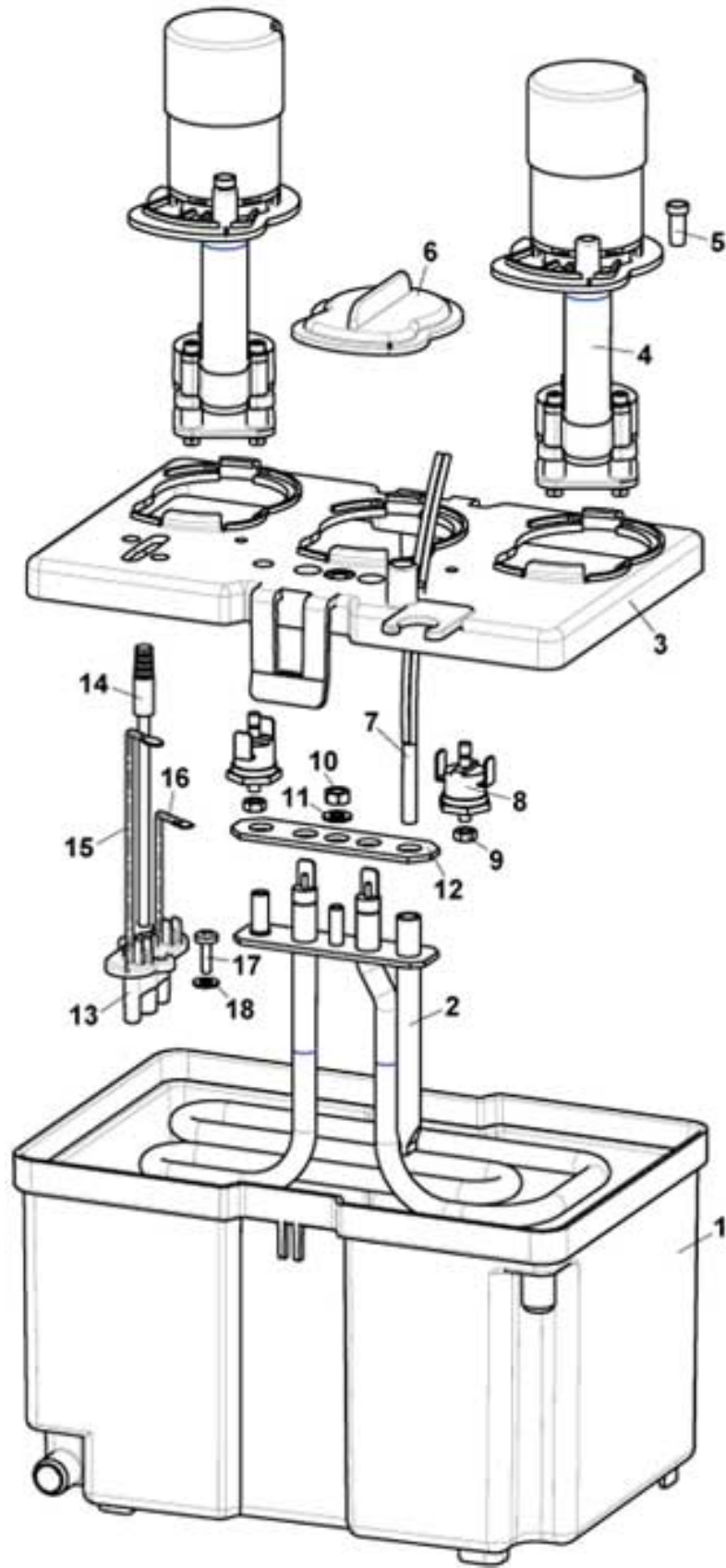
| Pos. | Code | Description |
|------|--------------|---|
| 1 | 0230030155 | PLASTIC INGREDIENT CONTAINER 55 mm. PP |
| 2 | 0230030159 | MIXER GEAR |
| | 0230030159IC | |
| 3 | 0230030012 | WORM SCREW PIN |
| 4 | GUA0000083 | OR 123 |
| 5/a | 0230030013 | WORM SCREW P. 9 |
| 5/b | 0230030014 | WORM SCREW P.18 |
| 6 | VIT0005301 | ELASTIC PIN D.2 x 14 |
| 7 | 0230030011 | REAR BUSH |
| 8 | 0230030157 | PLASTIC INGREDIENT CONTAINER 110 mm. PP |
| 9 | 0230030161 | MIXER GEAR mm.110 |
| | 0230030161IC | |
| 10/a | 0230030041 | INGREDIENT MIXER 112 mm. R.H. OUTLET |
| 10/b | 0230030042 | INGREDIENT MIXER 112 mm. L.H. OUTLET |
| 11 | VIT0003210 | STAINLESS STEEL FLAT WASHER D. 8.4 x 14 x 1.6 |
| 12 | 0230030156 | CONTAINER COVER 54 mm. |
| 13 | 0230030158 | CONTAINER COVER 110 mm. |
| 14 | 0230030018R | RIGHT CONVEYOR INGREDIENT |
| 14/a | 0230030044R | RIGHT CONVEYOR INGREDIENT |
| 15 | 0230030017R | LEFT CONVEYOR INGREDIENT |
| 15/a | 0230030043R | LEFT CONVEYOR INGREDIENT |
| 16 | 0230030019R | CONVEYOR INGREDIENT |
| 16/a | 0230030055R | CONVEYOR INGREDIENT |
| 17 | 0230030052 | ANTIBRIDGING |
| 100 | 0230030164R | CONT. PROD. PICCOLO 54 mm VSF18 C/COPERCHIO - AGITATORE.UL |
| 101 | 0230030155R | INGREDIENT CONTAINER 54 mm WORM SCREW 18 WITHOUT FEEDER |
| 102 | 0230030156R | PRODUCT CONTAINER 54 mm WORM SCREW 9 WO/FEEDER |
| 103 | 0230030157R | PROD. CONT. 110 mm WORM SCREW 112 mm WORM SCREW WO/FEEDER R.H. OUTLET |
| 104 | 0230030159R | PROD. CONT. 110 mm WORM SCREW 112 mm WORM SCREW WO/FEEDER L.H. OUTLET |
| 105 | 0230030013CL | PIN WORM SCREW P. 9 ASSEMBLED |
| 106 | 0230030014CL | PIN WORM SCREW P. 18 ASSEMBLED |



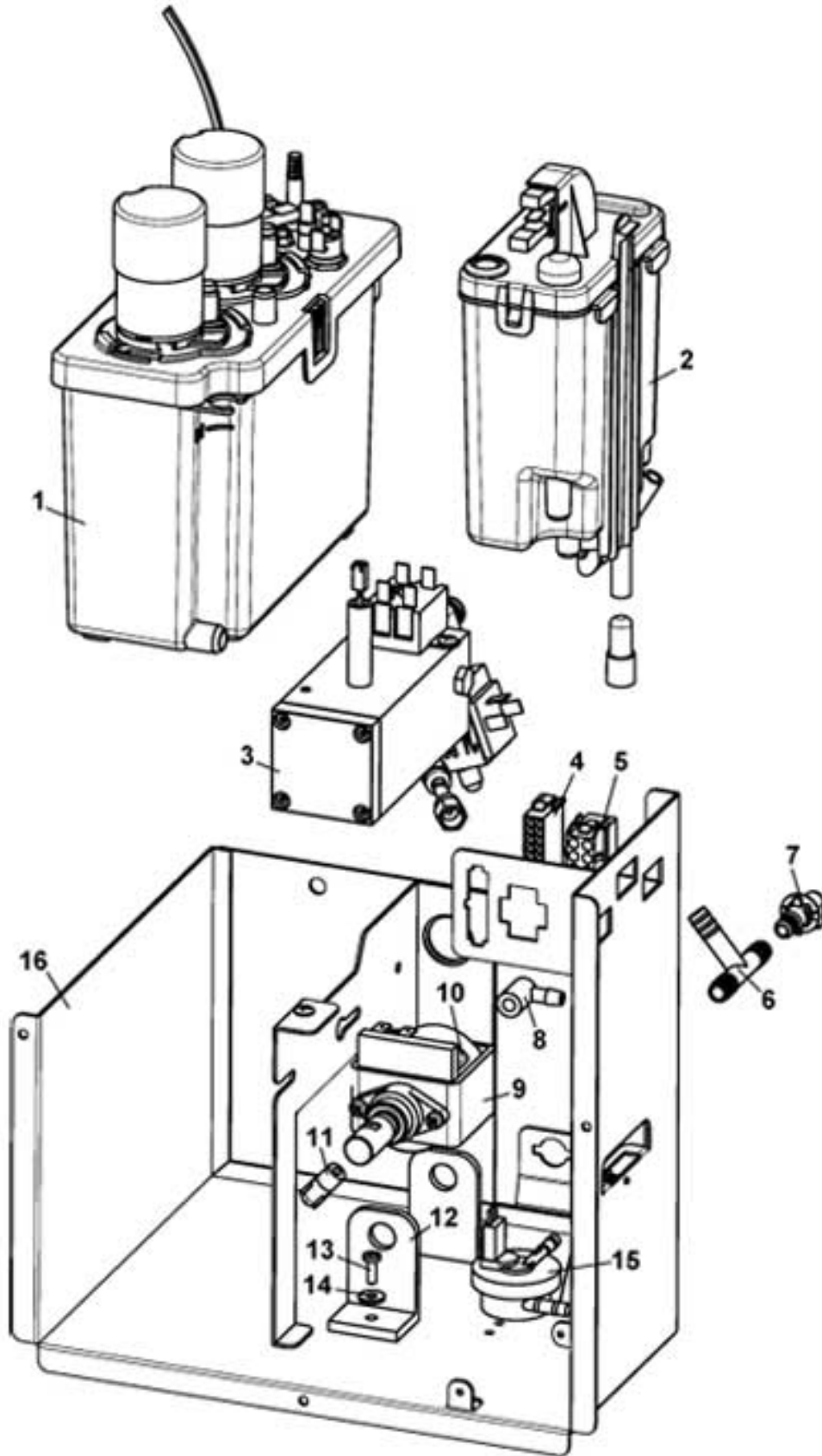
| Pos. | Code | Description |
|------|--------------|--|
| 1 | 0800012506 | WATER TANK |
| 2 | 0800012507 | COVER WATER TANK |
| 3 | 0020037045 | FLOATER "T"RAL3020 XX |
| 4 | 0020037046 | FLOATER "T"RAL3020 XX |
| 5 | 0110020011 | FILTER |
| 6 | GUA0000082 | SILICONE GASKET D.6 CORD 3 |
| 7 | 0800012012 | CLOSING PIN SPRING |
| 8 | 0800012009 | WATER TANK CLOSING PIN |
| 9 | GUA0000046 | 2137 OR |
| 10 | 0800012515 | STO GASKET RING |
| | 0800012515NA | |
| 11 | GUA0002100 | GASKET GU84-118075 SILIC. |
| 12 | VIT0002015 | STAINLESS STEEL SCREW TBC 3.5 x 9.5 INOX |
| 13 | 0800012511 | SUPPORT WATER TANK |
| 14 | 0800012512 | WATER TANK ELBOW |
| 15 | VIT0002469 | SCREW TC 3.5 x 10 FOR PLASTIC |
| 16 | 0110001103 | EV NC.2VIE S/R 24DC D.7 |
| 100 | 0800012500CL | WATER TANK ASSEMBLED POS.1+2 FROM POS.4 TO POS. 8 |
| 101 | 0800012511CL | WATER TANK ASSEMBLED SUPPORT POS.9+11 FROM POS.13 TO POS. 16 |



| Pos. | Code | Description |
|------|--------------|-----------------------------------|
| 1 | 0800012025 | COVER WATER TANK |
| | 0800012025CK | |
| 2 | 0060001010 | BRITA FILTER 180/200 |
| 3 | 0020037045 | FLOATER "T"RAL3020 XX |
| 4 | 0020037046 | FLOATER "T"RAL3020 XX |
| 5 | 0800012018 | BRITA FILTER SUPPORT |
| 6 | 0800012005 | WATER TANK |
| | 0800012005PF | |
| 7 | 0800012015 | FIXED TANK CONNECTION |
| 8 | 0800012008 | TANK CLOSING GASKET SUPPORT |
| 9 | GUA0002008 | SILICONE GASKET DE 062 |
| 10 | 0800012009 | WATER TANK CLOSING PIN |
| 11 | 0800012012 | CLOSING PIN SPRING |
| 12 | 0010027631 | 2EV SUPPORT RPE |
| 13 | VIT0002009 | TAPPING SCREW T.C.B. 3,5 x 6,5 |
| 14 | 0110001103 | EV NC.2VIE S/R 24DC D.7 |
| 100 | 0800012020R | COMPLETE KIT BRITA FILTER POS.2+5 |

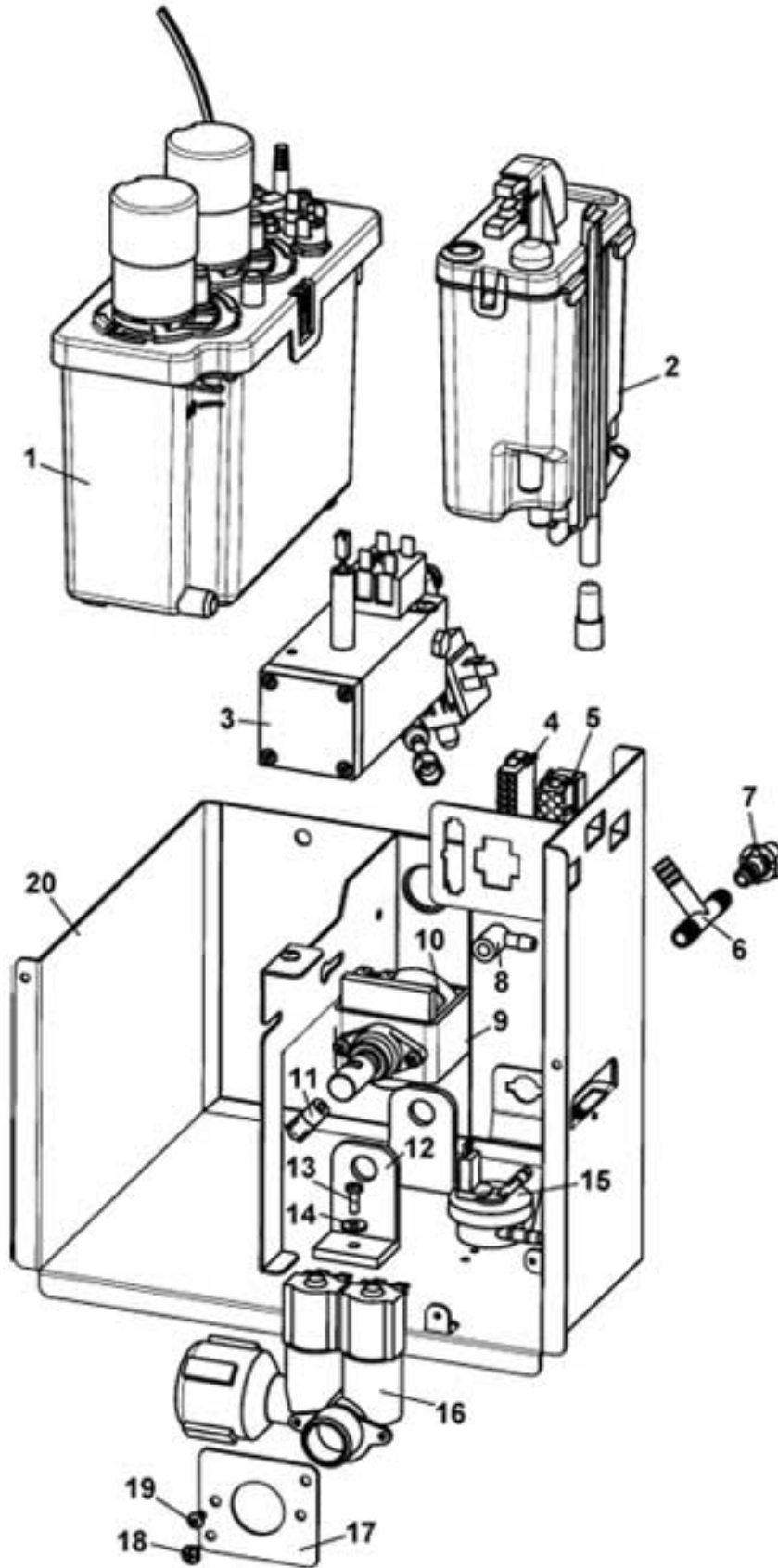


| Pos. | Code | Description |
|------|--------------|---|
| 1 | 0600016401 | BOILER TANK |
| 2 | 0600016415 | 1300W 230V HEATING ELEMENT |
| 3 | 0600016402 | BOILER COVER |
| 4 | 0600016405R | BOILER PUMP |
| 5 | 0600016425 | REDUCTION |
| 6 | 0600016422 | PUMP COVER |
| 7 | ELE0003026CL | 121° FUSE ASSEMBLED |
| 8 | ELE0000965 | MANUAL RESET THERMOSTAT 88°C |
| 9 | VIT0004816 | STAINLESS STEEL NUT M4 |
| 10 | VIT0004804 | STAINLESS STEEL NUT M5 |
| 11 | VIT0003203 | STAINLESS STEEL FLAT WASHER D.5.3 x 10 x 1 |
| 12 | 0600016038 | HEATING ELEMENT GASKET |
| 13 | 0600016059 | PROBE SUPPORT |
| 14 | ELE0000963R | PRIMA SOLUBLE PROBE |
| 15 | 0600016053 | MIN. WATER LEVEL PROBE |
| 16 | 0600016054 | MAX WATER LEVEL PROBE |
| 17 | VIT0001005 | SCREW T.C.B. M 4 x 12 |
| 18 | VIT0003211 | STAINLESS STEEL FLAT WASHER D.4,3 x 9 x 0,8 |
| 100 | 0600016400CL | BOILER ASSEMBLY 230V XX |



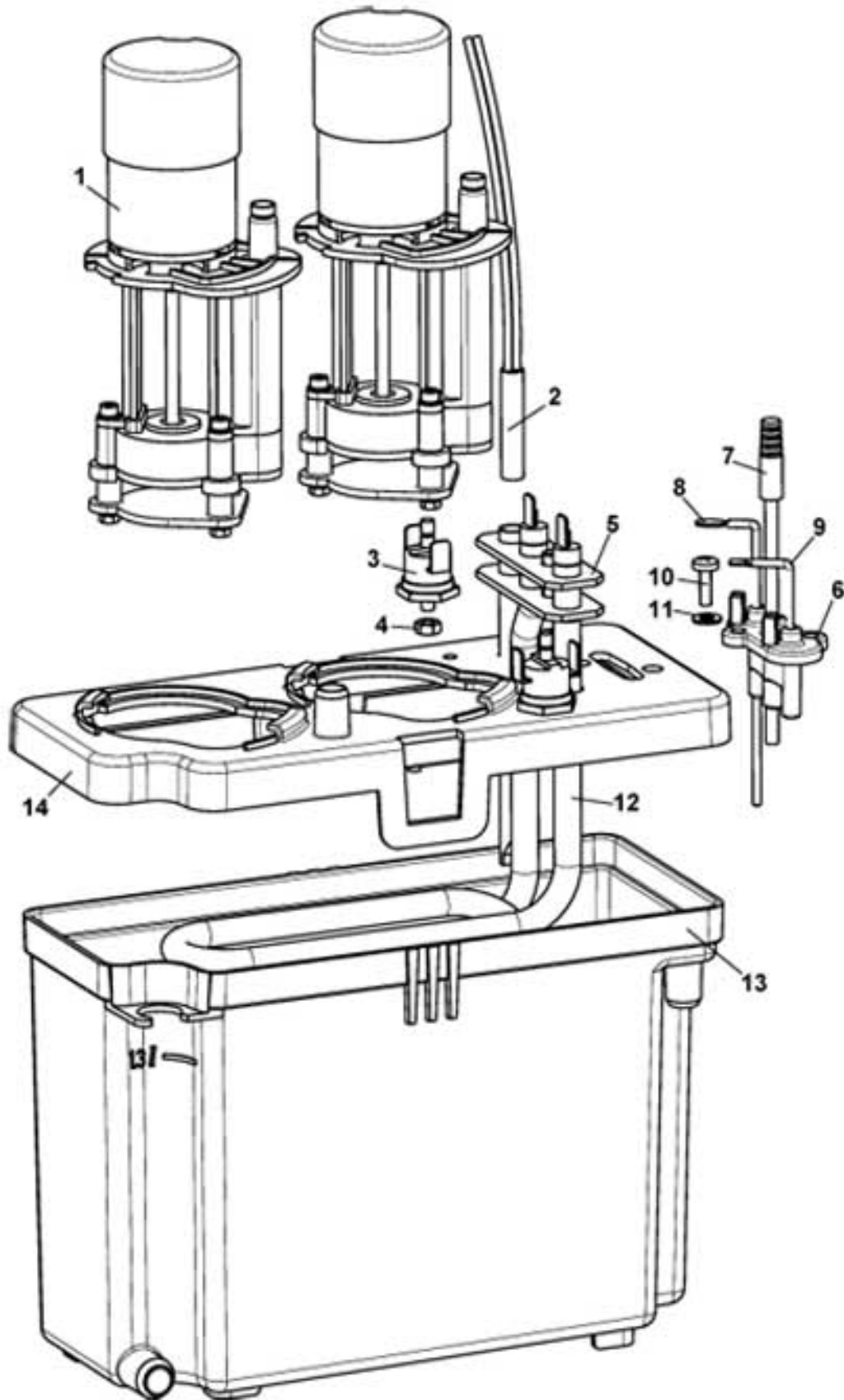
BARISTA - HYDIC COMPONENTS SUPPORT A.A.

| Pos. | Code | Description |
|------|---------------|--|
| 1 | | See table BOILER |
| 2 | | See table WATER INLET PANEL A.A. |
| 3 | | See table FLASH ITER M.S. |
| 4 | CBLXX00044 | ACTUATOR HARNESS 24V BOILER SUPPORT |
| 5 | CBLXX00045 | ACTUATOR HARNESS 230V BOILER SUPPORT |
| 6 | 0100003003 | TEE UNION |
| 7 | 0080100084 | 90° CONNECTION |
| 8 | 0110004023 | PIPETTE |
| 9/a | 0110004021 | 230V 50 HZ PUMP FOR XS CABINET FOR COFFEE BEANS GROUP D. 40 |
| 9/b | 0110004041 | FOR COFFEE BEANS GROUP D. 36 |
| 10 | ELE0000915 | THERMIC PROTECTION FOR COFFEE BEANS GROUP D. 36 |
| 11 | 0100001019 | L FITTING D.6-1/8M CON. FOR COFFEE BEANS GROUP D. 36 |
| 12 | 0110004022 | BRACKET SUPPORT FOR COFFEE BEANS GROUP D. 36 |
| 13 | VIT0000013 | M 4x12 TCB SCREW FOR COFFEE BEANS GROUP D. 36 |
| 14 | VIT0003301 | WASHER D.12 x 4.3 x 1.5 FOR COFFEE BEANS GROUP D. 36 |
| 15 | 0110007003 | VOLUME COUNTER W/RUBBERHOLDER FOR COFFEE BEANS GROUP D. 36 |
| 16 | 0010027617 | HYDRIC COMPONENTS SUPORT FOR COFFEE BEANS GROUP D. 36 |
| | 0010027617CM | |
| 100 | 0010027616CL | ASSMEBLED STANDARD COFFEE BEANS GROUP HYDRIC COMPONENTS FOR COFFEE BEANS GROUP D. 36 |
| 101 | 0010027616CL1 | ASSMEBLED BIGGER COFFEE BEANS GROUP HYDRIC COMPONENTS FOR COFFEE BEANS GROUP D. 36 |

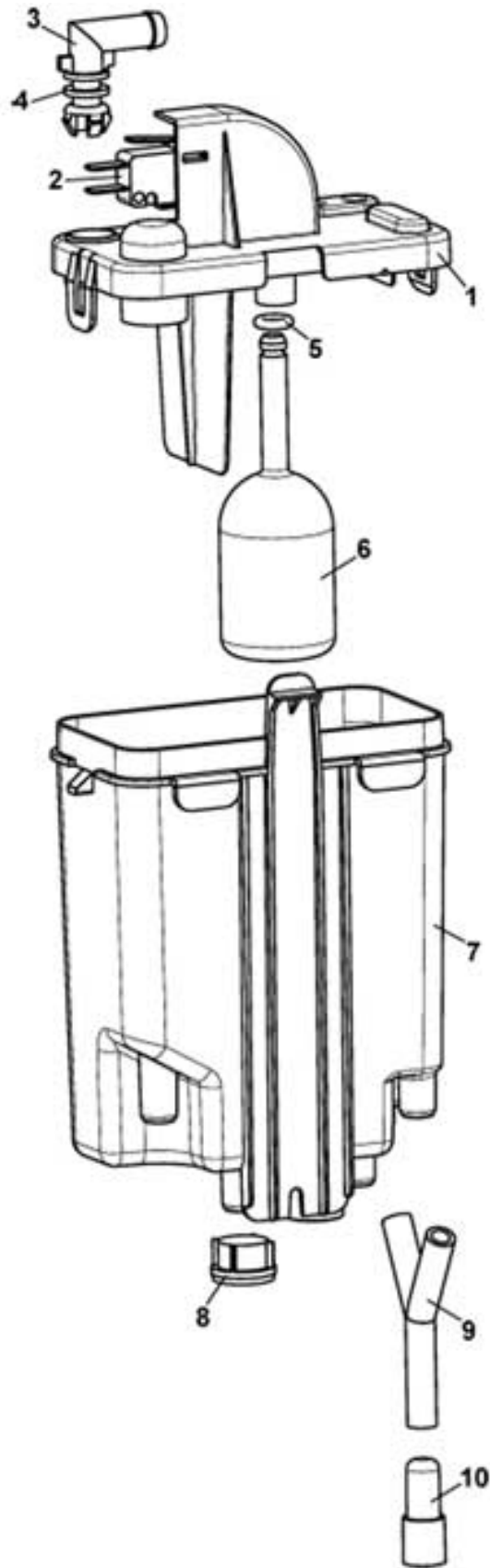


BARISTA - HYDRIC COMPONENTS SUPPORT A.R.

| Pos. | Code | Description |
|------|---------------|--|
| 1 | | See table BOILER |
| 2 | | See table WATER INLET PANEL A.R. |
| 3 | | See table FLASH ITER M.S. |
| 4 | CBLXX00044 | ACTUATOR HARNESS 24V BOILER SUPPORT |
| 5 | CBLXX00045 | ACTUATOR HARNESS 230V BOILER SUPPORT |
| 6 | 0100003015 | TEE UNION |
| 7 | 0080100084 | 90° CONNECTION |
| 8 | 0110004023 | PIPETTE |
| 9/a | 0110004021 | 230V 50 HZ PUMP FOR XS CABINET FOR COFFEE BEANS GROUP D. 40 |
| 9/b | 0110004041 | FOR COFFEE BEANS GROUP D. 36 |
| 10 | ELE0000915 | THERMIC PROTECTION FOR COFFEE BEANS GROUP D. 36 |
| 11 | 0100001019 | L FITTING D.6-1/8M CON. FOR COFFEE BEANS GROUP D. 36 |
| 12 | 0110004022 | BRACKET SUPPORT FOR COFFEE BEANS GROUP D. 36 |
| 13 | VIT0000013 | M 4x12 TCB SCREW FOR COFFEE BEANS GROUP D. 36 |
| 14 | VIT0003301 | WASHER D.12 x 4.3 x 1.5 FOR COFFEE BEANS GROUP D. 36 |
| 15 | 0110007003 | VOLUME COUNTER W/RUBBERHOLDER FOR COFFEE BEANS GROUP D. 36 |
| 16 | 0110001109 | EV.DIS.SICUR.2VIE MOD.24VDC FOR COFFEE BEANS GROUP D. 36 |
| 17 | 0010027620 | WATER INLET VALVE SUPPORT FOR COFFEE BEANS GROUP D. 36 |
| 18 | VIT0002401 | TAPPING SCREW TCB 3.5 x 9.5 FOR COFFEE BEANS GROUP D. 36 |
| 19 | VIT0002005 | 3.9x 9.5 TAPPING TCB SCREW FOR COFFEE BEANS GROUP D. 36 |
| 20 | 0010027617 | HYDRIC COMPONENTS SUPORT FOR COFFEE BEANS GROUP D. 36 |
| | 0010027617CM | |
| 100 | 0010027615CL | ASSMEBLED STANDARD COFFEE BEANS GROUP HYDRIC COMPONENTS FOR COFFEE BEANS GROUP D. 36 |
| 101 | 0010027615CL1 | ASSMEBLED BIGGER COFFEE BEANS GROUP HYDRIC COMPONENTS FOR COFFEE BEANS GROUP D. 36 |

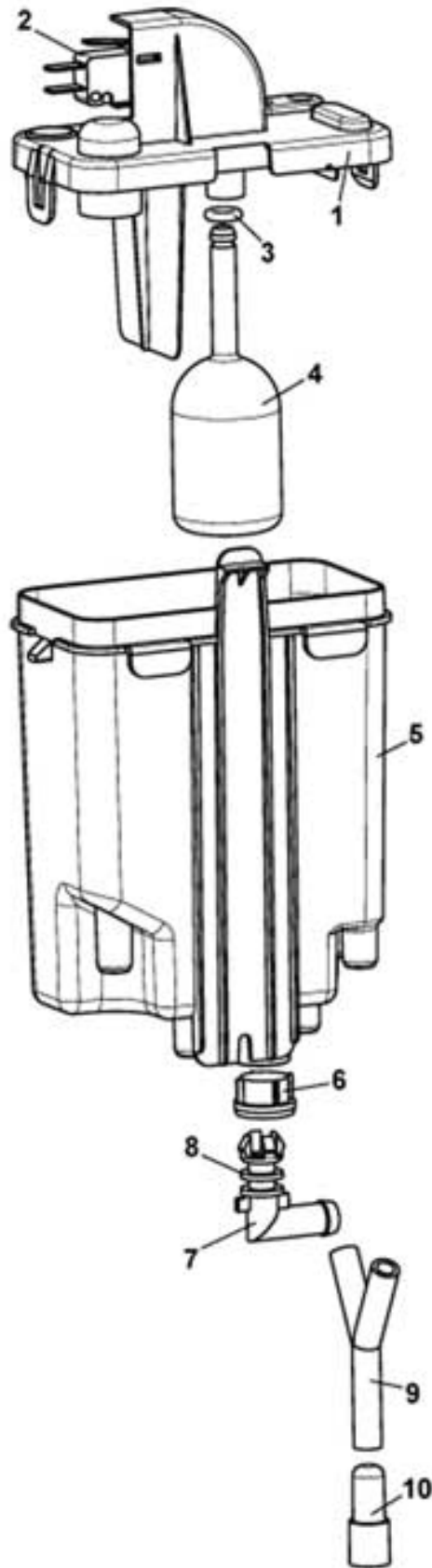


| Pos. | Code | Description |
|------|--------------|---|
| 1 | 0600016405R | BOILER PUMP |
| 2 | ELE0003026CL | 121° FUSE ASSEMBLED |
| 3 | ELE0000965 | MANUAL RESET THERMOSTAT 88°C |
| 4 | VIT0004816 | STAINLESS STEEL NUT M4 |
| 5 | 0600016468 | HEATING ELEMENT GASKET |
| 6 | 0600016059 | PROBE SUPPORT |
| 7 | ELE0000963 | |
| 8 | 0600016053 | MIN. WATER LEVEL PROBE |
| 9 | 0600016054 | MAX WATER LEVEL PROBE |
| 10 | VIT0001005 | SCREW T.C.B. M 4 x 12 |
| 11 | VIT0003211 | STAINLESS STEEL FLAT WASHER D.4,3 x 9 x 0,8 |
| 12 | 0600016469 | 1300 W 230 V HEATING ELEMENT |
| 13 | 0600016451 | 2 PUMPS BOILER TANK |
| 14 | 0600016452 | 2 PUMPS BOILER COVER |
| 100 | 0600016450R | 2 PUMP BOILER ASSEMBLY 230V |



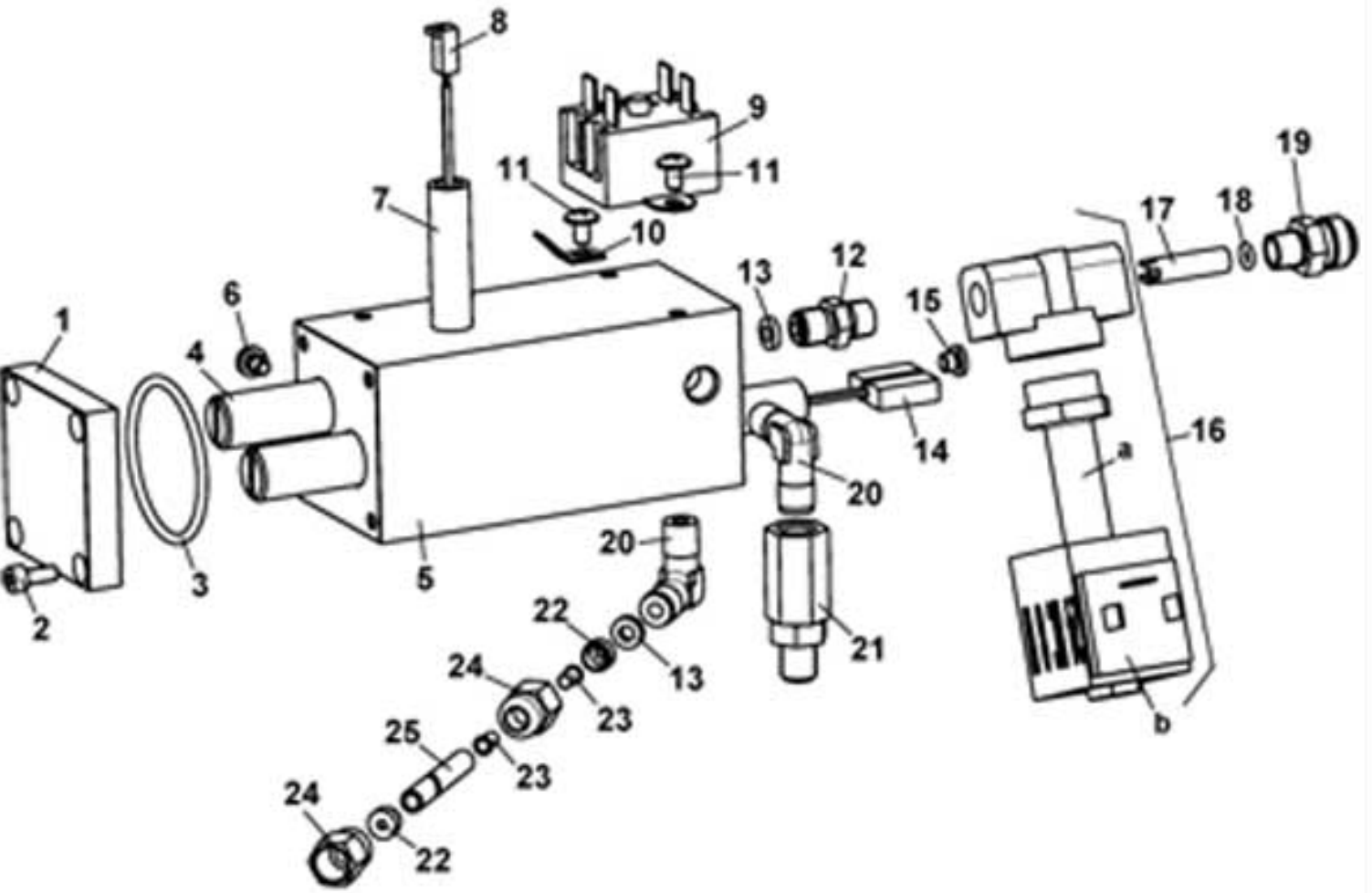
BARISTA - WATER INLET PANEL A.A.

| Pos. | Code | Description |
|------|--------------|-----------------------------|
| 1 | 0800013043 | TANK COVER |
| 2 | ELE0001514 | 3 A 250 V MICROSWITCH |
| 3 | 0800009211 | ELBOW WITH RAPID CONNECTION |
| 4 | GUA0000043 | OR 109 |
| 5 | GUA0000082 | SILICONE GASKET D.6 CORD 3 |
| 6 | 0800013046 | FLOATER TANK |
| 7 | 0800013041 | TANK |
| 8 | 0110020007 | D.20 PLASTIC FILTER |
| 9 | 0100001065 | 'Y' FITTING |
| 10 | 650001057 | BOILER DISCHARGE PLUG |
| 100 | 0800013040CL | TANK A.A. |

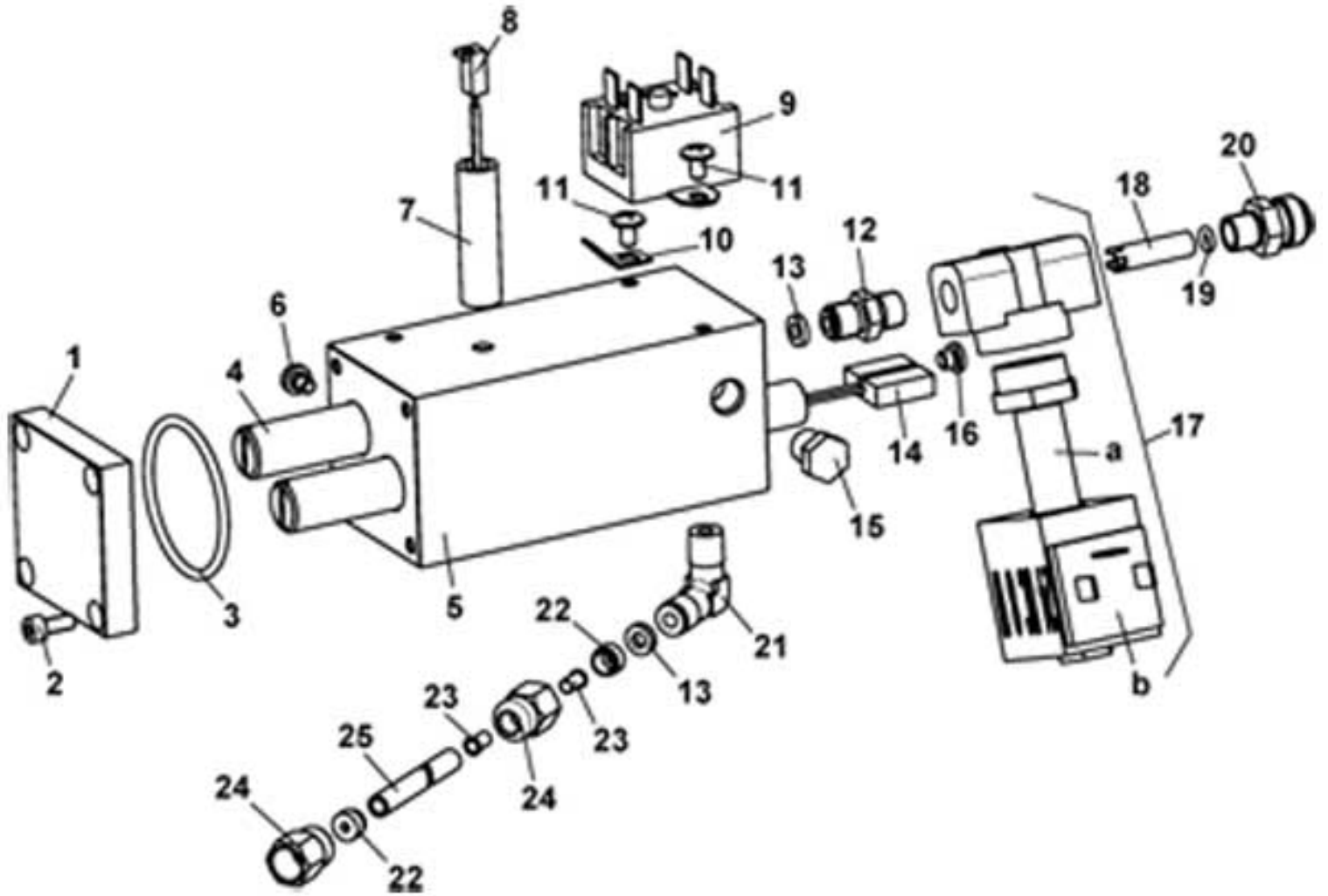


BARISTA - WATER INLET PANEL A.R.

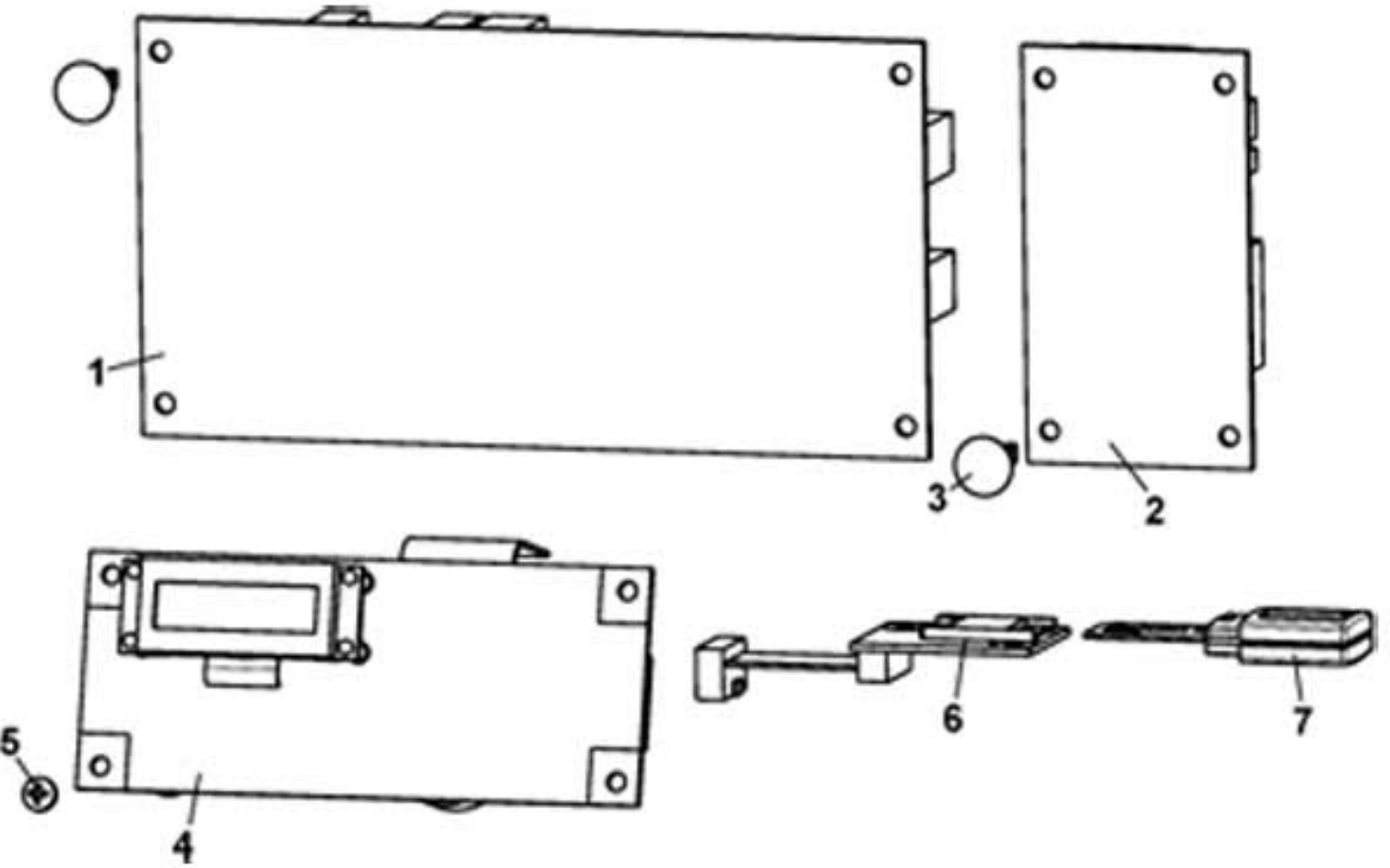
| Pos. | Code | Description |
|------|---------------|-----------------------------|
| 1 | 0800013043 | TANK COVER |
| 2 | ELE0001514 | 3 A 250 V MICROSWITCH |
| 3 | GUA0000082 | SILICONE GASKET D.6 CORD 3 |
| 4 | 0800013046 | FLOATER TANK |
| 5 | 0800013041 | TANK |
| 6 | 0110020007 | D.20 PLASTIC FILTER |
| 7 | 0800009211 | ELBOW WITH RAPID CONNECTION |
| 8 | GUA0000043 | OR 109 |
| 9 | 0100001065 | 'Y' FITTING |
| 10 | 650001057 | BOILER DISCHARGE PLUG |
| 100 | 0800013040CL1 | TANK A.R. |



| Pos. | Code | Description |
|------|-------------|------------------------------------|
| 1 | 0600019162 | EXCHANGE FLANGE |
| 2 | VIT0005511 | 4x10 TCEI SCREW |
| 3 | GUA0000099 | 3162 OR VITON |
| 4 | 0600019154 | CERAMICS CARTRIDGE D.14,5 L92,5 |
| 5 | 0600019163 | HEAT EXCHANGE |
| 6 | 4060010126 | PLASTIC COIN DRAWER BOX |
| 7 | TSIL07/11T | TRANSPARENT SILICONE PIPE D.7 x 11 |
| 8 | ELE0000930 | NTC 10K/TE PROBE |
| 9 | ELE0009031 | BIPOLAR THERMOSTAT 145° |
| 10 | 0600019012 | MASS BLOCK |
| 11 | VIT0000030 | SCREW TCB M4 x 7 |
| 12 | 0100001017 | STRAIGHT CONNECTION D.6-1/8M CON. |
| 13 | 0100003002 | COPPER GASKET |
| 14 | 0600019157 | HEATING CARTRIDGE 700W 230V |
| 15 | 0100001078 | MAN CAP M5 WITH OR VITON |
| 16 | 0110001072 | 24 DC 1/8 3-WAY VALVE |
| 16/a | 0110010035 | 3-WAY VALVE SLEEVE |
| 16/b | 0110010065 | 8W 24 D.C. COIL |
| 17 | 0110003122 | OR SPACER |
| 18 | GUA0000069 | 2015 OR |
| 19 | 0110003121 | WATER OUTLET UNION |
| 20 | 0100001019 | L FITTING D.6-1/8M CON. |
| 21 | 0110002009 | SAFETY VALVE |
| 22 | 0100002002 | LOCKING RING D.6 |
| 23 | 0100002005 | STRENGTHENING BUSH D.4 |
| 24 | 0100001002 | NUT FOR PIPE FITTING D.6 |
| 25 | TNAY000001 | D.6*4 POLYAMIDE PIPE |
| 100 | 0600019160R | STD ASSEMBLED HEAT EXCHANGE |



| Pos. | Code | Description |
|------|--------------|------------------------------------|
| 1 | 0600019162 | EXCHANGE FLANGE |
| 2 | VIT0005511 | 4x10 TCEI SCREW |
| 3 | GUA0000099 | 3162 OR VITON |
| 4 | 0600019154 | CERAMICS CARTRIDGE D.14,5 L92,5 |
| 5 | 0600019163 | HEAT EXCHANGE |
| 6 | 4060010126 | PLASTIC COIN DRAWER BOX |
| 7 | TSIL07/11T | TRANSPARENT SILICONE PIPE D.7 x 11 |
| 8 | ELE0000930 | NTC 10K/TE PROBE |
| 9 | ELE0009031 | BIPOLAR THERMOSTAT 145° |
| 10 | 0600019012 | MASS BLOCK |
| 11 | VIT0000030 | SCREW TCB M4 x 7 |
| 12 | 0100001017 | STRAIGHT CONNECTION D.6-1/8M CON. |
| 13 | 0100003002 | COPPER GASKET |
| 14 | 0600019157 | HEATING CARTRIDGE 700W 230V |
| 15 | 4600020115 | PLUG |
| 16 | 0100001078 | MAN CAP M5 WITH OR VITON |
| 17 | 0110001072 | 24 DC 1/8 3-WAY VALVE |
| 17/a | 0110010035 | 3-WAY VALVE SLEEVE |
| 17/b | 0110010065 | 8W 24 D.C. COIL |
| 18 | 0110003122 | OR SPACER |
| 19 | GUA0000069 | 2015 OR |
| 20 | 0110003121 | WATER OUTLET UNION |
| 21 | 0100001019 | L FITTING D.6-1/8M CON. |
| 22 | 0100002002 | LOCKING RING D.6 |
| 23 | 0100002005 | STRENGTHENING BUSH D.4 |
| 24 | 0100001002 | NUT FOR PIPE FITTING D.6 |
| 25 | TNAY000001 | D.6*4 POLYAMIDE PIPE |
| 100 | 0600019160R1 | MM ASSEMBLED HEAT EXCHANGE |



| Pos. | Code | Description |
|------|--------------|---|
| 1 | SCH0006600 | CPU POWER |
| 2 | SCH0006620 | CPU EXPANSION ONLY FOR ESPRESSO VERSIONS |
| 3 | ELE0062013 | BOARD SUPPORT ONLY FOR ESPRESSO VERSIONS |
| 4 | SCH0005840 | DISPLAY BOARD ONLY FOR ESPRESSO VERSIONS |
| 5 | VIT0002009 | TAPPING SCREW T.C.B. 3,5 x 6,5 ONLY FOR ESPRESSO VERSIONS |
| 6 | SCH0005860 | FLASH BOARD ONLY FOR ESPRESSO VERSIONS |
| 7 | 0020040310CL | RHEA FLASH MEMORY ONLY FOR ESPRESSO VERSIONS |