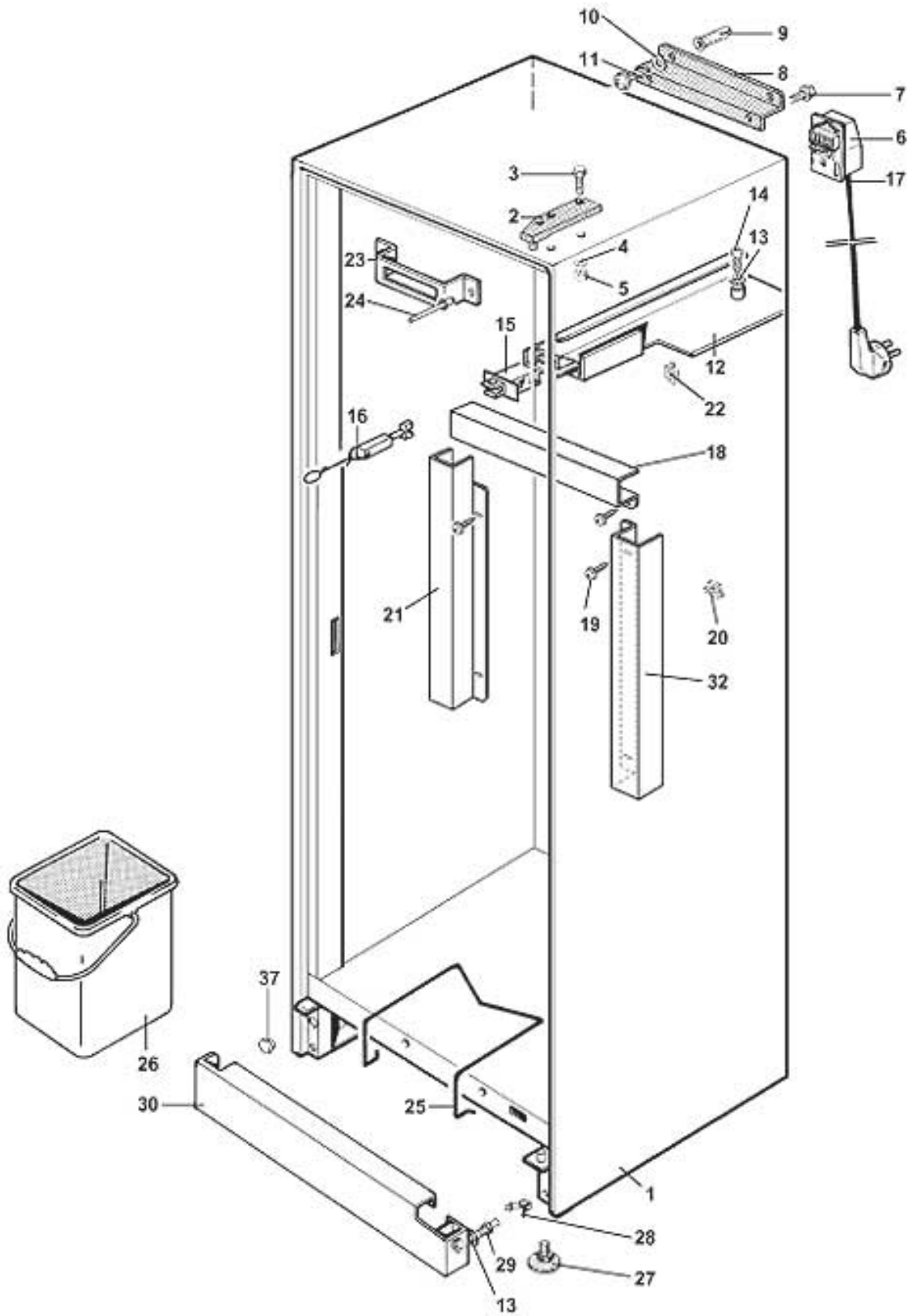


vending machine

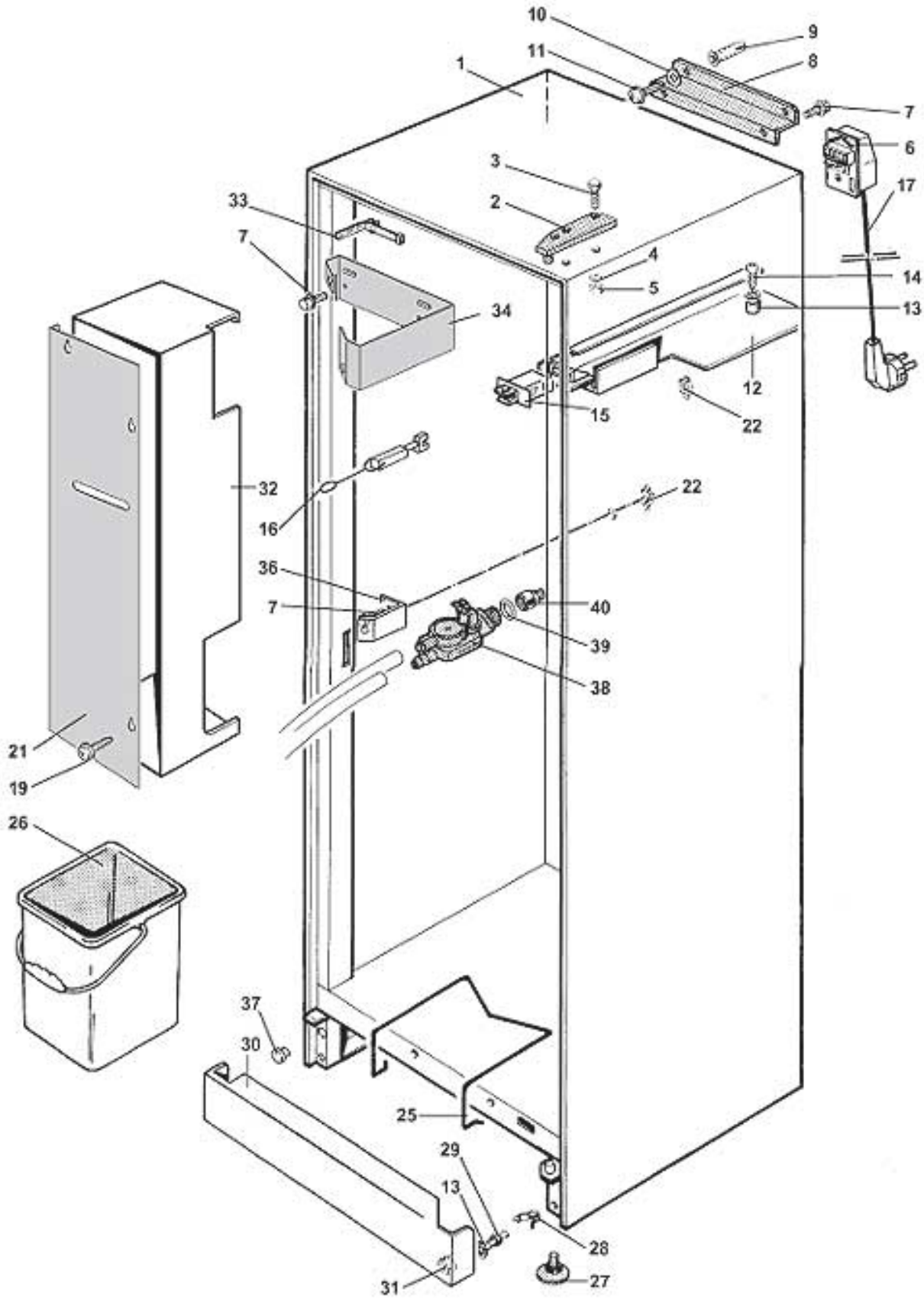
# [ECO LUCE]



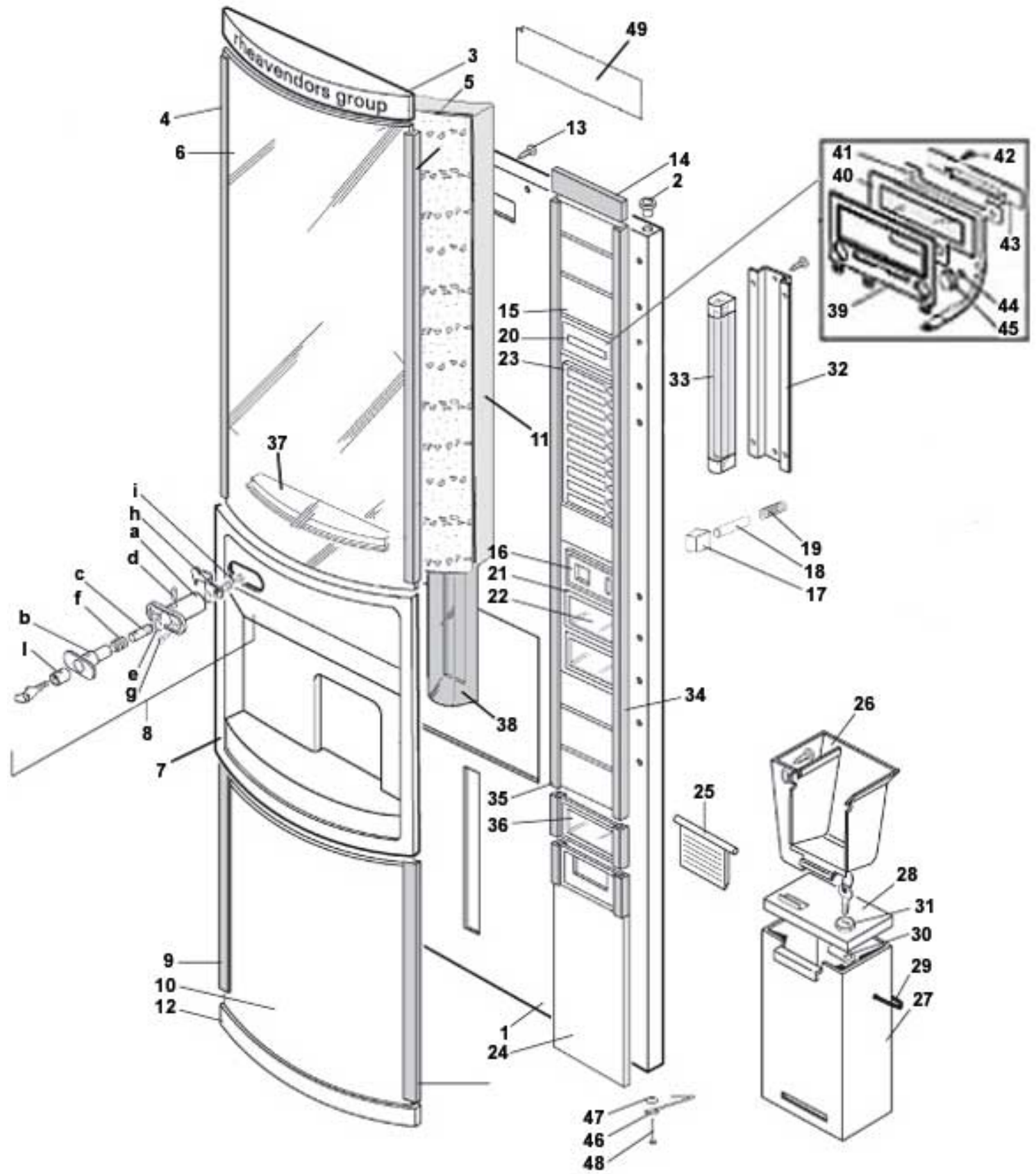
spare parts manual



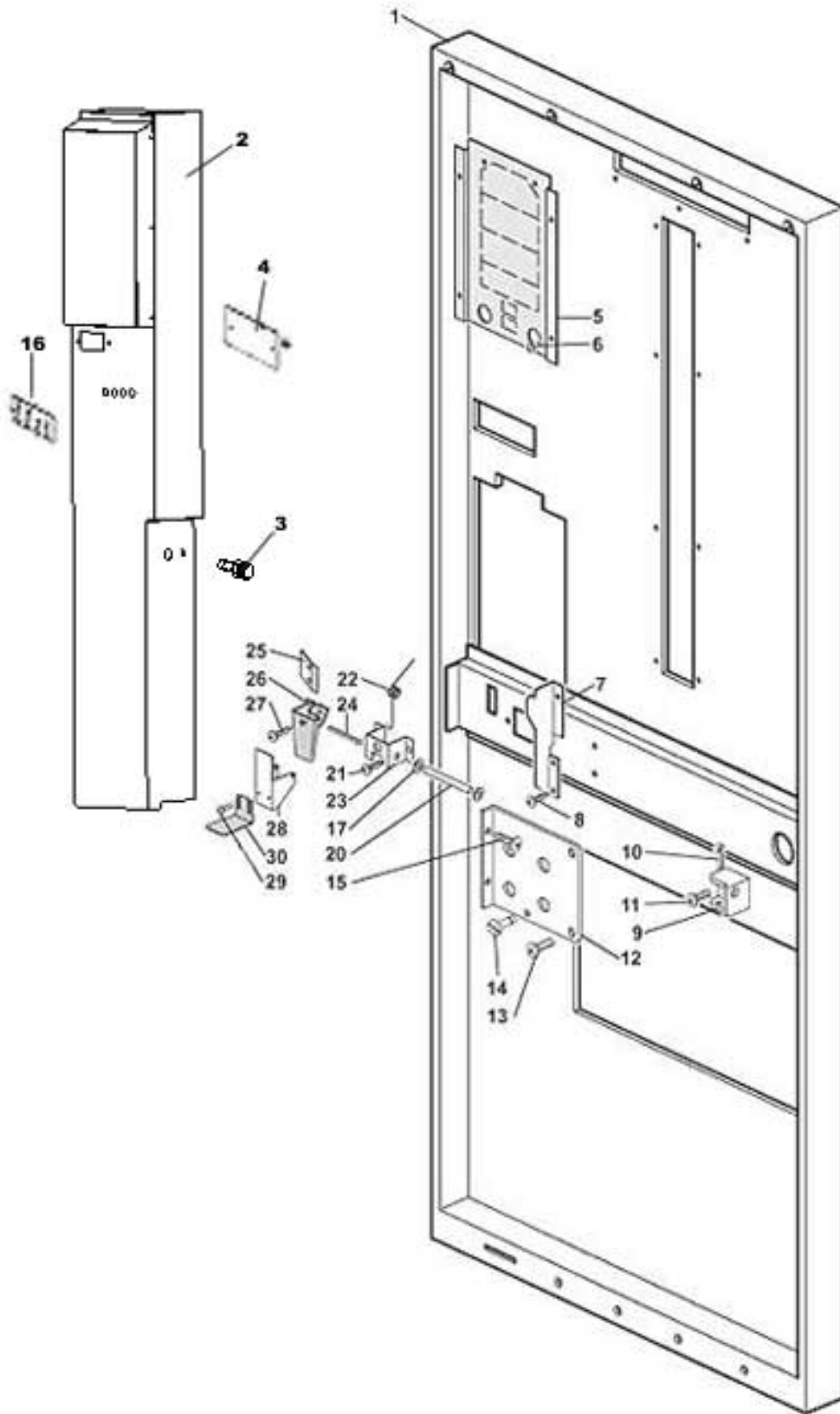
Pos.	Code	Description
1	0010014355	SAGOMA H CABINET STRUCTURE
	0010014355AE	
	0010014355CF	
	0010014355CG	
	0010014355CH	
	0010014355CM	
	0010014355CN	
	0010014355GF	
	0010014355KE	
	0010014355NA	
2	0010013191	UPPER HINGE
	0010013191AE	
	0010013191CF	
	0010013191CG	
	0010013191CH	
	0010013191CM	
	0010013191CN	
	0010013191GF	
	0010013191KE	
	0010013191NA	
3	VIT0000215	SCREW TE M8x25
4	VIT0003106	WASHER tab D. 8
5	VIT0004506	M 8 NUT
6	ELE0002410	EXTERNAL TRIPOLAR TERMINAL BLOCK
7	VIT0000236	E.H SCREW M 6 x 11 + FR
8	0010014074	DISPENSER SECURING BRACKET
9	VIT0010701	TPF 8 x 50 DOWEL
10	VIT0003303	WASHER D.6,5 x 18 x 1,5
11	VIT0002022	5.5x 60 TAPPING TCB SCREW
12	0270011472	DOOR SWITCH SUPPORT
13	VIT0003103	WASHER tab D. 4.3
14	VIT0000013	M 4x12 TCB SCREW
15	ELE0002009	SAFETY SWITCH
16	0270011109CL	SERVICE KEY ASSEMBLY
17	ELE0055003	POWER LEAD H05VVF 3 x 1.5 SCHUKO PLUG
17/a	ELE0055004	POWER LEAD H0VV-F 3 x 1.5 SC PLUG
17/b	ELE0055006	POWER LEAD H05VVF 3 x 1.5 GB PLUG
18	0010014257	HORIZONTAL LEFT CABLES PROTECTION
19	VIT0000030	SCREW TCB M4 x 7
20	VIT0009109	M 4 NUT IN RETAINER
21	0010014256	R.H. CABLES PROTECTION E5
22	VIT0009102	M 6 NUT IN RETAINER
23	0010014084	
24	VIT0007021	3 x 6 ALUMINIUM RIVET
25	0010014063	RING FOR BIN
26	CON0000201	RECTANGULAR BIN
27	VIT0010501	SETTING PLATT ES.M 8 x 22 D.30 BLACK
28	VIT0009152	CONNECTION
29	VIT0009151	PIN
30	0120004375	FRONT PROTECTION
	0120004375AE	
	0120004375CF	
	0120004375CG	
	0120004375CH	
	0120004375CM	
	0120004375CN	
	0120004375GF	
	0120004375KE	
	0120004375NA	
31		
32	0010014258	VERTICAL LEFT CABLES PROTECTION
33		
34		
35		
36		
37	0020018061	BUTTON PLUG



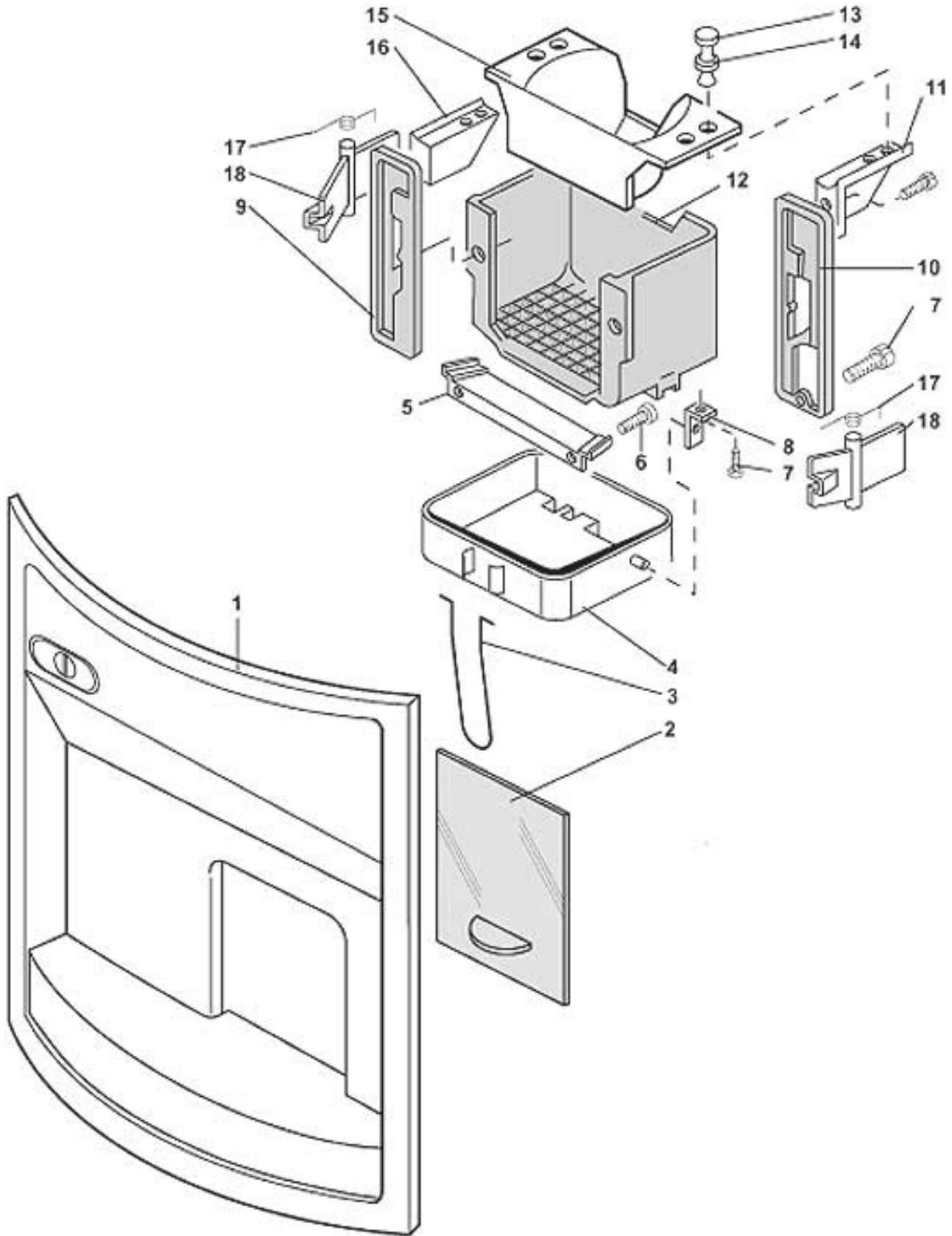
Pos.	Code	Description	*
1	0010014375	SAGOMA H CABINET STRUCTURE	*
	0010014375AE		
	0010014375CF		
	0010014375CG		
	0010014375CH		
	0010014375CM		
	0010014375CN		
	0010014375GF		
	0010014375KE		
	0010014375NA		
2	0010013191	UPPER HINGE	
	0010013191AE		
	0010013191CF		
	0010013191CG		
	0010013191CH		
	0010013191CM		
	0010013191CN		
	0010013191GF		
	0010013191KE		
	0010013191NA		
3	VIT0000215	SCREW TE M8x25	
4	VIT0003106	WASHER tab D. 8	
5	VIT0004506	M 8 NUT	
6	ELE0002410	EXTERNAL TRIPOLAR TERMINAL BLOCK	
7	VIT0000236	E.H SCREW M 6 x 11 + FR	
8	0010014074	DISPENSER SECURING BRACKET	
9	VIT0010701	TPF 8 x 50 DOWEL	
10	VIT0009152	CONNECTION	
11	VIT0002022	5.5x 60 TAPPING TCB SCREW	
12	0270011472	DOOR SWITCH SUPPORT	
13	VIT0003103	WASHER tab D. 4.3	
14	VIT0000012	SCREW T.C.B. M 4 x 10	
15	ELE0002009	SAFETY SWITCH	
16	0270011109CL	SERVICE KEY ASSEMBLY	
17/a	ELE0055003	POWER LEAD H05VV-F 3 x 1.5 SCHUKO PLUG	
17/b	ELE0055004	POWER LEAD H0VV-F 3 x 1.5 SC PLUG	
17/c	ELE0055006	POWER LEAD H05VV-F 3 x 1.5 GB PLUG	
19	VIT0000030	SCREW TCB M4 x 7	
21/a	0010014213	COVER PROTECTION H/5	
21/b	0010014280	COVER PROTECTION H/6	
22	VIT0009102	M 6 NUT IN RETAINER	
25	00100014063		
26	CON0000201	RECTANGULAR BIN	
27	VIT0010501	SETTING PLATT ES.M 8 x 22 D.30 BLACK	
28	VIT0009152	CONNECTION	
29	VIT0009151	PIN	
30	0120004375	FRONT PROTECTION	
	0120004375AE		
	0120004375CF		
	0120004375CG		
	0120004375CH		
	0120004375CM		
	0120004375CN		
	0120004375GF		
	0120004375KE		
	0120004375NA		
31	VIT0004503	NUT M 4	
32/a	0010014207CL	BOILER PROTECTION	
32/b	0010014212	BOILER PROTECTION SAG H5	
32/c	0010014279	BOILER PROTECTION H6	
33	FASC000501	CLIP WIYH DOCKING	
34	0600012614	BOILER UPPER SUPPORT	
35	FASC000302	LOCK	
36	0600012615	BOILER LOWER SUPPORT	
37	0020018061	BUTTON PLUG	
38	0110001039	24 DC INLET VALVE W/SAFETY DEV.	
39	GUA0000021	OR 130	
40	0010019223	3/8 GAS M WATER INLET VALVE CONNECTION	



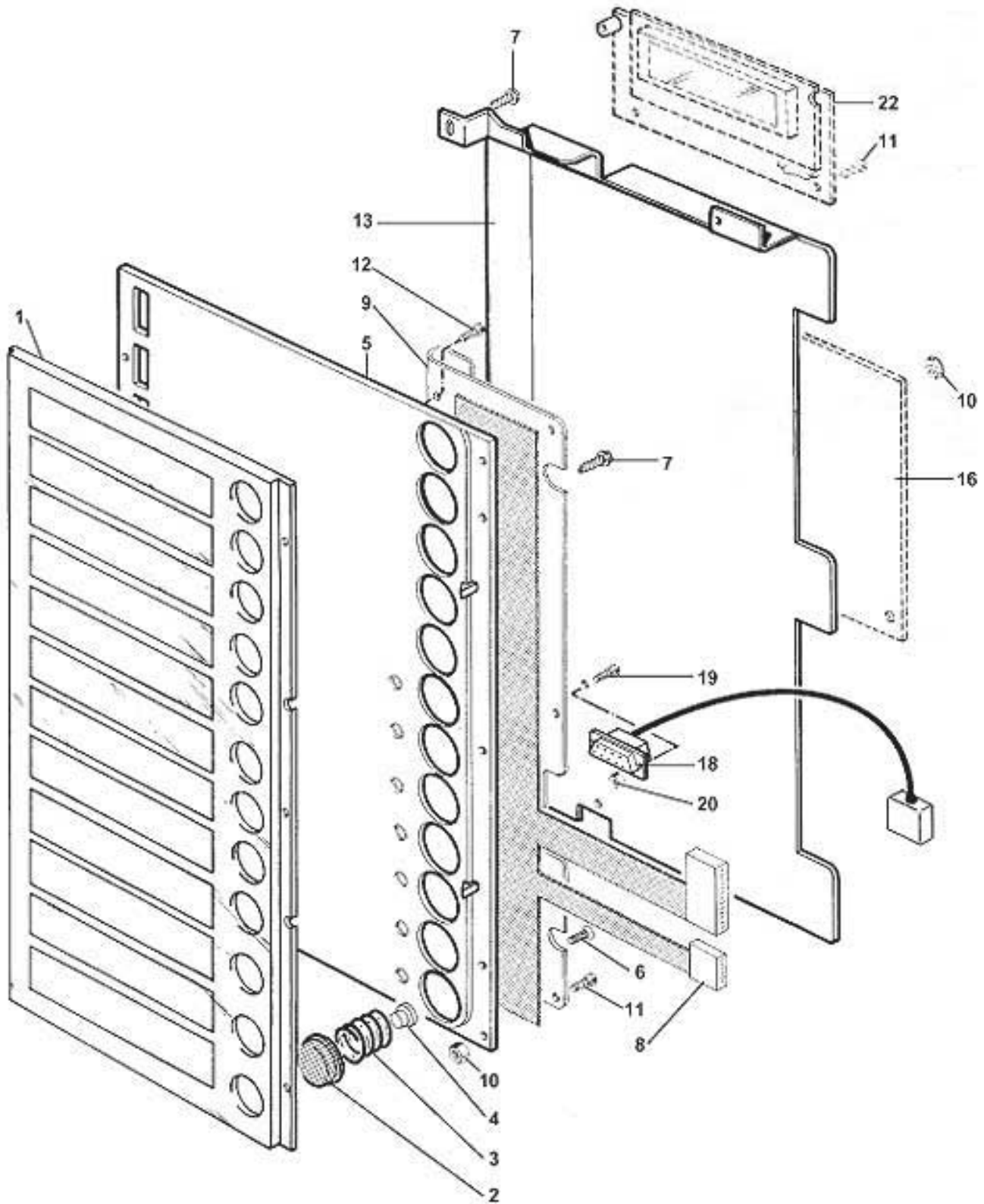
Pos.	Code	Description
1	0020034294	DOOR CASING
2	0020034156	DOOR HINGE BUSH
3	0020034322	UPPER SUPPORT WITH BRAND
	0020034322CF	
	0020034322CG	
	0020034322CH	
	0020034322CM	
	0020034322CT	
	0020034322NA	
4	0020029914	SECURING GLASS PROFILE
	0020029914CF	
	0020029914CG	
	0020029914CH	
	0020029914CM	
	0020029914CT	
	0020029914NA	
5		
6	0020029937	UPPER PHOTO PROTECTION
7	See table	CUPS STOP
8	1150003337CL	SAGOMA LOCK COMPLETE
8/a	1150003336	LOCK SLEEVE
	1150003336CF	
	1150003336CG	
	1150003336CH	
	1150003336CM	
	1150003336CT	
	1150003336NA	
8/b	1150002112	LOCK BODY
	1150002112CF	
	1150002112CG	
	1150002112CH	
	1150002112CM	
	1150002112CT	
	1150002112NA	
8/c	1150002111	LOCK PIN
8/d	VIT0005203	4 x 18 CYLINDRICAL PIN
8/e	VIT0006508	D 10 RADIAL STOP RING
8/f	1150002113	SPRING
8/g	VIT0000115	M 4x30 TSP SCREW
8/h	1150003335	LOCK HOOK SAGOMA LUCE
8/i	VIT0004815	M 4 SELF LOCKING NUT
8/l	SEF0000003	G 5 TUBULAR LOCK
9	0020029915	SECURING GLASS PROFILE
	0020029915CF	
	0020029915CG	
	0020029915CH	
	0020029915CM	
	0020029915CT	
	0020029915NA	
10	0020034319	ROUNDED SHEET
11	0020034321	OPALINE LOWER GLASS
12	0020034281	ROUNDED LOWER SUPPORT
	0020034281CF	
	0020034281CG	
	0020034281CH	
	0020034281CM	
	0020034281CT	
	0020034281NA	
13	VIT0002401	TAPPING SCREW TCB 3.5 x 9.5
14	0020034278	MODULES UPPER SUPPORT
	0020034278CG	
	0020034278CH	
	0020034278CK	
	0020034278CM	
	0020034278CT	
	0020034278KA	
	0020034278KF	
	0020034278NA	
15	0020026341	NEUTRAL MODULE
	0020026341CA	
	0020026341CB	
	0020026341CF	
	0020026341CG	
	0020026341CI	
	0020026341CK	
	0020026341CM	
	0020026341CS	
	0020026341NA	
16	0020026343	COIN INTRODUCTION MODULE
	0020026343CA	
	0020026343CB	
	0020026343CF	
	0020026343CG	
	0020026343CI	
	0020026343CK	
	0020026343CM	
	0020026343CS	
	0020026343NA	
17	4050010072	COIN RETURN BUTTON
	4050010072CF	
	4050010072CI	
	4050010072CK	
	4050010072CP	
	4050010072CC	
	4050010072CD	
	4050010072KA	
	4050010072NA	
18	0020034023	COIN RETURN PIN
19	4050010074	COIN RETURN BUTTON SPRING
20	See table	NEW ELECTRONIC CONTROL AND POWER LOGIC
21	0020026342	INSTRUCTION MODULE
	0020026342CA	
	0020026342CB	
	0020026342CF	
	0020026342CG	
	0020026342CI	
	0020026342CK	
	0020026342CM	
	0020026342CS	
	0020026342NA	
22	0020026351	INSTRUCTION GLASS
23	See table	PULSANTIERA
24	0020034279	LOWER SUPPORT
	0020034279CB	
	0020034279CG	
	0020034279CH	
	0020034279CK	
	0020034279CM	
	0020034279CT	
	0020034279KA	
	0020034279KF	
	0020034279NA	
25	0020018162	COIN RETURN HATCH
	0020018162CA	
	0020018162CF	
	0020018162CK	
	0020018162CP	
	0020018162CA	
	0020018162GC	
	0020018162GD	
	0020018162KA	
	0020018162NA	
26	0020029444	COIN ACCEPT-RETURN CHUTE ASSEMBLY
27	0030006105	COIN SHEET COVER
28	0030006004R	COIN BOX COVER ASSEMBLY
29	4060010113	COIN BOX HOOK
30	SEF0000105	LOCK BRACKET
31	SEF0000010	BOX 5 RAPID EXTENSION LOCK
32	0020029960	UPPER LAMP SUPPORT
33	ELE0009023	13W ELECTRONIC IGNITION LAMP
34	0020034413	RIGHT SAGOMA LX - LUCE PROFILE
	0020034413CF	
	0020034413CG	
	0020034413CM	
	0020034413KE	
	0020034413KF	
	0020034413NA	
35	0020034414	LEFT SAGOMA LX - LUCE PROFILE
	0020034414CF	
	0020034414CG	
	0020034414CM	
	0020034414KE	
	0020034414KF	
	0020034414NA	
36	0020029457	COINS RETURN GLASS
37	0020034302	GLASS CONVEX STIFFENING
38	0020034508	UPPER LAMP PROTECTION
39	0020029626	SUGAR MODULE DISPLAY WITH SUGAR
	0020029626CF	



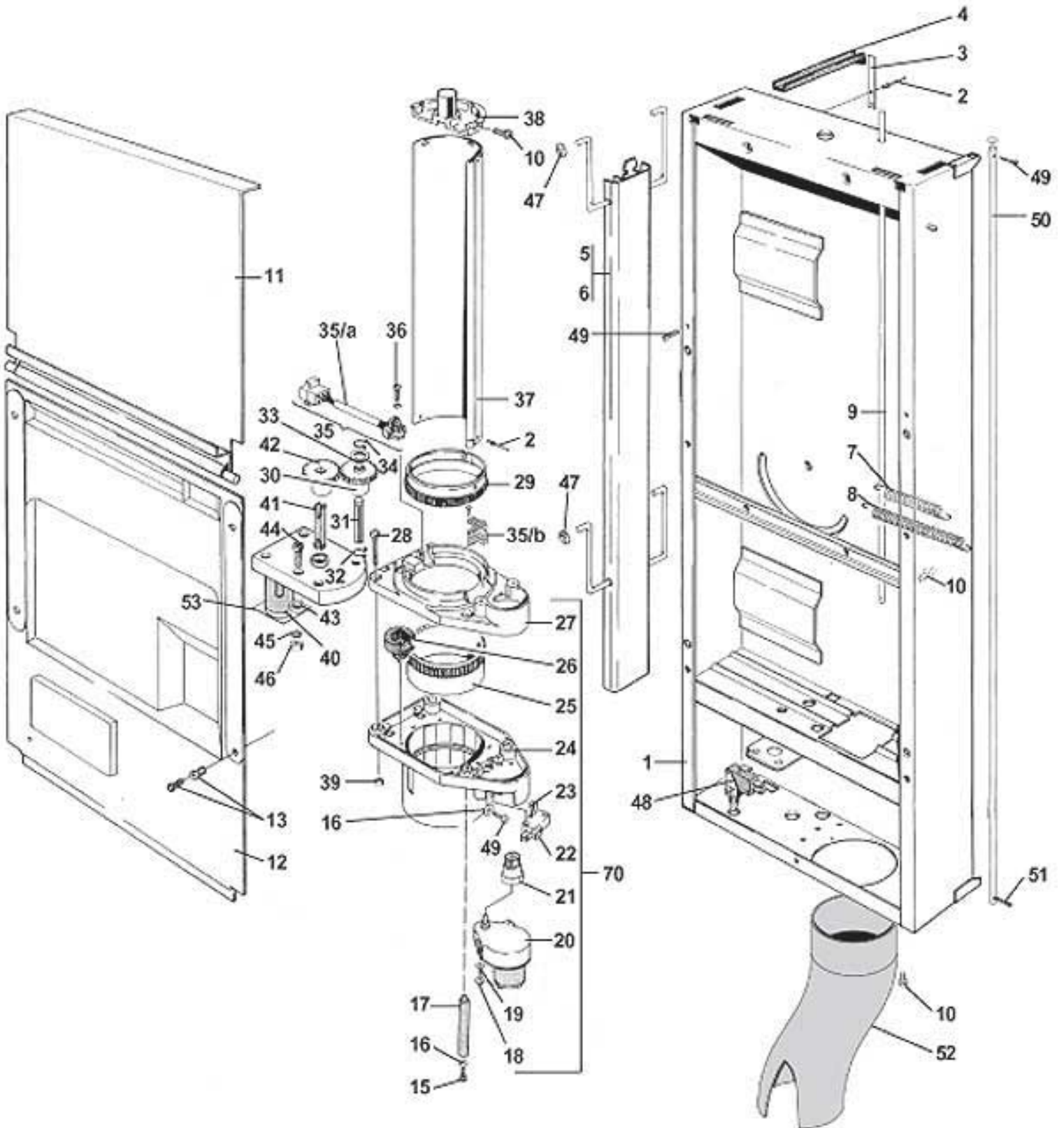
Pos.	Code	Description
1	0020034294	DOOR CASING
2	0020034530	COIN BOX PROTECTION
3	4002010055	SCREW BOLT
4	0020031141	DATA AUDIT BOARD FILTER
5	0020029456	HOUSING CLOSING SHEET
6	VIT0002401	TAPPING SCREW TCB 3.5 x 9.5
7	0020034314	CUPS LOADER PLATE
8	VIT0002401	TAPPING SCREW TCB 3.5 x 9.5
9	0020034289	CUPS LOADER LOWER BRACKET
10	VIT0006003	1,6x10 PIN
11	VIT0002004	TAPPING SCREW TCB 3.5 x 13
12	0020034166	VL COIN BOX SUPPORT
13	VIT0000012	SCREW T.C.B. M 4 x 10
14	4060010126	PLASTIC COIN DRAWER BOX
15	VIT0002401	TAPPING SCREW TCB 3.5 x 9.5
16	0020029637	WASHING PROGRAM KEYBOARD LABEL
20	0020034187	PIN
21	VIT0002401	TAPPING SCREW TCB 3.5 x 9.5
22	0020005013	COIN RETURN LEVER SPRING
23	0020034177	COIN RETURN BUTTON CONNECTION
24	VIT0006012	1.5x40 PIN
25	0020029258	COIN INTRODUCTION CHUTE WALL
26	0020034045	COIN INTRODUCTION CHUTE
27	VIT0002401	TAPPING SCREW TCB 3.5 x 9.5
28	0020034025	COIN RETURN UPPER LEVER
29	VIT0000030	SCREW TCB M4 x 7
30	0020026322	COIN RETURN LOWER BRACKET



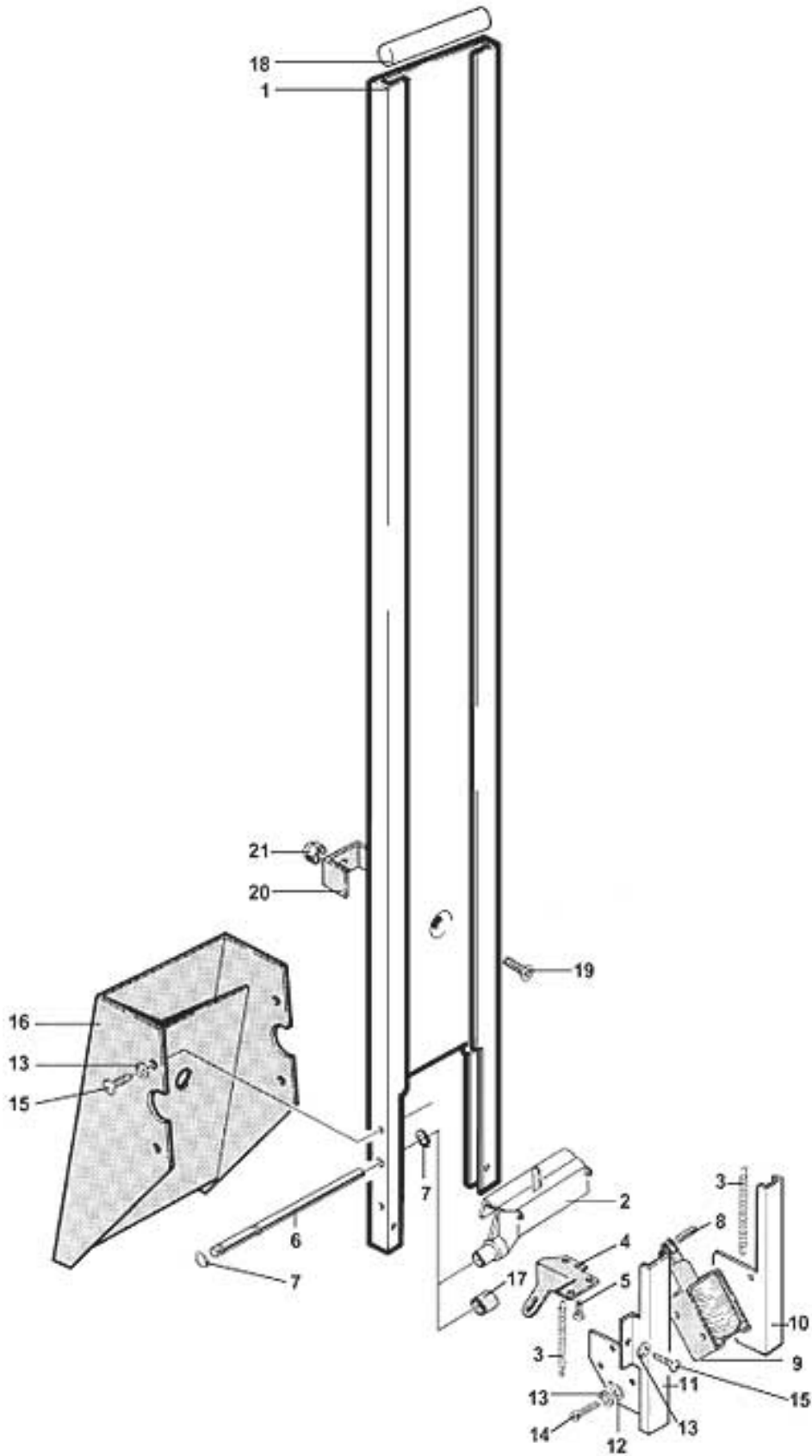
Pos.	Code	Description	
1	040008433	CUPS STATION FRAME	
	040008433CF		
	040008433CG		
	040008433CH		
	040008433CM		
	040008433NA		
2	040008009/2	CUPS STOP HATCH	
3	0150001053	FEEDER COUNTERPART	
4	0150001052	FEEDER	*
	0150001052CA		
	0150001052CA		
	0150001052CB		
	0150001052CB		
	0150001052NA		
	0150001052NA		
5	0150001056	DRIP TRAP	
6	VIT0002469	SCREW TC 3.5 x 10 FOR PLASTIC	
7	VIT0002001	2.9x 6.5 TAPPING TCB SCREW	
8	040008101	FEEDER SUPPORT	*
	040008101CA		
	040008101CB		
	040008101NA		
9	040007027	R.H. SUPPORT	*
	040007027CA		
	040007027CB		
	040007027IC		
	040007027NA		
	040007027PG		
10	040007014	L.H. SUPPORT	*
	040007014CA		
	040007014CB		
	040007014IC		
	040007014NA		
	040007014PG		
11	040008437R	L.H. BRACKET WITH PIN	
12	040007003	CUP STOP SUPPORT	*
	040007003CA		
	040007003CB		
	040007003IC		
	040007003NA		
	040007003PG		
13	VIT0007105	BUTTON	
14	VIT0007104	BUSH	
15	040008434	WORKING CUP SUPPORT	
	040008434NA		
16	040008436R	R.H. BRACKET WITH PIN	
17	040007021	LOCKING SPRING	
18	040007017	LOCKING PLATE	*
	040007017CA		
	040007017CA		
	040007017CB		
	040007017CB		
	040007017NA		
	040007017NA		



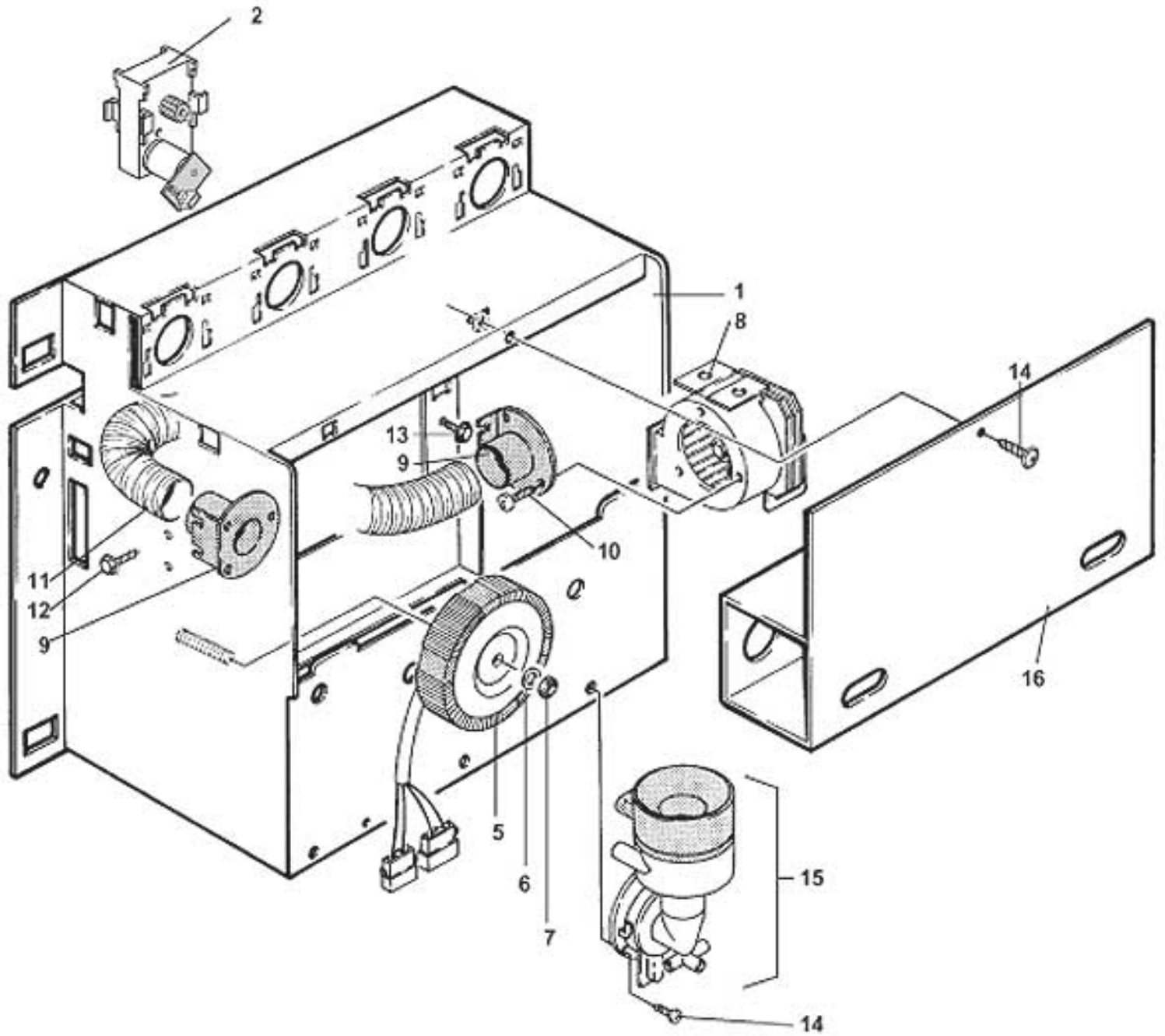
Pos.	Code	Description
1	0020034105	
	0020034105CF	
	0020034105CG	
	0020034105CI	
	0020034105CM	
	0020034105CS	
	0020034105NA	
2	0020034015	BUTTON
	0020034015AB	
	0020034015CG	
	0020034015CK	
	0020034015CP	
	0020034015GC	
	0020034015KA	
	0020034015NA	
	0020034015PB	
	0020034015PG	
3	0020034016	BUTTON SPRING
4	0020034022	BUTTON PLUG
5	0020034014	BUTTONS PLATE
6	VIT0000031	M 2.5x6 SLOTTED SCREW
7	VIT0002401	TAPPING SCREW TCB 3.5 x 9.5
8	0020034050	KEYBOARD
9	0020034033	KEYBOARD SUPPORT
10	VIT0004503	NUT M 4
11	VIT0000030	SCREW TCB M4 x 7
12	VIT0002001	2.9x 6.5 TAPPING TCB SCREW
13/a	0020034158	CPU BOARD SUPPORT FOR OLD ELECTRONIC VERSION
13/b	0020034299	CPU BOARD SUPPORT FOR NEW ELECTRONIC VERSION
16	See table NEW ELECTRONIC CONTROL AND POWER LOGIC	
18	CBL0900704	DATA COLLECTION WIRING FOR OLD ELECTRONIC VERSION
19	VIT0000002	M 3x16 TCB SCREW FOR OLD ELECTRONIC VERSION
20	VIT0004502	M3 NUT FOR OLD ELECTRONIC VERSION
22	See table NEW ELECTRONIC CONTROL AND POWER LOGIC	



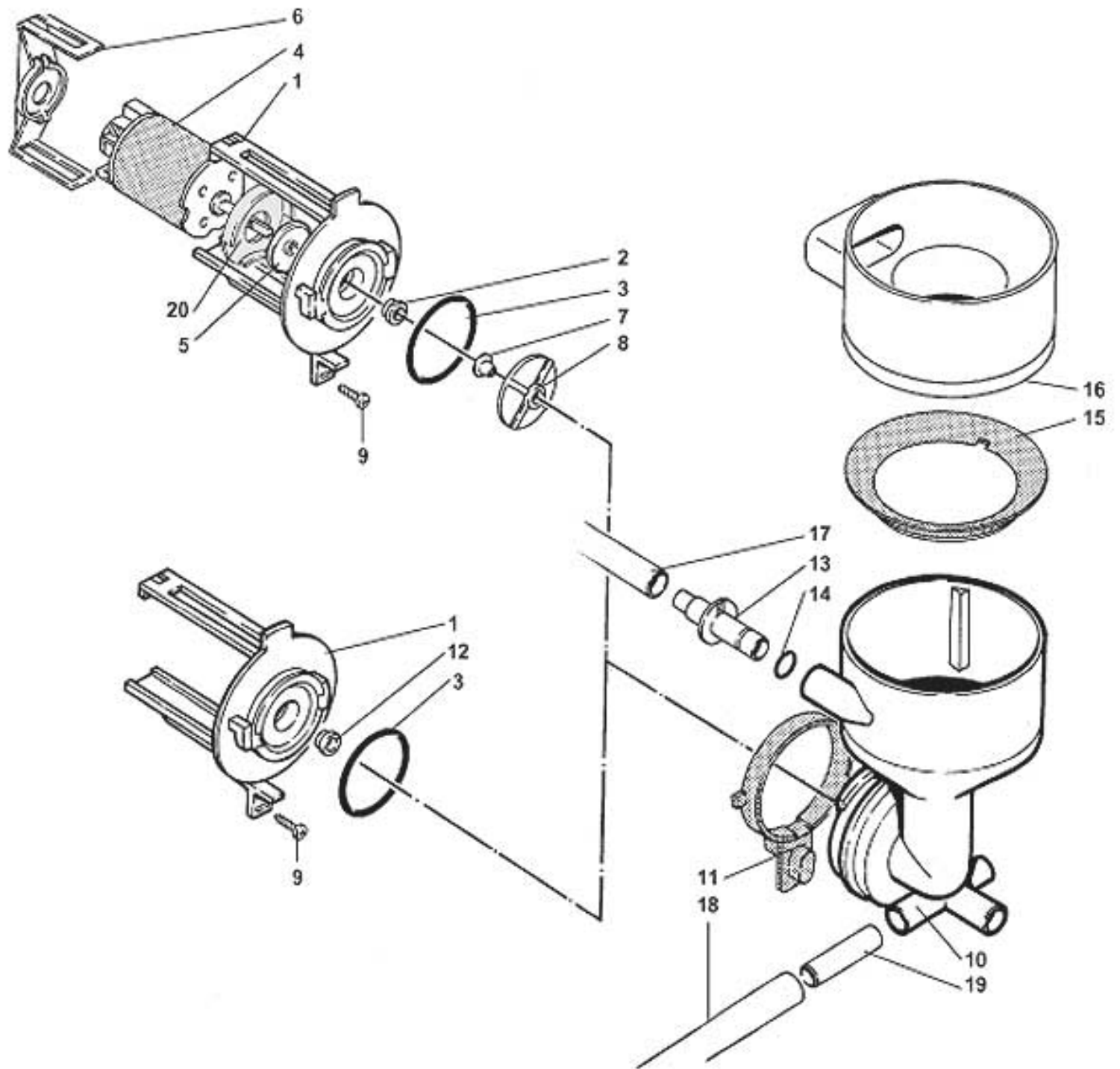
Pos.	Code	Description
1	0180011755	500-CUP LOADER STRUCTURE
2	VIT0007021	3 x 6 ALUMINIUM RIVET
3	0180009051	STOP CONNECTION SPRING
4	0180009054	STOP CONNECTION
5	0180011757	L.H. WALL ASSEMBLY
6	0180011758	R.H. WALL ASSEMBLY
7	2100002007	CUPS LOADER SPRING
8	0180011554	SPRING
9	0180011759	CUPS GUIDE PIN
10	VIT0002401	TAPPING SCREW TCB 3.5 x 9.5
11	0180011764	LOADER COVER
12	0180011771	FIXED COVER
	0180011771CK	
13	VIT0007104	BUSH
14	VIT0007105	BUTTON
15	VIT0000002	M 3x16 TCB SCREW
16	VIT0003002	D.3.2x7x0.5 WASHER
17	0180011534	COLUMN
18	VIT0000006	M 3x16 TCB SCREW
19	VIT0003102	WASHER tab D. 3.2
20	0090002512R	24 V DC 10 ROM GEAR MOTOR HEXAGONAL SHAFT
21	0190006007	FGEAR MOTOR PINION
22	ELE0001522	1-WAY 16 A 250 V MICROSWITCH
23	ELE0001906	161 E R 24.1 MICRO LEVER
24	0190006056	LOWER PLATE
25	0190006004	Z 66 RING NUT
26	0190006005	CAM WITH PINION
27	0190012155	UPPER PLATE
28	VIT0000019	M 5x35 TCB SCREW
29	0180011762	CENTRAL COLUMN RING NUT
30	0190012108	Z.30 PINION
31	0180011533	DB SHAFT FOR Z.30 PINION
32	VIT0006502	D.3.2 RADIAL STOP RING
33	VIT0003303	WASHER D.6,5 x 18 x 1,5
34	VIT0006503	D.4 RADIAL STOP RING
35/a	CBL0900202	CUP SENSOR CABLE +COLUMN SENSO
35/b	SCH0004220	CUP DETECTOR
36	VIT0002001	2.9x 6.5 TAPPING TCB SCREW
37	0180011761	CENTRAL COLUMN
38	0180005007	CENTRAL COLUMN GUIDE
39	VIT0004504	M 4 NUT
40	0090002114R	24V D.C. GEAR MOTOR 24 R.P.M.
41	0380010421	GEAR MOTOR SHAFT
42	0180011544	Z.30 PINION WITH SQUARE SEAT
43	0180011553	GEAR MOTOR SPACER
44	VIT0000015	M 4x25 TCB SCREW
45	VIT0003103	WASHER tab D. 4.3
46	VIT0004503	NUT M 4
47	VIT0007102	BENZING-QUICKLOCK
48	ELE0001506	MICROSWITCH 83.131.8-IW3M FOR OLD ELECTRONIC VERSION
49	VIT0002001	2.9x 6.5 TAPPING TCB SCREW FOR OLD ELECTRONIC VERSION
50	0180011763	LOADER HINGE PIN FOR OLD ELECTRONIC VERSION
51	VIT0006004	1.5x15 PIN FOR OLD ELECTRONIC VERSION
52	0180011528	CUPS CHUTE FOR OLD ELECTRONIC VERSION
53	SCH0003740	DC MOTORS FILTER FOR OLD ELECTRONIC VERSION
100	0180011760CL	CUPS LOADER / DIPENSER ASSEMBLY FOR OLD ELECTRONIC VERSION



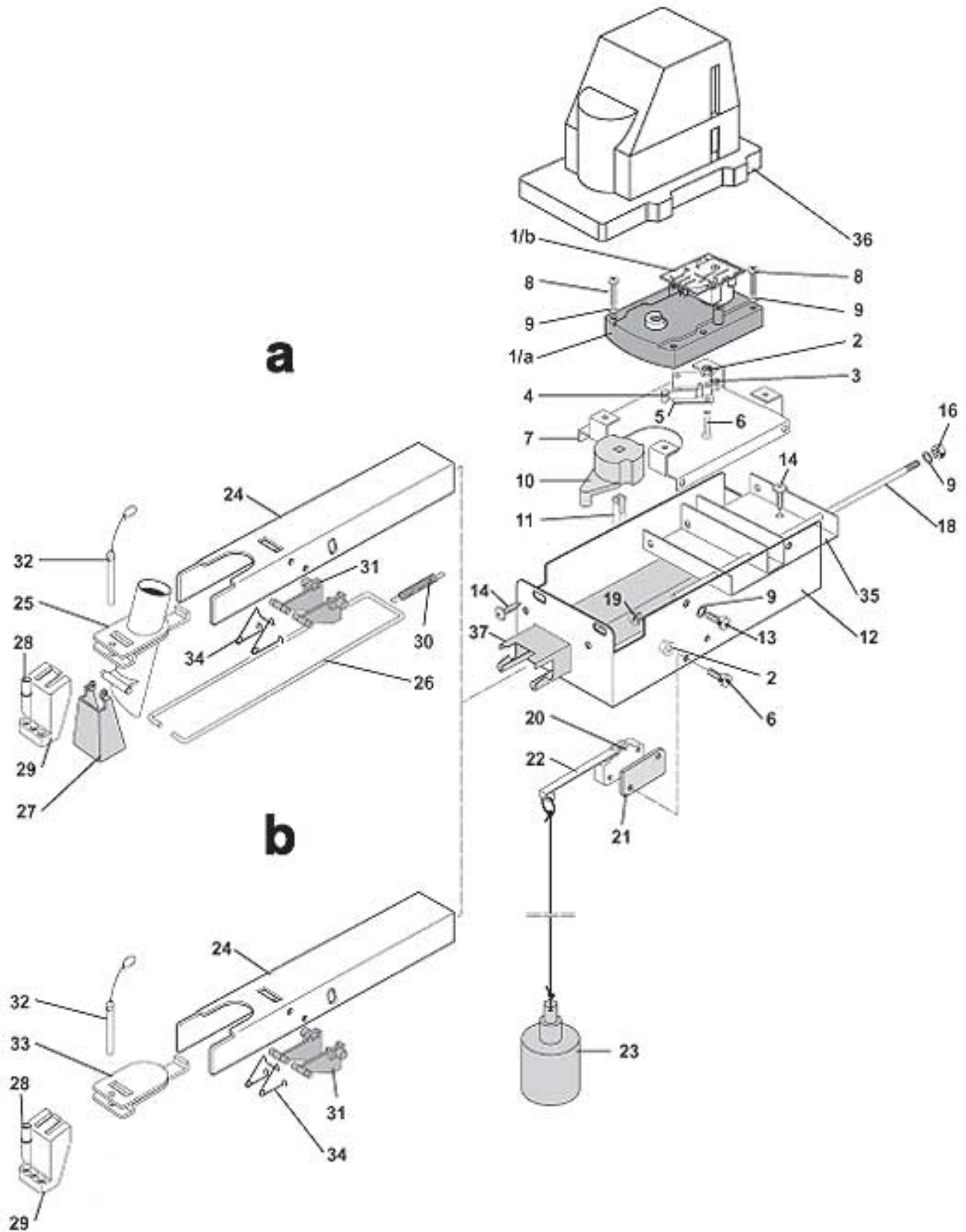
Pos.	Code	Description	
1/a	0450007013	STICKS CONTAINER mm 89	
1/b	0450003076	STICKS CONTAINER mm 104	
2	0450002003	STICKS DISPENSER	
3	0450003010	RETURN SPRING	
4	0450003108	ELECTROMAGNET CONNECTING ROD	
5	VIT0002469	SCREW TC 3.5 x 10 FOR PLASTIC	
6/a	0450003008	STICKS DISPENSER PIN 89 mm	
6/b	0450003032	STICKS DISPENSER PIN 104 mm	
7	VIT0006504	D.5 RADIAL STOP RING	
8	VIT0005211	2.5 x 12 CYLINDRICAL PIN	
9	ELE0000055	24 V DC ELECTROMAGNET	
10	0450003106	ELECTROMAGNET R.H SUPPORT	
11	0450003107	ELECTROMAGNET L.H. SUPPORT	
12	VIT0003003	WASHER D.8 x 4.3 x 0.8	
13	VIT0003405	D.4.3 GROWER WASHER	
14	VIT0000021	M 4x6 TCB SCREW	
15	VIT0002401	TAPPING SCREW TCB 3.5 x 9.5	
16/a	0450003097	STICKS FEEDER mm 89	
16/b	0450003116		
17	0450003031	STICKS DISPENSER SPACER 104 mm	
18/a	4001012030	STICK WEIGHT 89 mm	
18/b	0450003033	STICK WEIGHT 104 mm	
19	VIT0000108	M 4x16 TSP SCREW	
20	4600010012	SECURING CONNECTION From serial 95270001	
21	VIT0004815	M 4 SELFLOCKING NUT	
100	0450003061CL	SAGOMA LUCE STICKS DISPENSER mm 89	assieme
101	0450003071CL	SAGOMA LUCE STICKS DISPENSER mm 104	assieme



Pos.	Code	Description
1/a	0070010964R	SOLUBLES HOUSING 6
1/b	0070010945R	SOLUBLES 5 HOUSING
2	0090002113R	24 V DC 80 RPM PRODUCT GEAR MOTOR
5	ELE0000565	
6	VIT0003453	6.4x12.5x1.6 FLAT WASHER
7	VIT0004505	NUT M6
8	ELE0000458	EXHAUST FAN
9	0010014071	D.30 EXHAUST COVER
10	VIT0002001	2.9x 6.5 TAPPING TCB SCREW
11	TEOL000002	EXTERNAL WRINKLED PIPE D.30
12	VIT0002469	SCREW TC 3.5 x 10 FOR PLASTIC
13	VIT0002455	QUICK-THREAD SCREW 3.5 x 20
14	VIT0002401	TAPPING SCREW TCB 3.5 x 9.5
15	See table MIXER	
16/a	0070010969	H/6 COMPLETE EXHAUST
16/b	0070010422	E/5 ASSEMBLY EXHAUST COVER

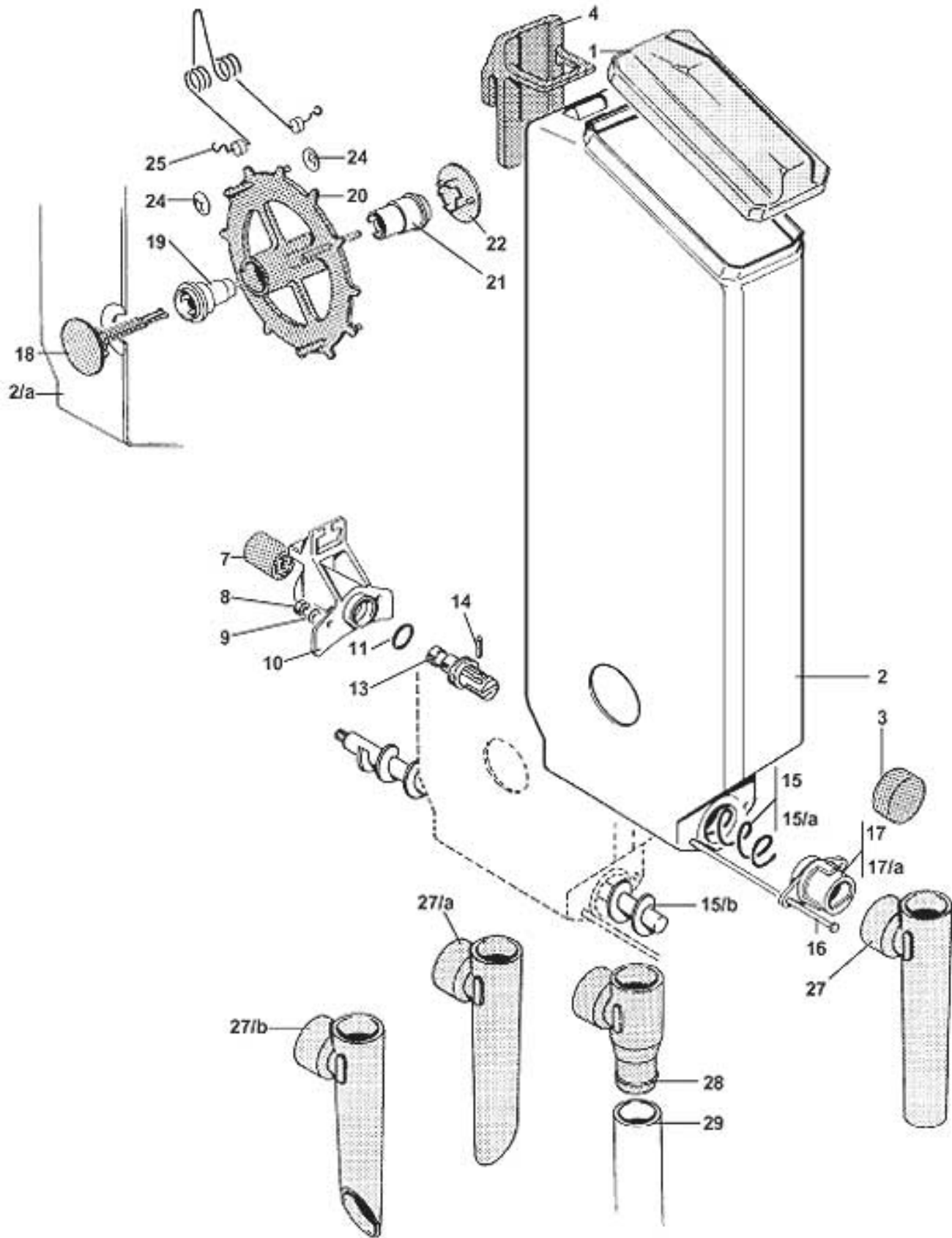


Pos.	Code	Description	
1	0080100005	MIXER BASE	
2	0080100015	MIXER BASE BUSH	
3	GUA0000084	OR 3131	
4	0090003023	24 V DC MIXER MOTOR SHAFT D.4	
5	0080100024	DRIP TRAP FAN	
6	0080100009	MOTOR HOUSING CONNECTION	
	0080100009IC		
7	0080100014	MIXER SHAFT GASKET D.4	
8	0080100011	SMALL FAN MIXER SHAFT D.4	
	0080100011PL		
9	VIT0002401	TAPPING SCREW TCB 3.5 x 9.5	
10	0080100007	MIXER BODY WITH INLET	
11	0080100006	STOPPER RING	
	0080100006IC		
12	0080100018	MIXER BASE PLUG	
13	0080100013	MIXER CONNECTION	
14	GUA0000085	SILICONE OR 106	
15	0080100022	MIXER BODY RING	
16	0080100021	EXHAUST BODY	
17	TSIL07/11T	TRANSPARENT SILICONE PIPE D.7 x 11	
18	TSIL06/09T	TRANSPARENT SILICONE PIPE D.6 x 9	
19	0080027029	REDUCTION FOR CAFFEINE-FREE COFFE	
20	0080100023	MIXER COVER	
	0080100023IC		
100	0080100001R	MIXER BASE+MOTOR ASSEMBLY FROM POS.1 TO POS.8 + POS.20	assieme
101	0080100007R	MIXER BODY + RING STOPPER POS. 10+11	

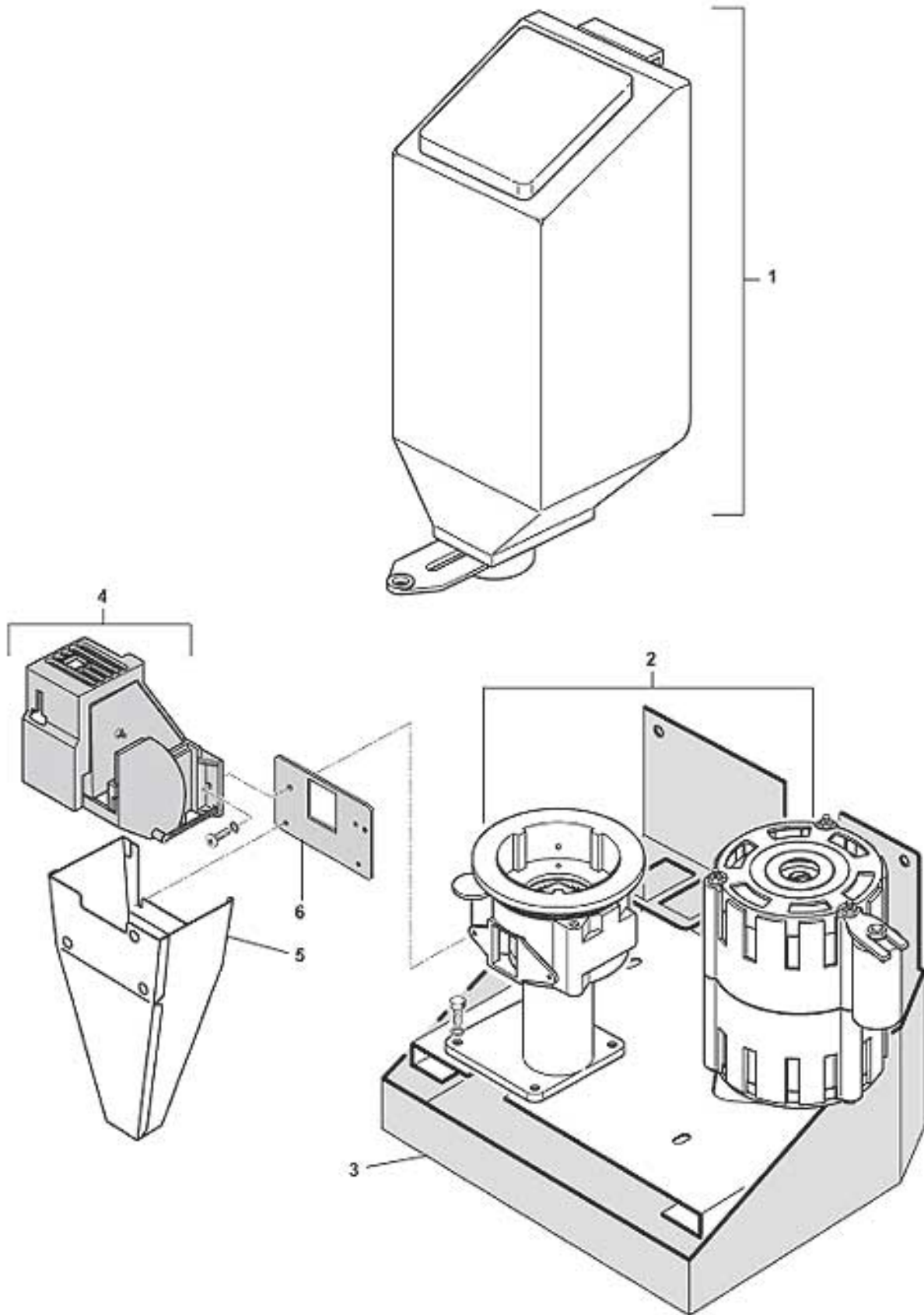


## ECO LUCE - DISTRIBUTION PIPES MOVEMENT

Pos.	Code	Description	
1	0090002110R	24 V DC 24 RPM GEAR MOTOR + BRAKE WITH FILTER FOR OLD ELECTRONIC VERSION	
1/a	0090002109	24V D.C. GEAR MOTOR 24 R.P.M. FOR OLD ELECTRONIC VERSION	
1/b	SCH0003220	BRAKE FOR DC MOTOR W/FILTER FOR OLD ELECTRONIC VERSION	
1	0090002114R	24V D.C. GEAR MOTOR 24 R.P.M. FOR NEW ELECTRONIC VERSION	
1/a	0090002114	GEAR MOTOR MOD.930 11RPM 24V DC FOR NEW ELECTRONIC VERSION	
1/b	SCH0004980	DC MOTORS FILTER FOR NEW ELECTRONIC VERSION	
2	VIT0004701	M3 FR NUT FOR NEW ELECTRONIC VERSION	
3	ELE0001528	MICRO 83.161.832 FOR NEW ELECTRONIC VERSION	
4	ELE0001906	161 E R 24.1 MICRO LEVER FOR NEW ELECTRONIC VERSION	
5	7500902054	SUPPLEMENTARY INSULATION FOR NEW ELECTRONIC VERSION	
6	VIT0000006	M 3x16 TCB SCREW FOR NEW ELECTRONIC VERSION	
7	0380010436	GEAR MOTOR SUPPORT FOR NEW ELECTRONIC VERSION	
8	VIT0000015	M 4x25 TCB SCREW FOR NEW ELECTRONIC VERSION	
9	VIT0003003	WASHER D.8 x 4.3 x 0.8 FOR NEW ELECTRONIC VERSION	
10	0380010508	GEAR MOTOR CAM mm 36 FOR NEW ELECTRONIC VERSION	
11	0380010421	GEAR MOTOR SHAFT FOR NEW ELECTRONIC VERSION	
12	0380010492	FASCIA PIPES MOVEMENT ESTRAIBILE FOR NEW ELECTRONIC VERSION	
13	VIT0002009	TAPPING SCREW T.C.B. 3.5 x 6.5 FOR NEW ELECTRONIC VERSION	
14	VIT0002401	TAPPING SCREW TCB 3.5 x 9.5 FOR NEW ELECTRONIC VERSION	
16	VIT0004503	NUT M 4 FOR NEW ELECTRONIC VERSION	
18	0380010411	PIPES SUPPORT GUIDE SHAFT FOR NEW ELECTRONIC VERSION	
19	0380010534	PIPES SUPPORT GUIDE BUSH FOR NEW ELECTRONIC VERSION	
20	ELE0001528	MICRO 83.161.832 FOR NEW ELECTRONIC VERSION	
21	4600010014	MICRO SPACER FOR NEW ELECTRONIC VERSION	
22	NL201106265	MICRO LEVER FOR NEW ELECTRONIC VERSION	
23	0070020038CL	FLOATER ASSEMBLY FOR NEW ELECTRONIC VERSION	
24/a	0380010673	PRODUCT PIPES SUPPORT FOR NEW ELECTRONIC VERSION	
24/b	0380010542	PRODUCT PIPES SUPPORT FOR NEW ELECTRONIC VERSION	
25	0380010423	SUGAR CHUTE FOR NEW ELECTRONIC VERSION	
26	0380010433	WALL OPENING CONNECTION FOR NEW ELECTRONIC VERSION	
27	0380010424	MOBILE WALL FOR NEW ELECTRONIC VERSION	
28	0380010657NA	DISPENSER PIPE FOR NEW ELECTRONIC VERSION	
29/a	0380010491	PRODUCT PIPES SUPPORT / 3 FOR NEW ELECTRONIC VERSION	
29/b	0380010655R	PRODUCT PIPES SUPPORT WITH HOLE FOR NEW ELECTRONIC VERSION	
30	0380010431	MOBILE WALL SPRING FOR NEW ELECTRONIC VERSION	
31	0380010599	KEY PIPES MOVEMENT FOR NEW ELECTRONIC VERSION	
32	0380010429CL	SECURING PIN ASSEMBLY FOR NEW ELECTRONIC VERSION	
33	0380010459	PIPES SUPPORT PLATE FOR NEW ELECTRONIC VERSION	
34	0380010629	KEY PIPES MOVEMENT FOR NEW ELECTRONIC VERSION	
35	0380010531	PIPES SUPPORT GUIDE FOR NEW ELECTRONIC VERSION	
36	0380010632	FOR NEW ELECTRONIC VERSION	
37	0380010623	PIPES SUPPORT GUIDE FOR NEW ELECTRONIC VERSION	
38	0380010632	FOR NEW ELECTRONIC VERSION	
100	0380010454CL	PIPES MOVEMENT ESTRAIBILE SAGOMA H FOR NEW ELECTRONIC VERSION	assieme
101	0380010456CL	PIPES MOVEMENT SAGOMA LUCE H NEW ELECTRONIC WITH RELEASE FOR NEW ELECTRONIC VERSION	
102	0380010436CL	PIPE MOVEMENT SAGOMA E FOR NEW ELECTRONIC VERSION	assieme
103	0380010438CL	PIPE MOVEMENT SAGOMA FOR NEW ELECTRONIC VERSION	assieme

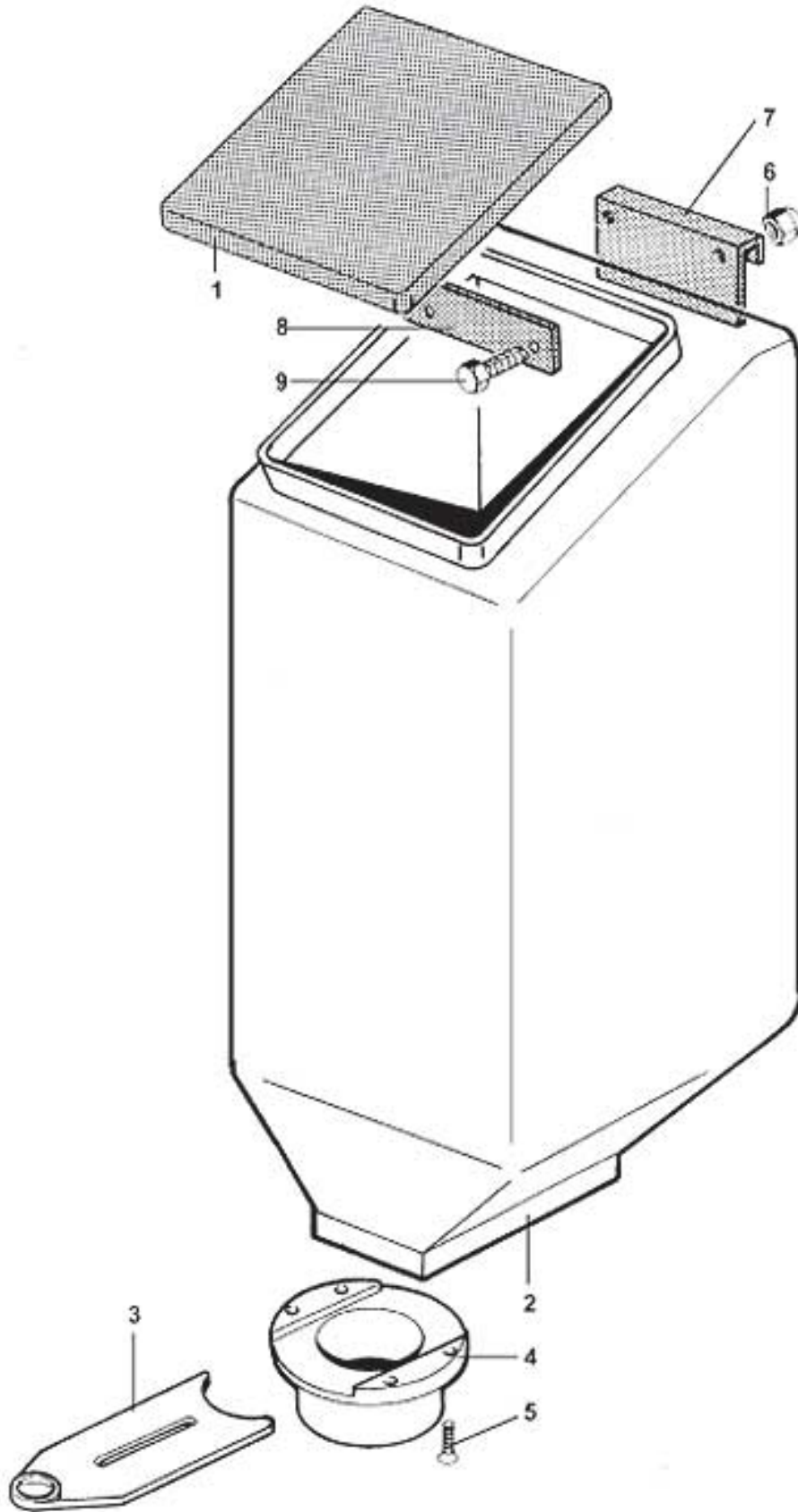


Pos.	Code	Description	
1	70003002	COINTAINER COVER	
2	70003001B	POLYETHYLENE CONTAINER WITHOUT HOLES	
2/a	70003001A	POLYETHYLENE CONTAINER WITH HOLES	
3	4002050109AD	PRODUCT CHUTE PLUG	
4	70003003	UPPER HOOKING PLATE	
7	0230012012	DRIVING RING GEAR SQUARE SEAT	
8	VIT0004803	STAINLESS STEEL NUT M4	
9	VIT0003202	STAINLESS STEEL FLAT WASHER D.4,3 x 9 x 0,8	
10	70003006	REAR SUPPORTING BUSH	
11	GUA0000015	119 OR	
13	0230012006	WORM SCREW WITH FLANGE	
14	VIT0005301	ELASTIC PIN D.2 x 14	
15	70003016	P.18 WORM SCREW SPRING	
15/a	0230024009	WORM SCREW SPRING P.9	
15/b	0230012038	WORM SCREW WITH PIN mm 167	
16	70003010	BUSH TIE-BOLT	
17	70003008	FRONT BUSH	
17/a	70003007	FRONT BUSH	
18	70003028	STOP PIN	
19	70003027	MIXER MALE BUSH	
20/a	70003012	PLASTIC MIXER GEAR	
20/b	70003014	PLASTIC MIXER GEAR	
21	70003026	MIXER FEMALE BUSH	
22	70003029	STOP DISK	
24	VIT0007102	BENZING-QUICKLOCK	
25	11837	MIXER	
27	4001003072/20	STRAIGHT PRODUCT CHUTE mm 125	
27/a	4001003072/22	L.H. PRODUCT CHUTE mm 155	
27/b	4001003072/21	R.H. PRODUCT CHUTE mm 155	
28	0230016024	SUGAR FEEDER	
29	TSIL14/20T	D.10x14 NATURAL TRANSPARENT SILICONE PIPE	
100	0230016006CL	WORM SCREW P.9 PRODUCT CONTAIN	
101	0230017007CL	PRODUCT CONTAINER PLATIC WHEEL P.9 ASS.	assieme
102	0230017008CL	PRODUCT CONTAINER PLATIC WHEEL P.18 ASSEM.	assieme
103	0230018009CL	ROBO MIXER PRODUCT CONTAINER P.18 ASSEM.	assieme
104	0230015100CL	GROUND COFFEE DOUBLE FILTER PR	assieme
105	0230019006CL	TEA PRODUCT CONTAINER PLATIC WHEEL P.18 ASSEM.	assieme
106	0230019005CL	TEA PRODUCT CONTAINER PLATIC WHEEL P.9 ASSEM.	assieme



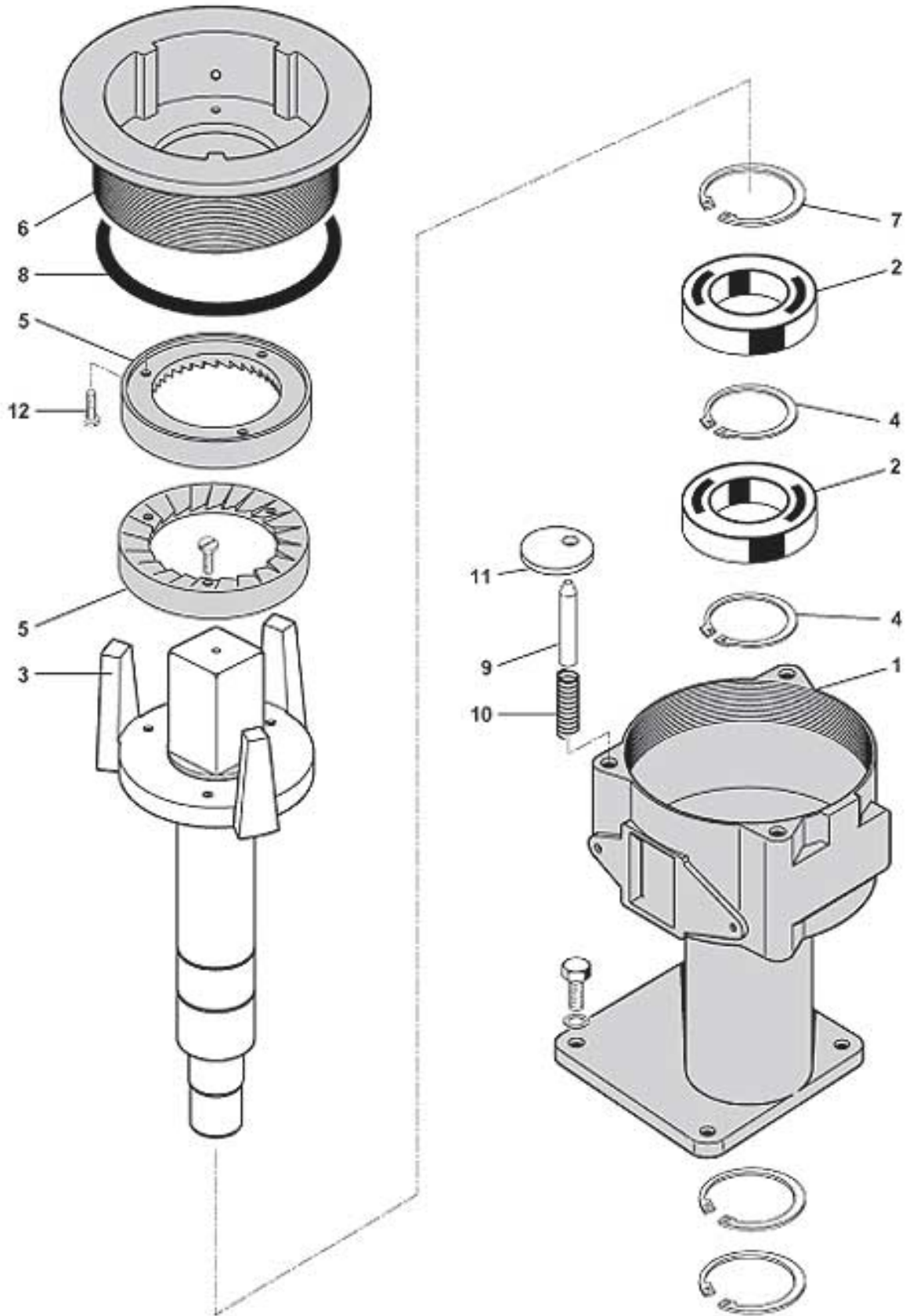
## ECO LUCE - CONTAINER BATCHER GRINDER GROUP

Pos.	Code	Description	
1		See table COFFEE BEANS CONTAINER	
2		See table GRINDER- BATCHER + ENGINE	
3	0320004073	GROUP HOUSING	
4	0350003110CL	24 V DC COFFEE PLASTIC BATCHER W/SETTING	assieme
5	0320004087	COFFEE POWDERS CHUTE	
6	0320004083	PLATE	

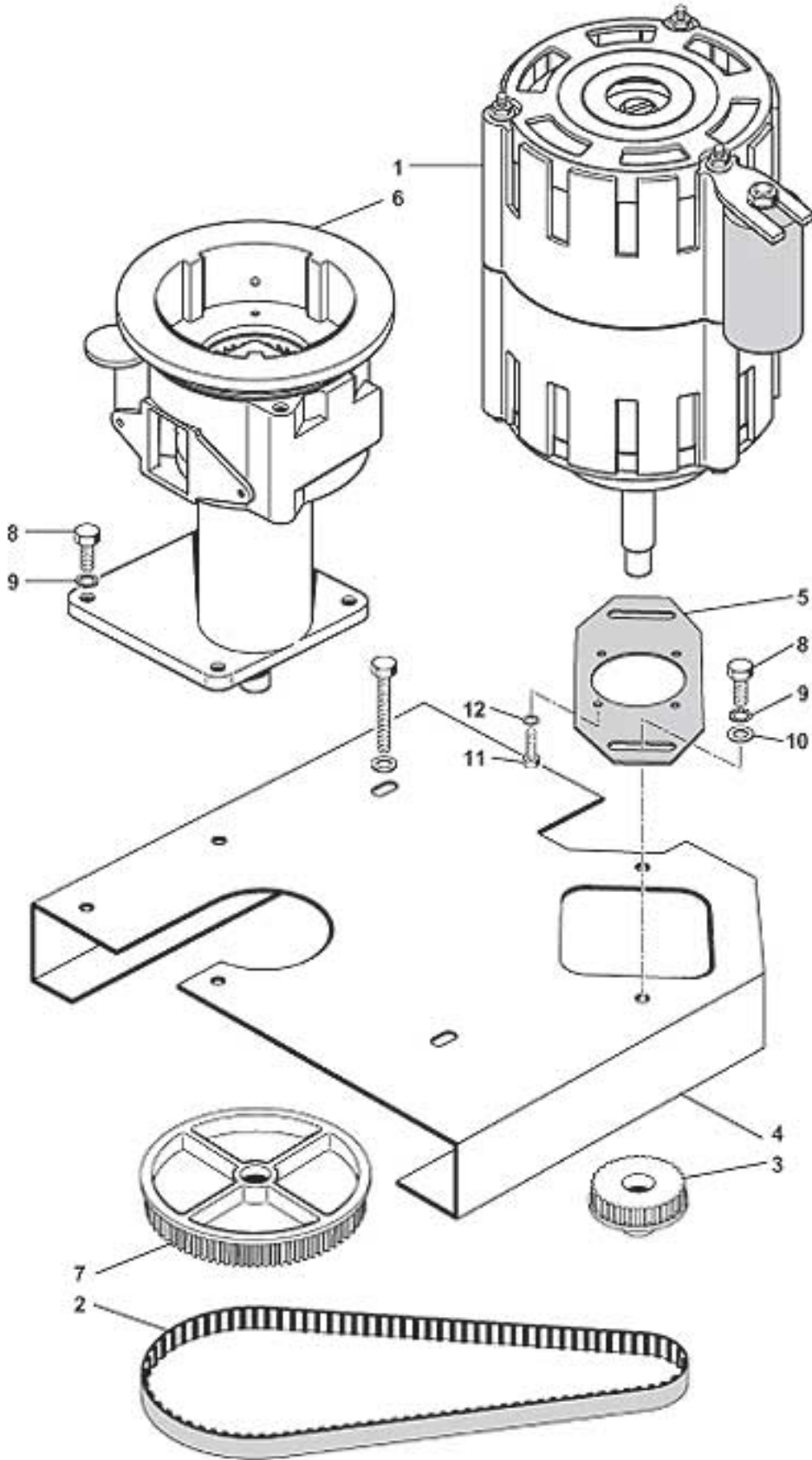


## ECO LUCE - COFFEE BEANS CONTAINER

Pos.	Code	Description
1	0230015053	COFFEE CONTAINER COVER
2	0230015082	COFFEE CONTAINER
3	4001002077	COFFEE CONTAINER BLADE
	4001002077NA	
4	4600002076	COFFEE CONTAINER BOTTOM
	4600002076NA	
5	VIT0002101	3.9x 13 TAPPING TCB SCREW
6	VIT0004815	M 4 SELFLOCKING NUT
7	0230015081	HOOKING SQUARE
8	0230015037	STIFFENING
9	VIT0000234	M 4x12 STAINLESS STEEL H.H. SCREW

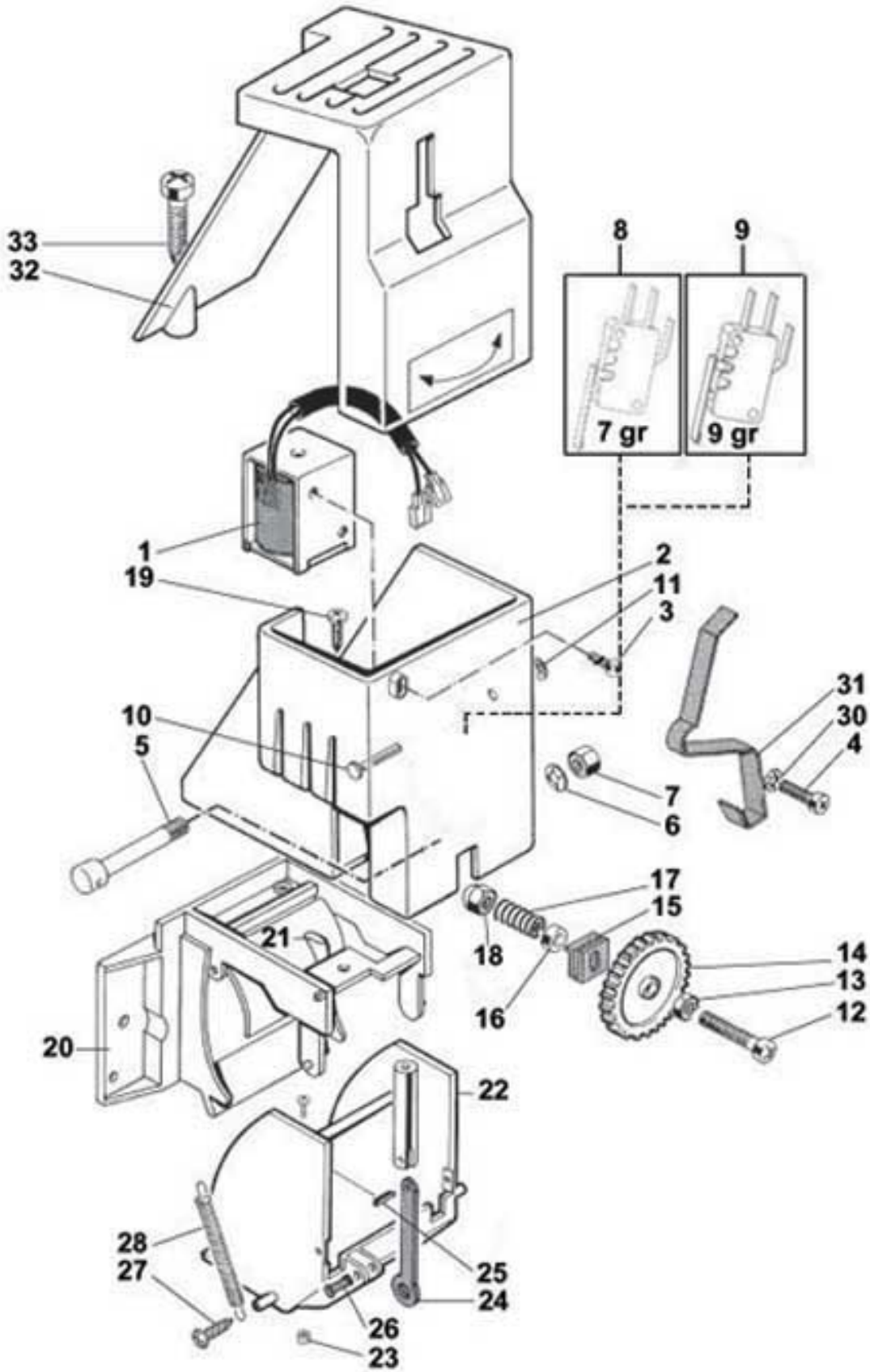


Pos.	Code	Description
1	0320004006	GRINDER BODY
2	VIT0009301	ZKL BEARING
3	0320004015	LOWR GRINDER SUPPORT
4	VIT0006651	D.17 RADIAL STOP RING FOR SHAFT
5	0090003015	GRINDER COUPLE 1695
6	0320002004	UPPER GRINDER SUPPORT
7	VIT0006602	D.35 RADIAL STOP RING FOR HOLE
8	GUA0000090	OR 3268
9	0320002011	COMPENSATING PIN
10	270001023	DOOR SWITCH SPRING
11	0320002010	PLATE
12	VIT0000024	M 4x8 TCB SCREW
100	0320004020CL	GRINDER GROUP



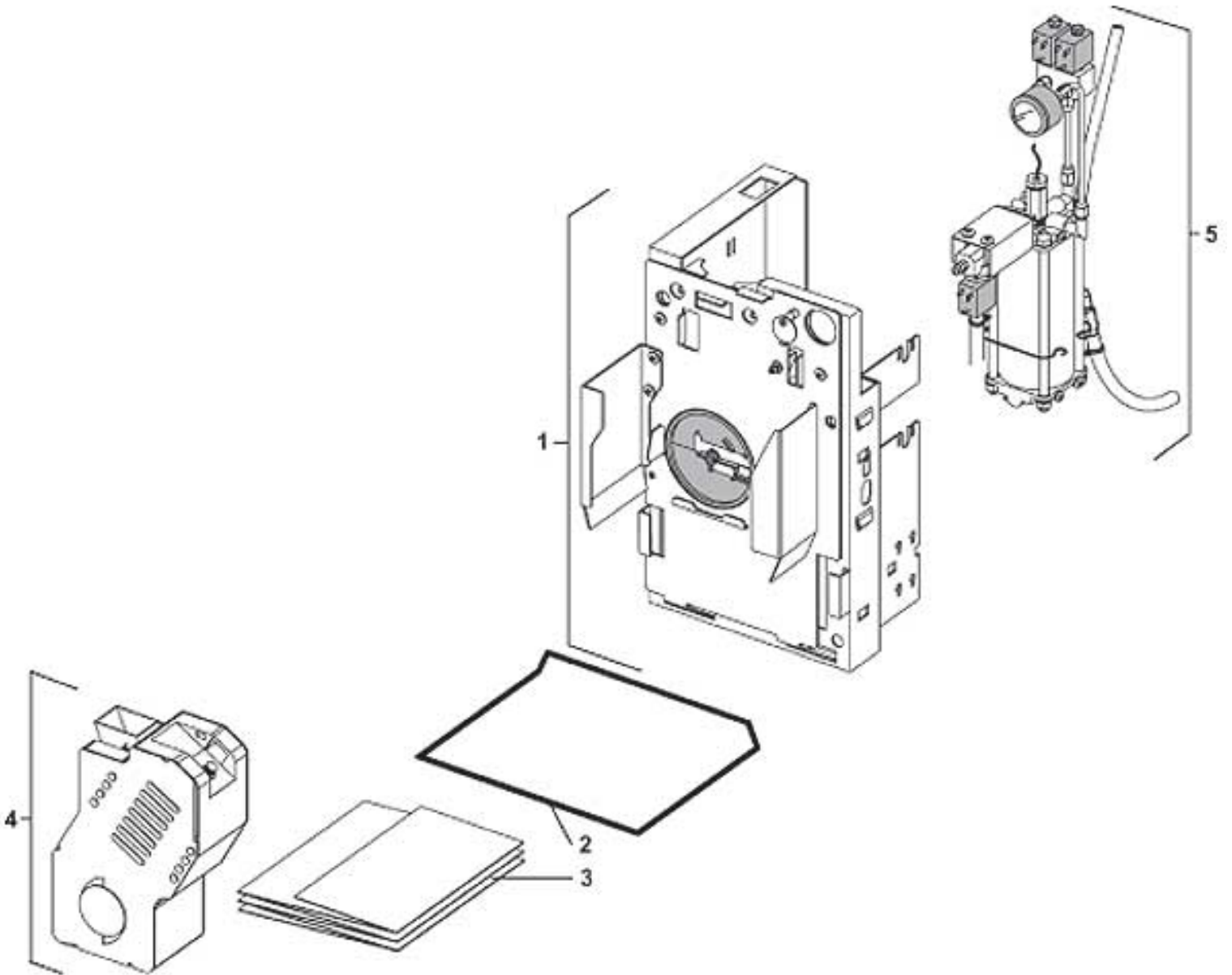
## ECO LUCE - GRINDER- BATCHER + ENGINE

Pos.	Code	Description
1	0090003016	MOTOR + CONDENSER
2	0090006003	BELT
3	0320004055	ENGINE PULLEY
4	0320004075	MILL MOTOR SUPPORT
5	0320004076	SETTING PLATE
6	0320004020CL	GRINDER GROUP
7	0320004022	GRINDER PULLEY
8	VIT0000213	M 6*12 H.H. SCREW
9	VIT0003105	WASHER tab D. 6.4
10	VIT0003005	6.4x12.5x1.6 FLAT WASHER
11	VIT0000205	SCREW TE M4x10
12	VIT0003103	WASHER tab D. 4.3
100	0320004070CL	COFFEE BEANS CONTAINER GROUP ASSEMBLY + MOTOR



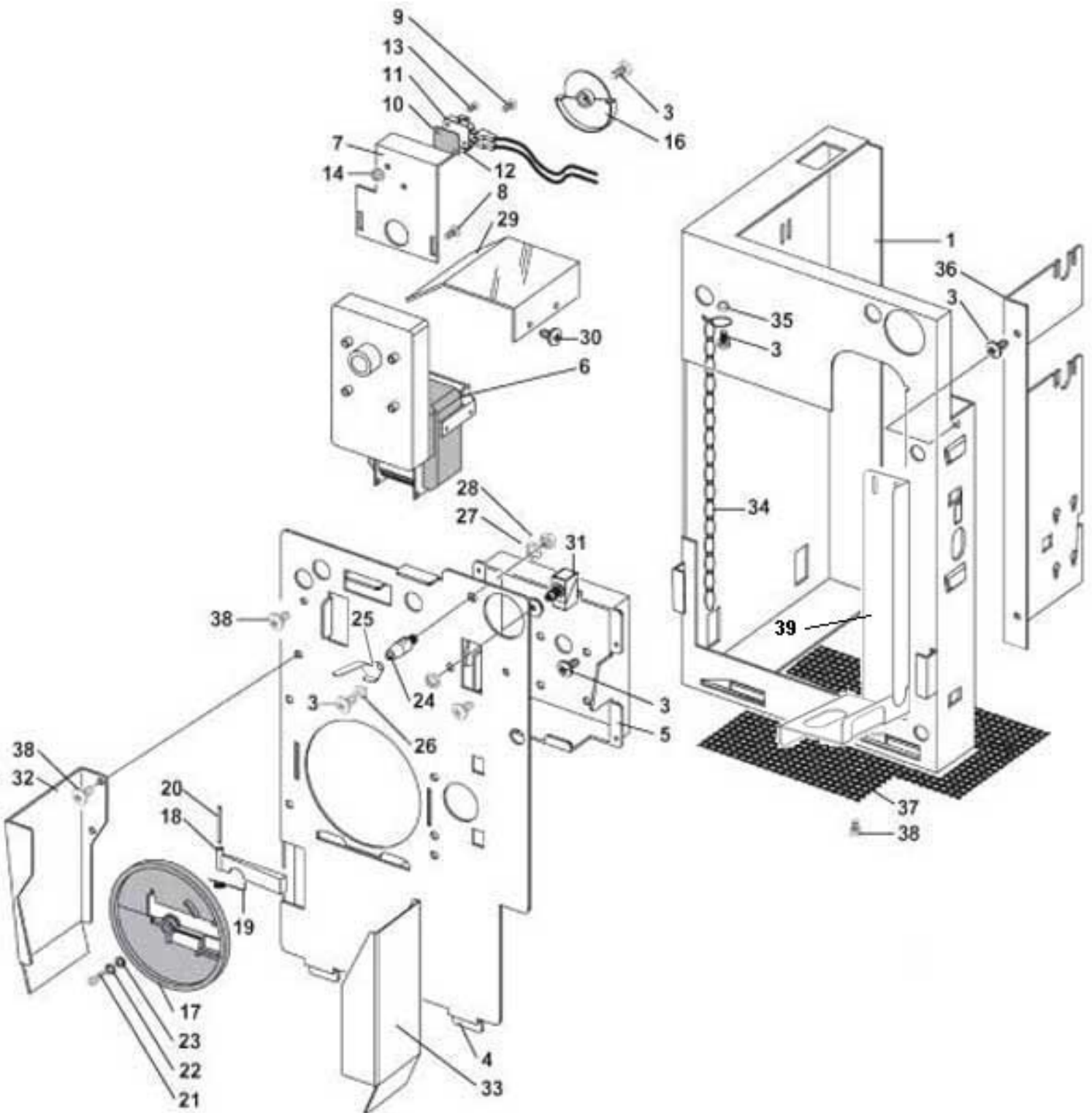
## ECO LUCE - PL BATCHER WITH 24 V AC SETTING

Pos.	Code	Description	
1	ELE0000056	24V DC ELECTROMAGNET W/CABLES	
2	0350003136	ELECTROMAGNET SUPPORT	
	0350003136NA		
3	VIT0000028	M 3x14 TCB SCREW	
4	VIT0000005	M 3x12 TCB SCREW	
5	0350003114	SETTING PIN	
6	VIT0009161	D.3.2 x 8 x 0.4 SPRING	
7	VIT0004814	M.3 SELFLOCKING NUT	
8	0350003112R	MICRO WITH FRONT POSITION LEVER 7 GR	
9	0350003312R	MICRO WITH CENTRAL POSITION LEVER 9 GR	
10	0350003112	ROTATION PIN	
11	VIT0007101	D.3 BENZING-QUICKLOCK	
12	VIT0000009	M 3x30 TCB SCREW	
13	VIT0004502	M3 NUT	
14	0350003113	WEIGHT SETTING WHEEL	
	0350003113NA		
15	0350003122	CONNECTION TO BE TIGHTENED	
16	7500102053	MICRO SPACER	
17	0350003115	SETTING SPRING	
18	VIT0004813	M.3 CAP NUT	
19	VIT0002011	2.9x 9.5 TAPPING TCB SCREW	
20	0350003105	BATCHER BODY	
	0350003105NA		
21/a	0350003106	BLADE Up to serial 04539999	
21/b	0350003314	BLADE From serial 05010001	
	0350003314NA		
22	0350003301	COFFEE FEEDER	
	0350003301NA		
23	0350003302	SHAKER	
24	0350003126	ELECTROMAGNET CONNECTING ROD	
	0350003126NA		
25	VIT0005105	2 x 8 STAINLESS STEEL ELASTIC PIN	
26	0350003111	PIN	
	0350003111NA		
27	VIT0002001	2.9x 6.5 TAPPING TCB SCREW	
28	0350003129	RETURN SPRING	
30	VIT0003102	WASHER tab D. 3.2	
31	0350003124	BATCHER LOCK	
32	0350003128	COVER	
33	VIT0002469	SCREW TC 3.5 x 10 FOR PLASTIC	
100	0350003110CL	24 V DC COFFEE PLASTIC BATCHER W/SETTING	assieme
101	0350003310CL	24 V DC COFFEE PLASTIC BATCHER 9gr	



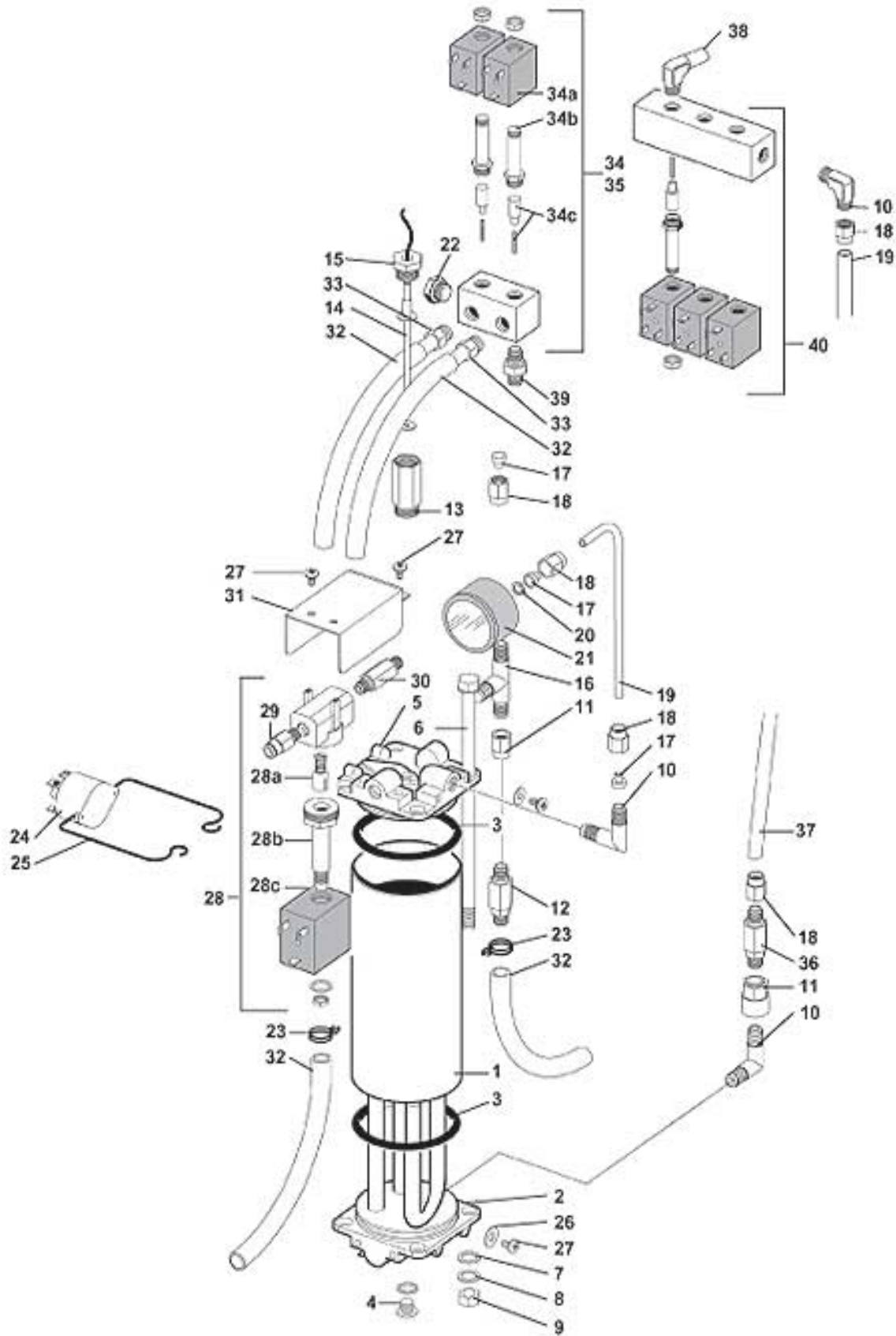
## *ECO LUCE - BOILER COFFEE GROUP HOUSING*

Pos.	Code	Description
1		See table MICRO COFFEE GROUP HOUSING
2	0260010233	GROUNDS BAG SUPPORT
3	IMB0000054	POLY. GREY BAG mm 400x1000x5/100
4		See table MICRO COFFEE GROUP
5		See table MM 150 MICRO GROUP BOILER



## ECO LUCE - MICRO COFFEE GROUP HOUSING

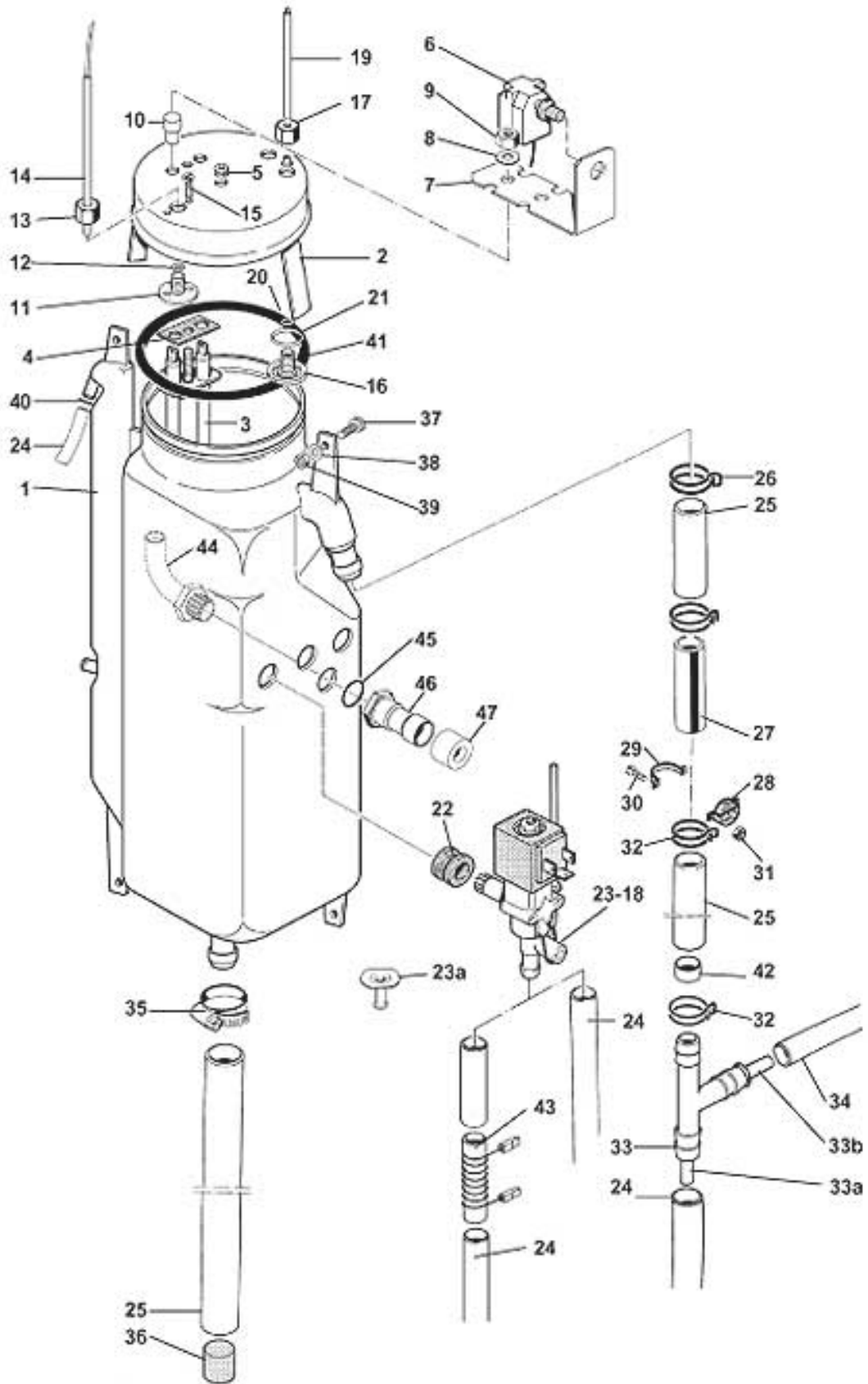
Pos.	Code	Description
1	0260010231	HOUSING STRUCTURE
3	VIT0000030	SCREW TCB M4 x 7
4	0260010217	G.M.S. SUPPORT FRONT
5	0260010102	MICRO GROUP MOTOR SUPPORT
6	0090002186	MICRO GROUP MOTOR
7	0250008093	MICRO PLATE
8	0250008113	ADJUSTMENT SCREW
9	VIT0005511	4x10 TCEI SCREW
10	4600010014	MICRO SPACER
11	ELE0001528	MICRO 83.161.832
12	ELE0001904	MICRO LEVER
13	VIT0000007	M 3x20 TCB SCREW
14	VIT0004701	M3 FR NUT
16	0250008043	GROUP READER DISK
17	0250008012	MOTOR CRANK
18	0250008034	HOOKING LEVER
19	0250008059	SPRING FOR HOOKING LEVER
20	VIT0005205	4 x 40 CYLINDRICAL PIN
21	VIT0005508	4x12 TCEI SCREW
22	VIT0003103	WASHER tab D. 4.3
23	VIT0003003	WASHER D.8 x 4.3 x 0.8
24	0260010103	MICRO GROUP HOOKING BLOCK
25	0010020132	GROUP CONNECTING PLATE
26	VIT0003301	WASHER D.12 x 4.3 x 1.5
27	VIT0003105	WASHER tab D. 6.4
28	VIT0004505	NUT M6
29	0260005164	MOTOR PROTECTION
30	VIT0002001	2.9x 6.5 TAPPING TCB SCREW
31	ELE0001506	MICROSWITCH 83.131.8-IW3M
32	0260010207	COFFEE POWDERS CHUTE
33	0260010112	GROUNDS FEEDER
34	VIT0010102	D. 1.6 CHAIN
35	VIT0004503	NUT M 4
36	0260010218	G.M.S. BOILER SUPPORT
37	0260010229	G.M.S. HOUSING LOWER PROTECTION
38	VIT0002401	TAPPING SCREW TCB 3.5 x 9.5
39	0260010243	DISACHARGED PIPES CAM
100	0260010110R	COFFEE BEANS GROUP MOTOR SUPPORT



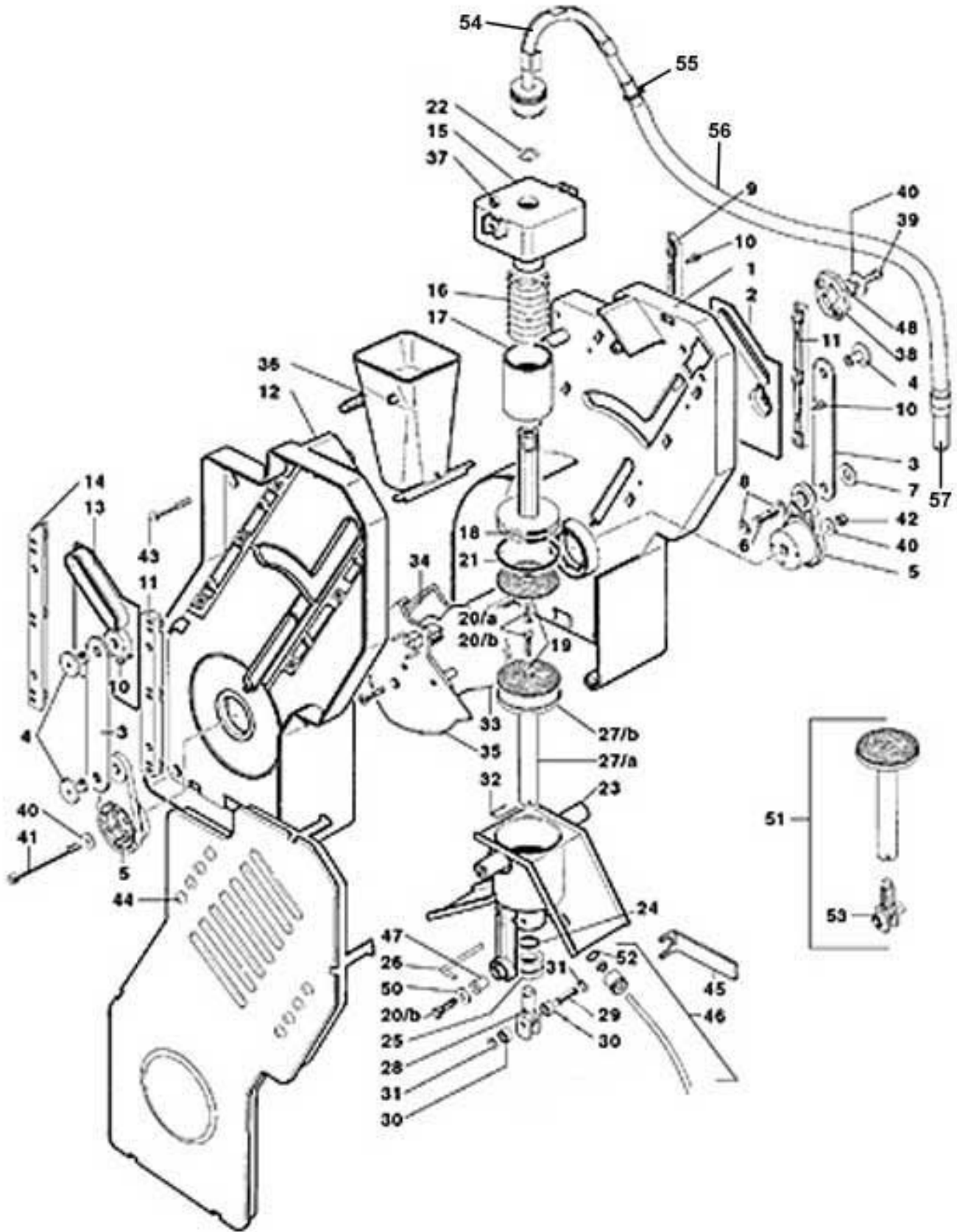
## ECO LUCE - MM 150 MICRO GROUP BOILER

Pos.	Code	Description
1	0600012514	JACKET MM 150
2	0600012512	FLANGE WITH 1100W 230 V HEATING ELEMENT
3	GUA0000047	164 VITON OR
4	0100001064	174 M PLUG + OR
5	0600012532	FLANGE WITH PIPE
6	0600012515	TIE-BOLT MM 177
7	VIT0003206	D. 8.4x16x1.6 WASHER
8	VIT0003402	D. 8.4 GROWER SPRING WASHER
9	VIT0004506	M 8 NUT
10	0100001019	L FITTING D.6-1/8M CON.
11	0100001007	STRAIGHT CONNECTION 1/8F -1/8 FEMALE
12	0110002003	1/8M INLET - 1/8M OUTLET NON-RETURN VALVE
13	0100003012	SAGOMA PROBE CONNECTION
14	ELE0000970	mm 500 BULB PROBE
15	0600015507	PROBE PLUG
16	0100001030	T UNION D.6-1/8-D.6
17	0100002002	LOCKING RING D.6
18	0100001002	NUT FOR PIPE FITTING D.6
19	0600012536	BOILER PIPE mm 150
20	0100003002	COPPER GASKET
21	0110006001	D.40 0-20 bar MANOMETER - 1(8' REAR CONN.
22	4600020115	PLUG
23	FASC000102	D.12 PIPES CLIP
24	ELE0009001	120° CLICSON
25	250020087	SAFETY SWITCH SECURING SPRING
26	1600001098	SYNTHETIC RUBBER D.4.5 SPACER
27	VIT0000030	SCREW TCB M4 x 7
28	0110001072	24 DC 1/8 3-WAY VALVE
28/a	0110010020	CORE WITH SPRING FOR 3-WAY VALVE
28/b	0110010035	3-WAY VALVE SLEEVE
28/c	0110010065	8W 24 D.C. COIL
29	0100001070	STRAIGHT CONNECTION 800 - 1/8 VITON
30	0600012658	VALVE BOILER CONNECTION
31	0600012659	VALVE COVER
32	TSIL07/11T	TRANSPARENT SILICONE PIPE D.7 x 11
33	2500001139	VALVE RUBBER-HOLDER CONNECTION
34	0110001065	2 24 DC E.INF. 2-WAY VALVE W/BLOCK
34/a	0110010062	5W 24 DC COIL
34/b	0110010059	SLEEVE FOR 2-WAY VALVE W/BLOC
34/c	0110010060	CORE W/SPRING FOR 2-WAY VALVE W/BLOCK
35	0110001090	2 24 DC E.INF. 2-WAY VALVE W/BLOCK
35/a	0110010108	5 W 24 DC COIL
35/b	0110010109	SLEEVE FOR 2-WAY VALVE W/BLOCK
35/c	0110010110	CORE W/SPRING FOR 2-WAY VALVE WITH BLOCK
36	0110002004	SAFETY VALVE
37	TNAY000001	D.6*4 POLYAMIDE PIPE
38	0600012555	H2O EV VALVE CONNECTION
39	0100001017	STRAIGHT CONNECTION D.6-1/8M CON.
40	0110001079	3 EV 2 VIE C/BLOCCHETTO 24 DC
100	0600012530	COOFFEE BOILER MM 150 FOR MICRO GROUP

assieme



Pos.	Code	Description	
1/a	0600012619/3L	WATER CONTAINER	
1/b	0600012619/4L	WATER CONTAINER	
2	0600012621	H2O CONTAINER COVER W/SPRING	
3	0600012622	1650W 230 V HEATING ELEMENT	
4	0600012624	HEATING ELEMENT GASKET	
5	GUA0010551	20/65/15 CORE HITCH	
6	ELE0000907	SAFETY SWITCH WITH MANUAL RESET	
7	0600012312	SAFETY SWITCH SUPPORT	
8	VIT0003203	STAINLESS STEEL FLAT WASHER D.5.3 x 10 x 1	
9	VIT0004804	STAINLESS STEEL NUT M5	
10	0600012626	PROBE GUIDE	
11	NL202101016	SOLUBLES PROBE SUPPORT	
12	GUA0000069	2015 OR	
13	0600011107	SOLUBLES PROBE NUT	
14	ELE0000958	SAGOMA SOLUBLES PROBE	
15	VIT0001105	M 3x8 STAINLESS STEEL H.H. SCREW	
16	0600015223	BRASS LEVEL PROBE SUPPORT	*
17	0600015208	LEVEL PROBE SUPPORT NUT	
18	0110001081	24 V DC 2-WAY VALVE -ERA	
19/a	0600015224	mm 130 COATED LEVEL PROBE	*
19/b	0600015225	mm 112 COATED LEVEL PROBE	*
20	GUA0000069	2015 OR	
21	GUA0000062	2056 OR	
22	0600012315	VALVE GASKET	
23	0110001108	24 DCVALVE 2-WAY 70% O	
23/a	0110010132	GASKET FOR EV 0110001108	
24	TSIL07/11T	TRANSPARENT SILICONE PIPE D.7 x 11	
25	TSIL14/20T	D.10x14 NATURAL TRANSPARENT SILICONE PIPE	
26	FASC000106	D.20 PIPES CLIP	
27	0600012316	THEMOSTAT-HOLDER PIPE	
28	ELE0000908	SAFETY SWICTH 65°C WITH MANUAL RESET	
29	ELE0000914	SAFETY SWITCH CONNECTION	
30	VIT0000004	M 3x10 TCB SCREW	
31	VIT0004502	M3 NUT	
32	FASC000104	D-16 PIPES CLIP	
33	0100003007	TEE UNION	
33/a	0600012324	WATER DISCHARGE PIPE REDUCTION	
33/b	0600012325	WATER INLET PIPE REDUCTION	
34	TSIL04/06T	D.4x6 NATURAL TRANSPARENT SILICONE PIPE	
35	FASC000006	HOSE SCREW CLAMP	
36	NL201106295	BOILER DISCHARGE PLUG	
37	NL202100059	BOILER SUPPORTING PIN	
38	VIT0003302	5.5x12x1.5 FLAT WASHER	
39	VIT0004504	M 4 NUT	
40	FASC000102	D.12 PIPES CLIP	
41	GUA0000063	SILICONE 4412 OR	
42	TSIL10/14T	TRANSPARENT SILICONE PIPE D.10 x 14	
43	0810004027	PIPE WITH HEATING ELEMENT FOR INSTANT COFFEE	
44	0600012627CL	STRAIGHT CONNECTION	
45	GUA0000016	121 OR	
46	0600012628	STRAIGHT CONNECTION ESTERNO SOLENOID VALVE	
47	GUA0002006	GASKET 4979	
100	0600012720CL	SAGOMA H ASS.4EV ERA BOILER	assieme
101	0600012721CL	SAGOMA H ASS 4EV ODE BOILER	assieme
102	0600012725CL	SAGOMA H ASS 3EV ERA BOILER	assieme
103	0600012726CL	SAGOMA H ASS 3EV ODE BOILER	assieme

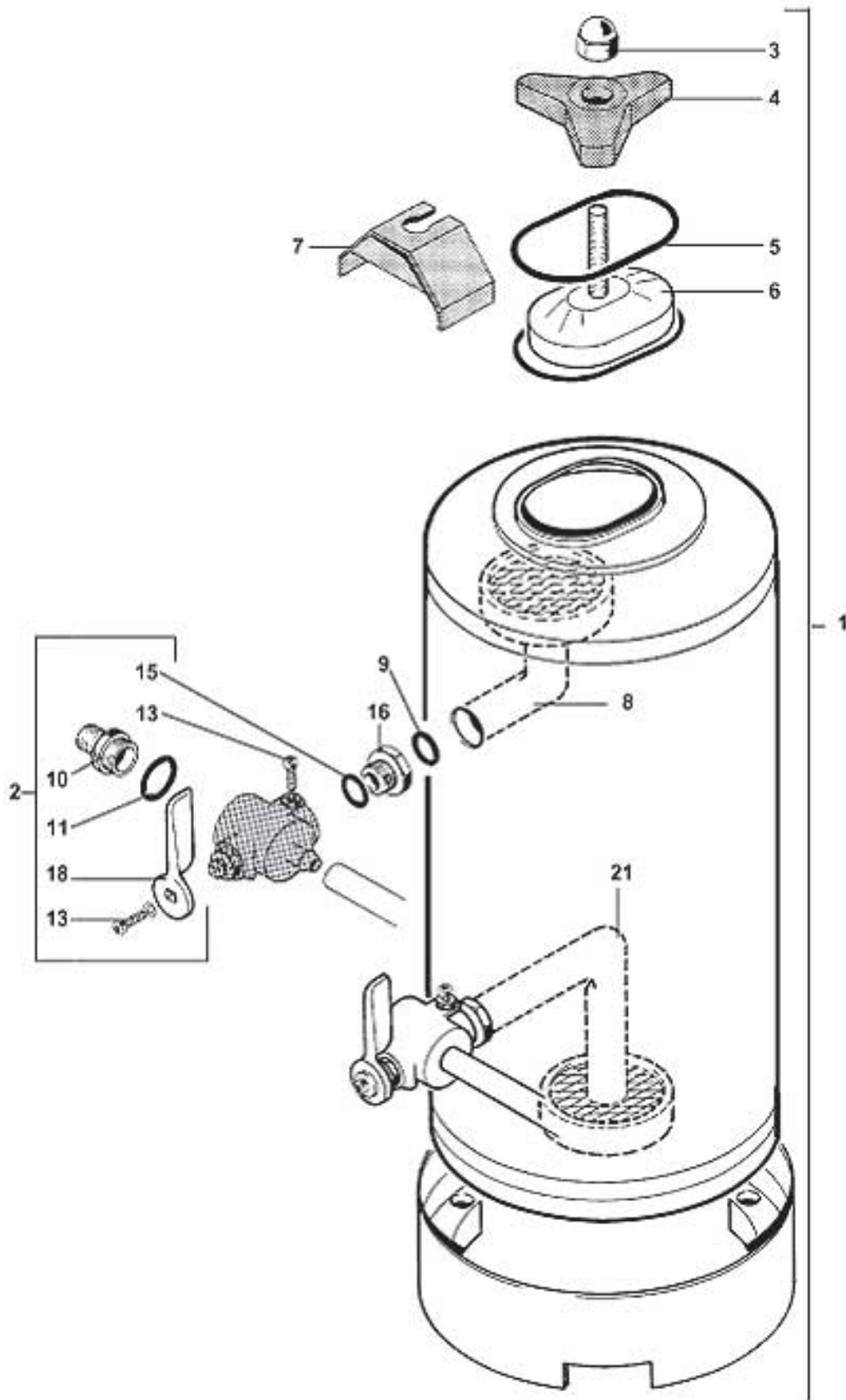


Pos.	Code	Description
1	0250008005	R.H. FRAME
2	0250008084	R.H. INFUSION CHAMBER CAM
3	0250008009	CONNECTING ROD
4	0250008028	PIN FOR CONNECTING ROD
5	0250008011	R.H. CRANK
6	0250008014	MOTOR CRANK PIN
7	0250008042	ANTIVIBRATION WASHER
8	VIT0006515	D.5 RADIAL STOP RING
9	0250008031	R.H. REAR GUIDE
10	VIT0002026	3.5x 6.5 STAINLESS STEEL TAPPING TCB SCREW
11	0250008033	FRONT GUIDE
12	0250008006	L.H. FRAME
13	0250008085	L.H. INFUSION CHAMBER CAM
14	0250008032	L.H. REAR GUIDE
15	0250008086	UPPER FILTER SUPPORT
16	0250008024	UPPER FILTER SPRING
17	0250008087	SPRING COVER PIPE
18/a	0250008026	D.36 UPPER FILTER FOR COFFEE BEANS GROUP D. 36
18/b	0250008208	D.40 UPPER FILTER FOR COFFEE BEANS GROUP D. 40
	0250008208IC	
19/a	0250008099	FILTER FOR COFFEE BEANS GROUP D. 36
19/b	0250008211	FILTER D.40 FOR COFFEE BEANS GROUP D. 40
20/a	VIT0001202	M 3x14 TSP SCREW FOR COFFEE BEANS GROUP D. 40
20/b	VIT0000121	M 3x8 TSP SCREW FOR COFFEE BEANS GROUP D. 40
21/a	GUA0000080	SILICONE 4112 OR FOR COFFEE BEANS GROUP D. 36
21/b	GUA0000097	SILICONE 4131 OR FOR COFFEE BEANS GROUP D. 40
22	VIT0006513	D.8 STAINLESS STEEL INSIDE SEEGER FOR COFFEE BEANS GROUP D. 40
23/a	0250008046R	INFUSION CHAMBER FOR COFFEE BEANS GROUP D. 36
23/b	0250008206	FOR COFFEE BEANS GROUP D. 40
	0250008206IC	
24	GUA0000065	SILICONE OR 112 FOR COFFEE BEANS GROUP D. 40
25	0250008053	LOWER INLET CUP BUSH FOR COFFEE BEANS GROUP D. 40
26	0250008029	GLASS BUSH PIN FOR COFFEE BEANS GROUP D. 40
27/a	0250008108	FILTER SUPPORT SHFT FOR COFFEE BEANS GROUP D. 40
27/b	0250008122	LOWER FILTER FOR COFFEE BEANS GROUP D. 36
27/c	0250008209	LOWER FILTER D.40 FOR COFFEE BEANS GROUP D. 40
	0250008209IC	
	0250008209IC	
28	0250008106	LOWER FILTER ROLL SUPPORT FOR COFFEE BEANS GROUP D. 40
29	0250008021	ROLL SHAFT FOR COFFEE BEANS GROUP D. 40
30	0250008022	ROLL SHAFT FOR COFFEE BEANS GROUP D. 40
31	VIT0006516	D.3.2 RADIAL STOP RING FOR COFFEE BEANS GROUP D. 40
32	0250008027	LOWER FILTER PIN FOR COFFEE BEANS GROUP D. 40
33	0250008033	FRONT GUIDE FOR COFFEE BEANS GROUP D. 40
34	0250008016	R.H. FILTER RECOVERY CAM FOR COFFEE BEANS GROUP D. 40
35	0250008017	L.H. FILTER RECOVERY CAM FOR COFFEE BEANS GROUP D. 40
36	0250008036	COFFEE CONE FOR COFFEE BEANS GROUP D. 40
37	VIT0004803	STAINLESS STEEL NUT M4 FOR COFFEE BEANS GROUP D. 40
38	0250008035	SETTING PLATE FOR COFFEE BEANS GROUP D. 40
39	VIT0000032	M 4x8 INOX TCB SCREW FOR COFFEE BEANS GROUP D. 40
40	VIT0003309	4.3x16x1.5 STAINLESS STEEL FLAT WASHER FOR COFFEE BEANS GROUP D. 40
41	VIT0005523	4x60 STAINLESS STEEL TCEI SCREW FOR COFFEE BEANS GROUP D. 40
42	VIT0004810	M 4 SELFLOCKING NUT FOR COFFEE BEANS GROUP D. 40
43	VIT0002461	SCREW TCCRT 4,2 x 26 FOR COFFEE BEANS GROUP D. 40
44	0250008039	L.H. FRAME COVER FOR COFFEE BEANS GROUP D. 40
	0250008039CM	
	0250008039IC	
45	0250008048	KEY FOR NUT FOR COFFEE BEANS GROUP D. 40
46	0250008050	WATER INLET PIPE ASSEMBLY FOR COFFEE BEANS GROUP D. 40
47	VIT0009203	M 3 CONNECTION FOR THERMOPLASTIC FOR COFFEE BEANS GROUP D. 40
48	VIT0003451	GROWER SPRING WASHER FOR COFFEE BEANS GROUP D. 40
50	0250008088	WASHER FOR CHAMBER CAM FOR COFFEE BEANS GROUP D. 40
51	0250008109R	D.36 LOWER FILTER+ROLL SUPPORT ASSEMBLY FOR COFFEE BEANS GROUP D. 40
52	GUA0000061	2010 VITON OR FOR COFFEE BEANS GROUP D. 40
53	0250008107R	LOWER FILTER ROLL SUPPORT FOR COFFEE BEANS GROUP D. 40
54	0250008130CL	COFFEE OUTLET PIPE ASSEMBLY FOR COFFEE BEANS GROUP D. 40
55	FASC000105	PIPES CLIP FOR COFFEE BEANS GROUP D. 40
56	TSIL06/09T	TRANSPARENT SILICONE PIPE D.6 x 9 FOR COFFEE BEANS GROUP D. 40
57	0380010657NA	DISPENSER PIPE FOR COFFEE BEANS GROUP D. 40
100	0250008001CL	FOR COFFEE BEANS GROUP D. 36
101	0250008201R	MICRO COFFEE GROUP D.40 FOR COFFEE BEANS GROUP D. 40
102	0250008026R	D.36 UPPER FILTER ASSEMBLY FOR COFFEE BEANS GROUP D. 36
103	0250008208R	D.40 UPPER FILTER ASSEMBLY FOR COFFEE BEANS GROUP D. 40
104	0250008108R	D.36 LOWER FILTER FOR COFFEE BEANS GROUP D. 40

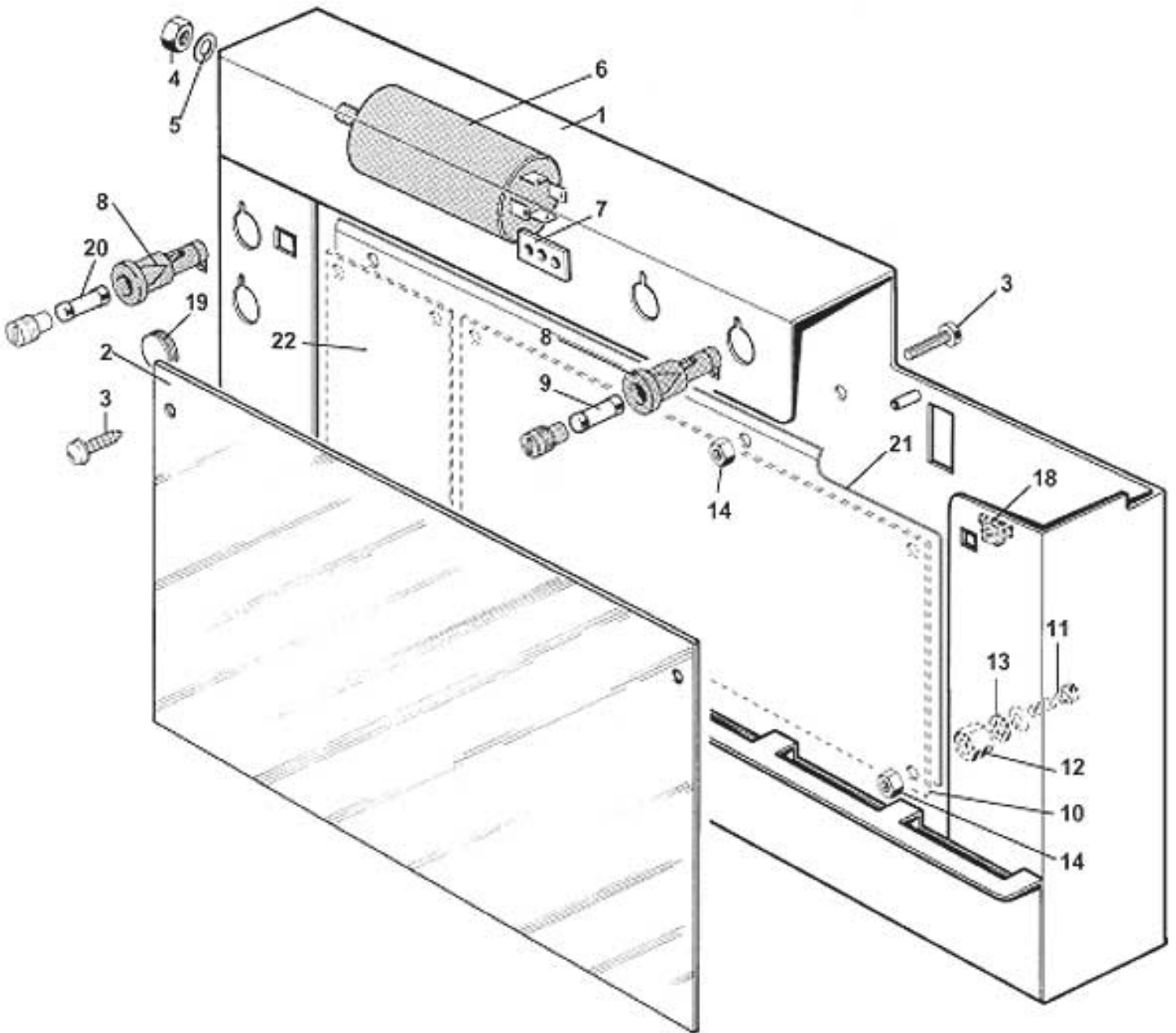
assieme



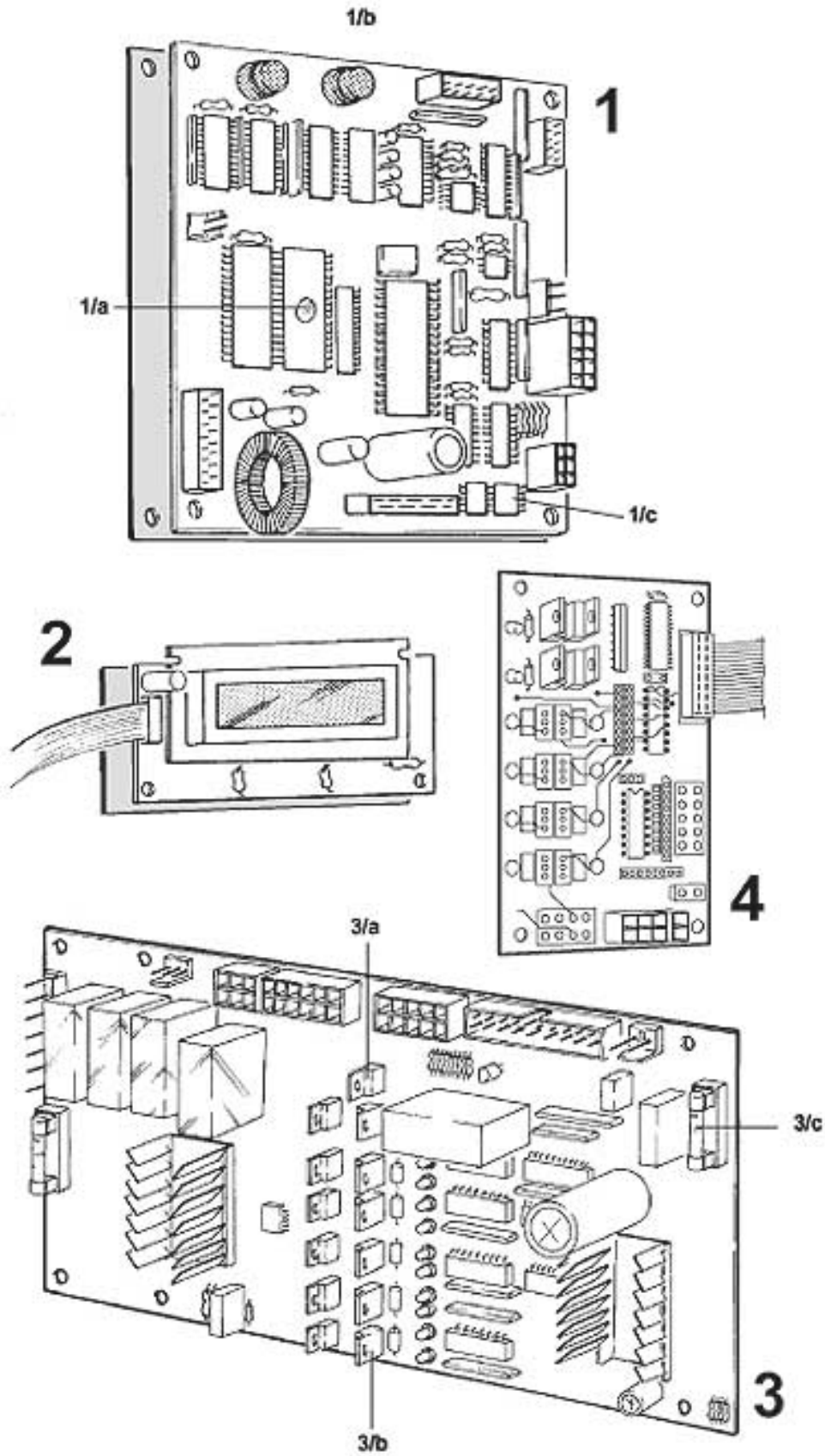
Pos.	Code	Description
1	0800009223	TANK COVER
2/a	0600015213	mm 72 PROBE
2/b	0800008035	mm 135 PROBE
3	VIT0003002	D.3.2x7x0.5 WASHER
4	GUA0000038	2010 OR
5	0800009203	SOLUBLE TANK BODY
5/a	800000010	TANK INTERNAL WALL
6	800000035	COVER SECURING RING
7	GUA0000043	OR 109
8	0800009211	ELBOW WITH RAPID CONNECTION
9	TSIL07/11T	TRANSPARENT SILICONE PIPE D.7 x 11
10	VIT0002009	TAPPING SCREW T.C.B. 3,5 x 6,5
11	0109002002	WATER FILTER
12	TSIL05/09T	D.5x9 NATURAL TRANSPARENT SILICONE PIPE
13	0110007003	VOLUME COUNTER W/RUBBERHOLDER
14	0100003003	TEE UNION
15	TSIL05/08T	TRANSPARENT SILICONE PIPE D.5 x 8
16	0110001039	24 DC INLET VALVE W/SAFETY DEV.
17	GUA0000021	OR 130
18/a	0810010556	1/4'M GAS VALVE CONNECTION
18/b	0010019223	3/8 GAS M WATER INLET VALVE CONNECTION
19	VIT0004502	M3 NUT
20	0100002002	LOCKING RING D.6
21	0100002005	STRENGTHENING BUSH D.4
22	0100001003	NUT FOR PIPE FITTING D.6-1/4
23	TNAY000001	D.6*4 POLYAMIDE PIPE
24	0100001026	L FITTING D.8-1/4 CAN BE ORIENTED
25	0100002003	LOCKING RING D.8
26	0100001005	NUT FOR D.8-3/8 PIPE FITTING
27	0810010606	WATER COMPONENTS SUPPORT
28/a	0220001002	PUMP SUPPORT
28/b	0110004022	BRACKET SUPPORT
29	0100001066	STRAIGHT RAPID CONNECTION 1/8M - 4*6
30	VIT0002401	TAPPING SCREW TCB 3.5 x 9.5
31/a	0110004001	ELECTROMAGNETIC PUMP 7 bar
31/b	0110004004	'FB' PUMP
31/c	0110004002R	ELECTROMAGNETIC PUMP 12 bar
31/d	0110004021	230V 50 HZ PUMP FOR XS CABINET
32	ELE0060094	PUMP CONNECTOR WITH DIODE
33	ELT0005153	1 N 4007 DIODE
34	2500001139	VALVE RUBBER-HOLDER CONNECTION
35	TSIL06/09T	TRANSPARENT SILICONE PIPE D.6 x 9
36	ELE0000915	THERMIC PROTECTION
100	0800008030CL	SAGOMA RECTANGULAR TANK WITH PROBES
101	0810010601CL	SAGOMA E EX 7 VERSION ASSEMBLY



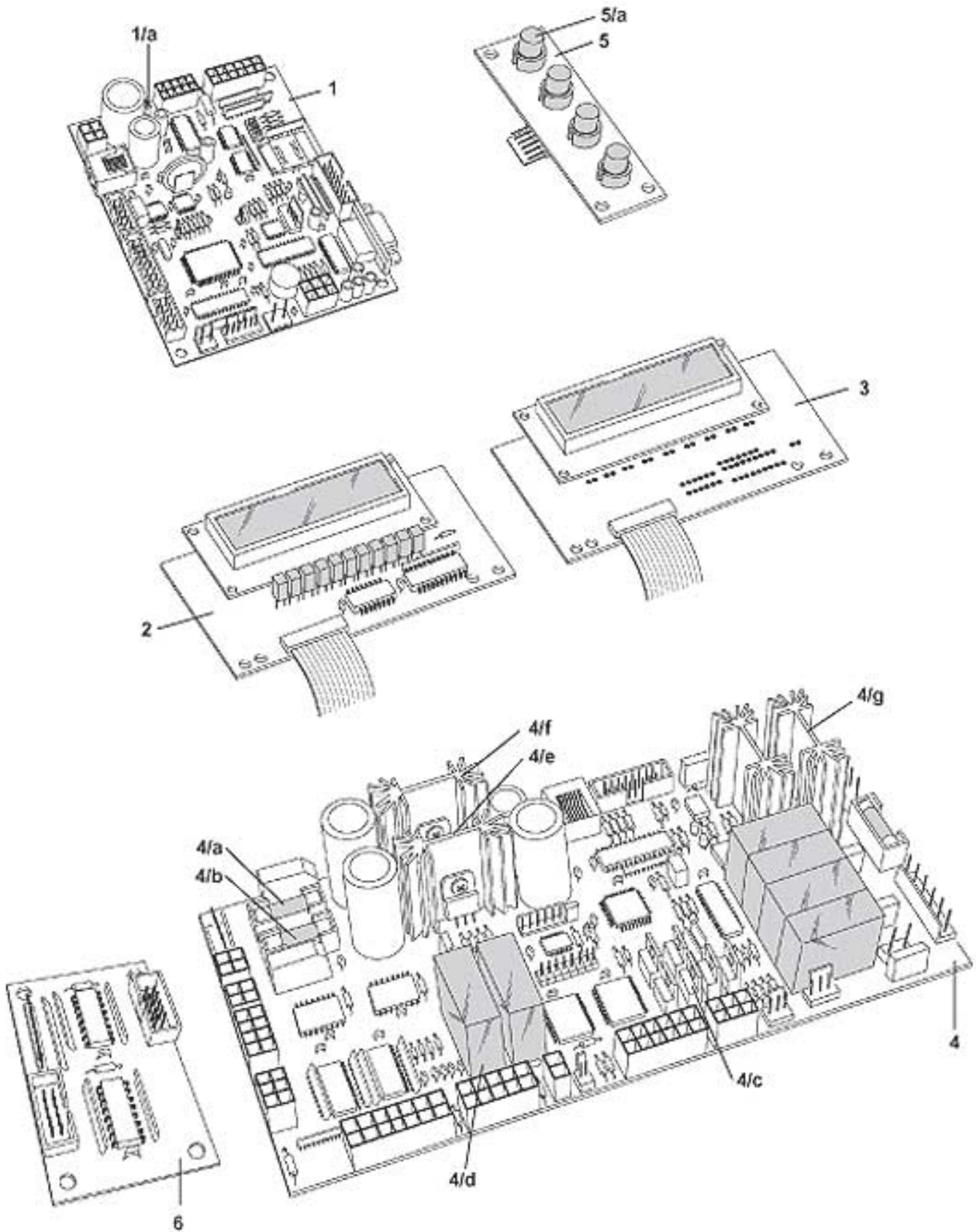
Pos.	Code	Description	
3	0060002031	SWEETENER NUT WITH SPHERIC COVER	
4	0060002032	SWEETENER COVER WHEEL	
5	GUA0000035	OR FOR SWEETENER COVER	
6	0060002033	SWEETENER COVER	
7	0060002034	SWEETENER BRIDGE	
8	0060002035	SWEETENER UPPER FILTER	
9	GUA0000018	125 OR	
10	0060002036	SWEETENER COCK CONNECTION	
11	GUA0000013	117 OR	
13	VIT0001005	SCREW T.C.B. M 4 x 12	
15	0060002037	SWEETENER R 9 GASKET	
16	0060002038	SWEETENER NUT D. 20*1.5	
17	TSIL06/09T	TRANSPARENT SILICONE PIPE D.6 x 9	
18	0060002039	SWEETENER HANDLE	
19	VIT0003301	WASHER D.12 x 4.3 x 1.5	
21	0060002040	SWEETENER LOWER FILTER	
1	0060002001	SWEETENER ASSEMBLY	assieme
2	0060002030	COCK ASSEMBLY	assieme



Pos.	Code	Description
1	0130011508	CONTROL PANEL WITH SUPPORT
2/a	0130011509	CONTROL PANEL COVER W/SUPPORT
2/b	0130011705	CONTROL PANEL SAGOMA H/6
3	VIT0000030	SCREW TCB M4 x 7
4	VIT0004506	M 8 NUT
5	VIT0003106	WASHER tab D. 8
6	ELE0009055	ANTIPARASITIC FILTER
7	ELE0002305	10 A 250 V SOCKET
8	ELE0003507	FUSES HOLDER
9	ELE0003024	SLOW-BLOW CERAMIC TYPE 6.3A FUSES 5 x 20
10	See table NEW ELECTRONIC CONTROL AND POWER LOGIC	
11	VIT0000014	M 4x16 TCB SCREW FOR OLD ELECTRONIC VERSION
12	0020018125	BOARD SPACER FOR OLD ELECTRONIC VERSION
13	VIT0003103	WASHER tab D. 4.3 FOR OLD ELECTRONIC VERSION
17	VIT0004503	NUT M 4 FOR OLD ELECTRONIC VERSION
18	VIT0009109	M 4 NUT IN RETAINER FOR OLD ELECTRONIC VERSION
19	GUA0010505	MEMBRANE CORE HITCH Ø 9 FOR OLD ELECTRONIC VERSION
20	ELE0003023	4 A 6.3x32 SLOW-BLOW CERAMIC TYPE FUSE FOR OLD ELECTRONIC VERSION
21	0130011706	POWER BOARD SUPPORT FOR OLD ELECTRONIC VERSION
22	See table NEW ELECTRONIC CONTROL AND POWER LOGIC	

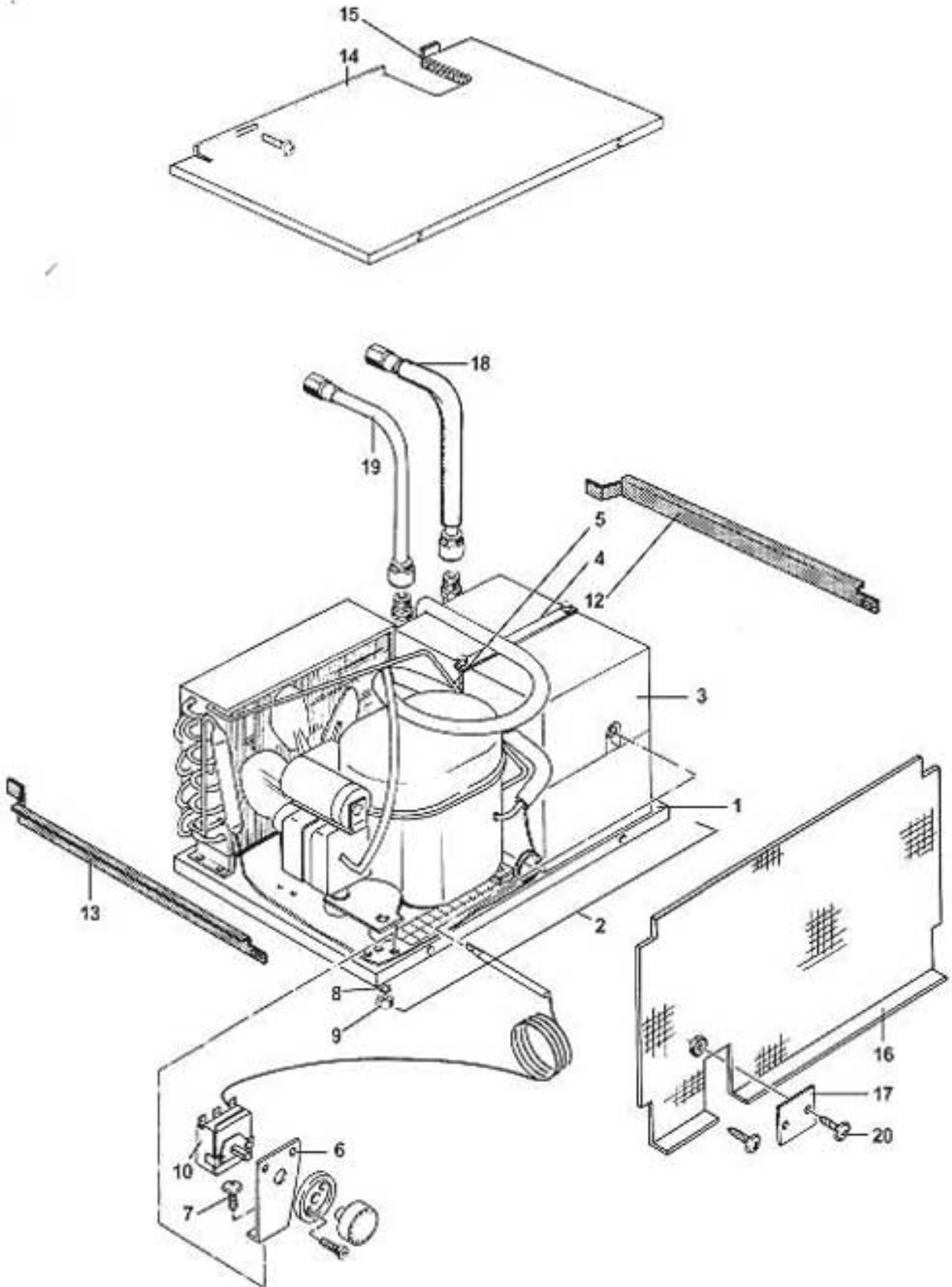


Pos.	Code	Description
1	SCH0002860	DC CPU
1/a	ELT0030059	EPROM 27C512
1/b	ELT0030703	D6 SQUARE KEY
1/c	ELT0030064	EAROM 93C56
1/d	0020022679	CPU BOARD PROTECTION
2	SCH0003020	SAGOMA DISPLAY
2/a	0020034047	DISPLAY INSULATION
3	SCH0003840	SAGOMA DC POWER CONTROL
3/a	ELT0004017	TIP 122 TRANSISTOR
3/b	ELT0004020	TRANSISTOR BDW93C
3/c	ELE0003028	6,3A SLOW-BLOW GLASS FUSE 5x20
4	SCH0004060	SAGOMA DC EXPANSION POWER (ONLY FOR THE E/5 VERSION)

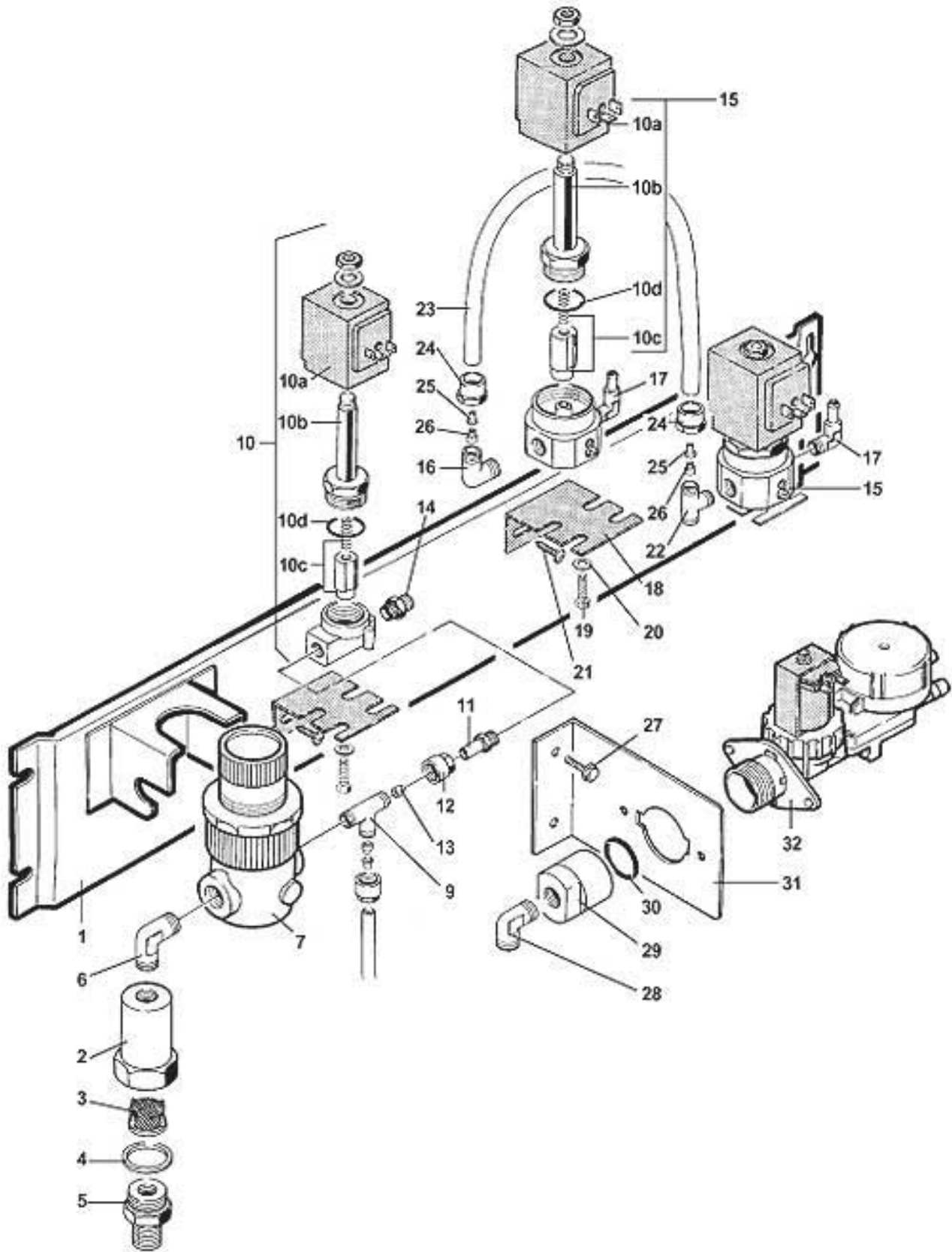


## ECO LUCE - NEW ELECTRONIC CONTROL AND POWER LOGIC

Pos.	Code	Description
1	SCH0004080	CPU DC CARD
1/a	ELT0004005	TRANSISTOR BC 327-25 MOTOROLA
2	SCH0005940	DISPLAY LIGHTBAR LED GREEN
3	SCH0004660	LCD DISPLAY WITHOUT SUGAR QUANTITY
4	SCH0005140	POWER CARD
4/a	ELE0003025	2A RAPID GLASS FUSE 5x20
4/b	ELE0003028	6,3A SLOW-BLOW GLASS FUSE 5x20
4/c	ELT0004005	TRANSISTOR BC 327-25 MOTOROLA
4/d	ELT0007151	1-WAY 24V D.C. 10A RELAY
4/e	ELT0004028	TRANSISTOR VNP14NV04-E ST
4/f	ELT0030301	INTEGRATED CIRCUIT 7805
4/g	ELT0004209	TRIAC TRIAC 16 A
5	SCH0003980	PROG./WASHING KEYBOARD
5/a	ELT0030704	D6 ROUND KEY
6	SCH0004200	KEYBOARD EXPANSION



Pos.	Code	Description	
1	550000001	REFRIGERATING SUPPORT	
2	0550050005	REFRIGERATING GROUP WIHT HEATING ELEMENTS	
3	0550006015	POLYSTYRENE HALF-SHELL	
4	0550006006	TANK SECURING PLATE	
5	0550006005	TANK SECURING TIE-BOLT	
6	3003001036	THERMOSTAT SUPPORT	
7	VIT0000030	SCREW TCB M4 x 7	
8	VIT0003103	WASHER tab D. 4.3	
9	VIT0004503	NUT M 4	
10	ELE0000918	REMOTE THERMOSTAT	
12	0550004076	R.H. SUPPORT	
13	0550004075	L.H. SUPPORT	
14	0550004055	REFRIGERANTED PLAN	
15	0550004018	POLYSTYRENE	
16	0550004021	REFRIGERANTING GROUP PROTECTION	
17	0550004044	FP THERMOSTAT PROTECTION	
18	0810010058CL	REFRIG. OUTLET PIPE TO VALVE ASSEMBLY	
19	0810010057CL	VALVE PIPE W/SETTING TO REFRIGERATING INLET	
20	VIT0000004	M 3x10 TCB SCREW	
21	VIT0004701	M3 FR NUT	
100	0550003006CL	REFRIG. GROUP FP W/THERMOSTAT	assieme



Pos.	Code	Description
1	0810010588	WATER COMPONENTS SUPPORT
2	0170005007	FILTER SUPPORT
3	0110020007	D.20 PLASTIC FILTER
4	GUA0003201	D.26x22x1.5 COPPER GASKET
5	0170005006	FILTER-HOLDER CONNECTION
6	0100001021	L FITTING D.8-1/ MALE CONIC
7	0110003007	WATER MICROREGULATOR 1/4 0-8 bar
9	0100001039	T UNION 1/4-D.8-D.8
10	0110001064	24 DC 1/8 VALVE WITHOUT/SETTING
10/a	0110010065	8W 24 D.C. COIL
10/b	0110010038	2-WAY VALVE SLEEVE
10/c	0110010102	CORE WITH SPRING FOR 2-WAY VALVE D. 4.5
10/d	0110010009	OR FOR 2-WAY VALVE
11	9003001040	WATER INLET VALVE CONNECTION
12	0100001004	NUT FOR D.8-1/4 PIPE FITTING
13	0100002003	LOCKING RING D.8
14	0100001017	STRAIGHT CONNECTION D.6-1/8M CON.
15	0110001076	24 DC 1/8 2-WAY VALVE WITH SETTING
16	0100001019	L FITTING D.6-1/8M CON.
17	820001039	ELBOW TO RUBBERHOLDER CONNECTION
18	0810010211	VALVE SUPPORT BRACKET
19	VIT0000015	M 4x25 TCB SCREW
20	VIT0003301	WASHER D.12 x 4.3 x 1.5
21	VIT0002401	TAPPING SCREW TCB 3.5 x 9.5
22	0100001030	T UNION D.6-1/8-D.6
23	TNAY000001	D.6*4 POLYAMIDE PIPE
24	0100001002	NUT FOR PIPE FITTING D.6
25	0100002005	STRENGTHENING BUSH D.4
26	0100002002	LOCKING RING D.6
27	VIT0000030	SCREW TCB M4 x 7
28	0100001022	L FITTING 6-3/8M CON.
29	0810010558	3/8 GAS M WATER INLET VALVE CONNECTION
30	GUA0000021	OR 130
31	0070012111	WATER INLET VALVE SUPPORT
32	0110001039	24 DC INLET VALVE W/SAFETY DEV.
100	0810010098CL	SAGOMA H/FP 2VALVES W/SETTING ASSEMBLY (FROM POS.1 TO POS.26)

assieme