

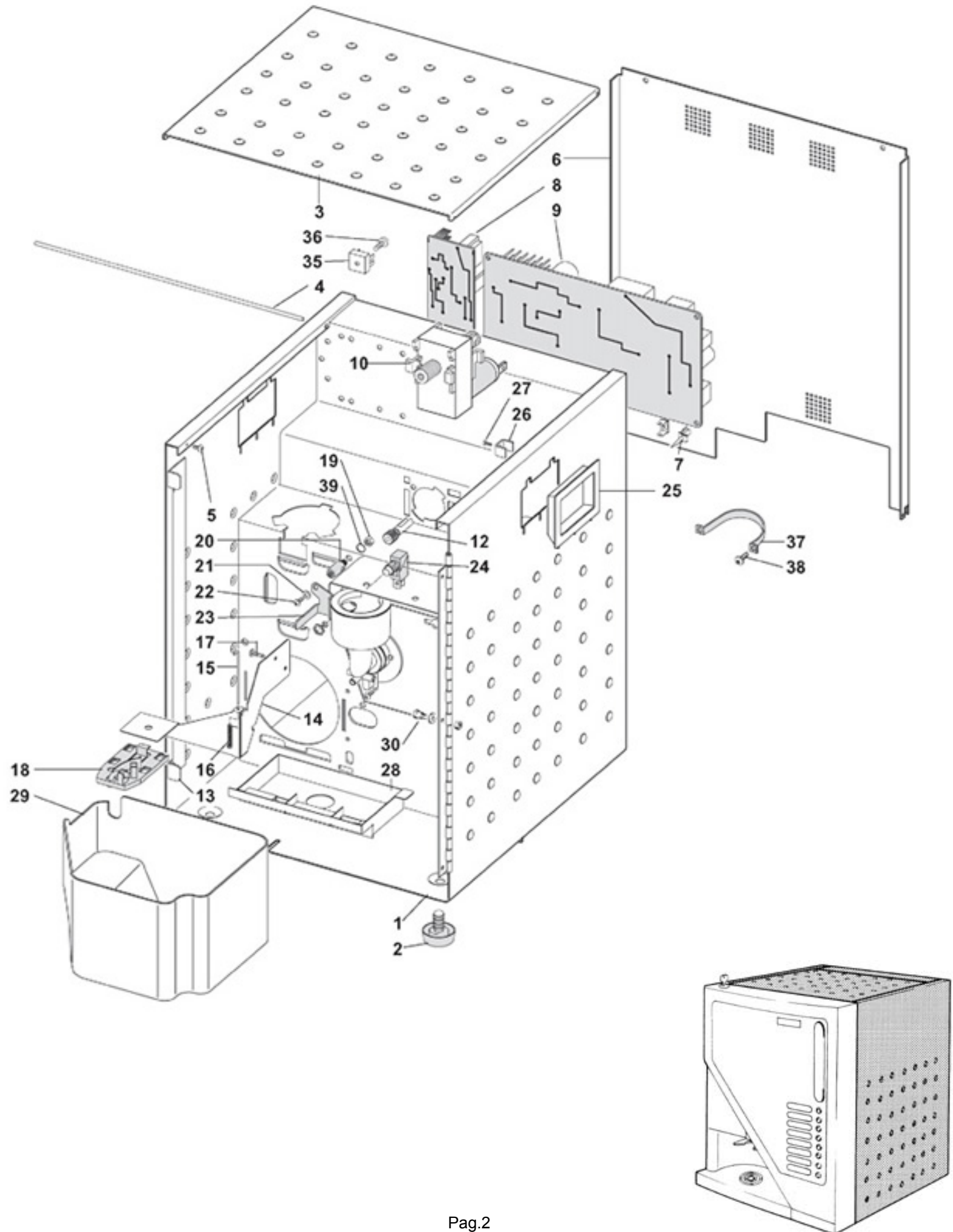
rheavendors 

vending machine

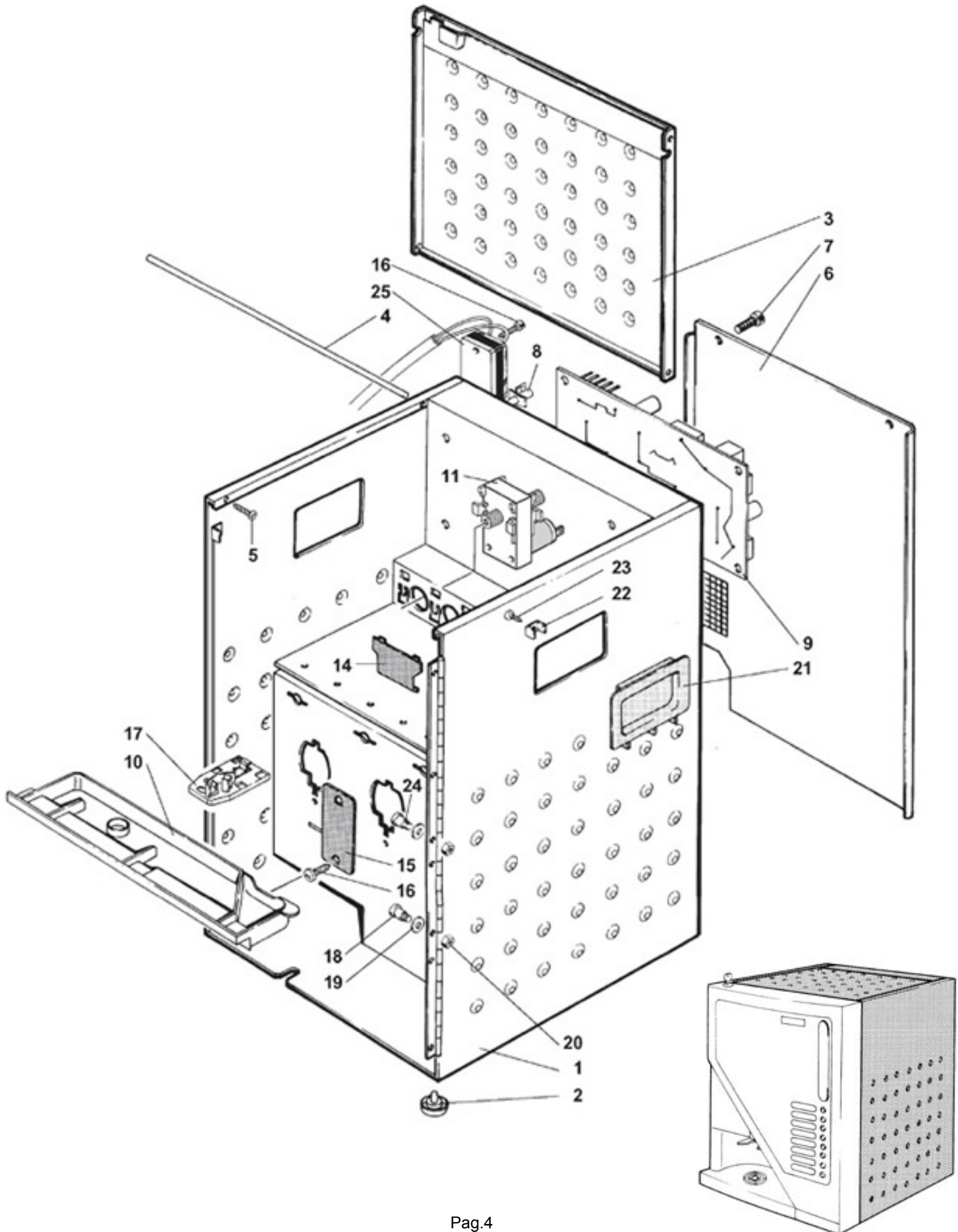
[XS]



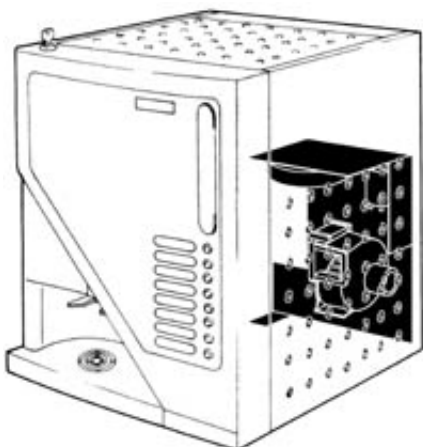
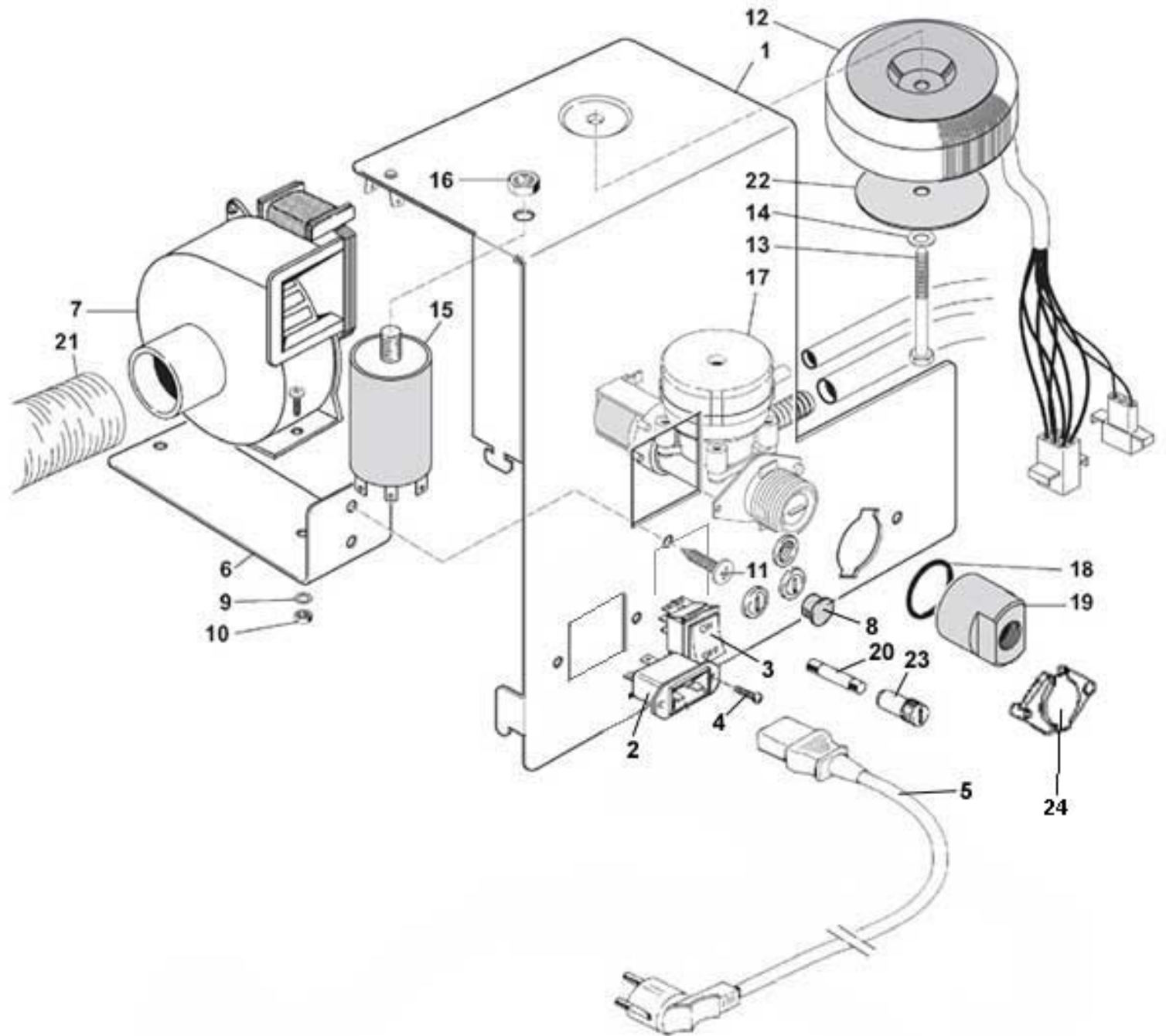
spare parts manual



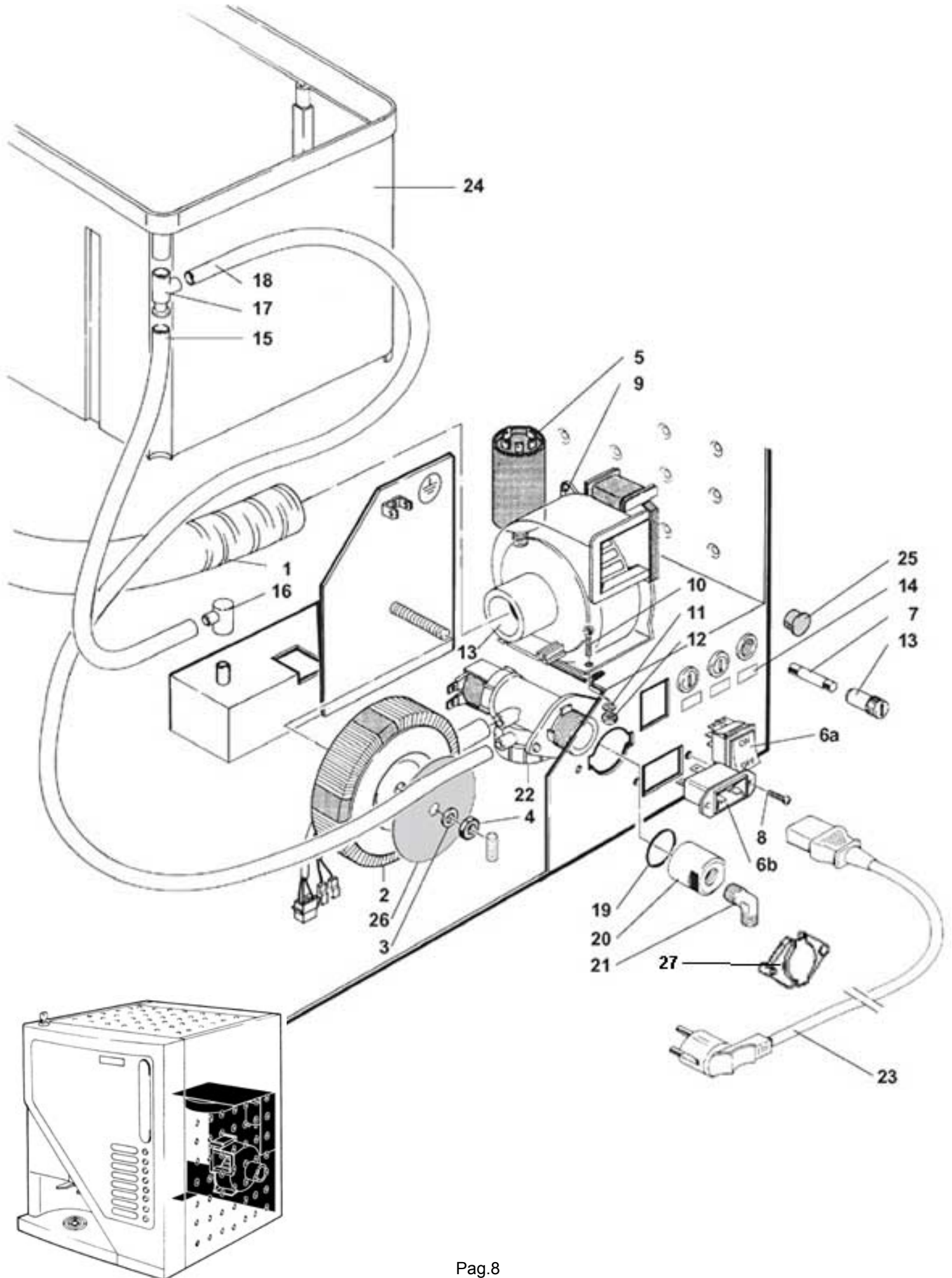
Pos.	Code	Description
1/a	0010020105	'E' CABINET STRUCTURE ASSEMBLY Up to serial 03209999
1/b	0010020805	'E' CABINET STRUCTURE ASSEMBLY From serial 03210001
1/c	0010020801	S/B 'E' CABINET STRUCTURE ASSEMBLY
2	0010020169	CABINET FEET ASSEMBLY
3	0010020113	'E' UPPER COVER
4	0010020022	SHAFT UPPER COVER
5	VIT0002009	TAPPING SCREW T.C.B. 3,5 x 6,5
6	0010020114	'E' REAR DOOR
7	ELE0062008	BOARD SUPPORT
8	See table	CONTROL AND POWER LOGIC
9	See table	CONTROL AND POWER LOGIC
10	0090002113	MR NCJM2480-X 24VDC
11	0010020031	GEAR MOTOR SUPPORT
12	0090002112	Z18 D.15 LONG SHAFT
13	0010020133	JOINT FRONT COVER
14	0010020134	JOINT SIDE COVER
15	0010020137	JOIN PIN
16	0010020138	JOINT SPRING
17	VIT0002401	TAPPING SCREW TCB 3.5 x 9.5
18	0010020409	PIPES SUPPORT
19	VIT0004505	NUT M6
20	0010020196	MICRO GROUP HOOKING BLOCK
21	VIT0003301	WASHER D.12 x 4.3 x 1.5
22	VIT0000030	SCREW TCB M4 x 7
23	0010020132	GROUP CONNECTING PLATE
24	ELE0001506	MICROSWITCH 83.131.8-IW3M
25	0010020026NA	HANDLE
26	4600010012	SECURING CONNECTION
27	VIT0002469	SCREW TC 3.5 x 10 FOR PLASTIC
28	0010022115	EXHAUST DRAWER
29	0010020191	GROUNDS CONTAINER
30/a	0010020116	'E' 2 MIXER SUPPORT
30/b	0010020125	'E' 1 MIXER SUPPORT
31	0020035125	PLASTIC COIN BOX LONG SPACER
32	VIT0003003	WASHER D.8 x 4.3 x 0.8
33	VIT0004503	NUT M 4
34	0020035124	PLASTIC COIN BOX SHORT SPACER
35	ELT0006005	25 A 600 V DIODE BIDGE
36	VIT0000014	M 4x16 TCB SCREW
37	0010020186	PIPES CLIP
38	VIT0000013	M 4x12 TCB SCREW
39	GUA0000086	OR 104 SILICONE



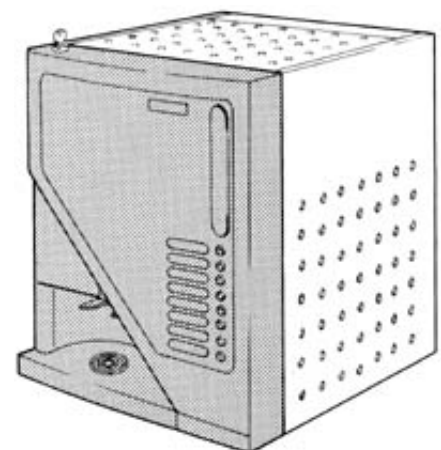
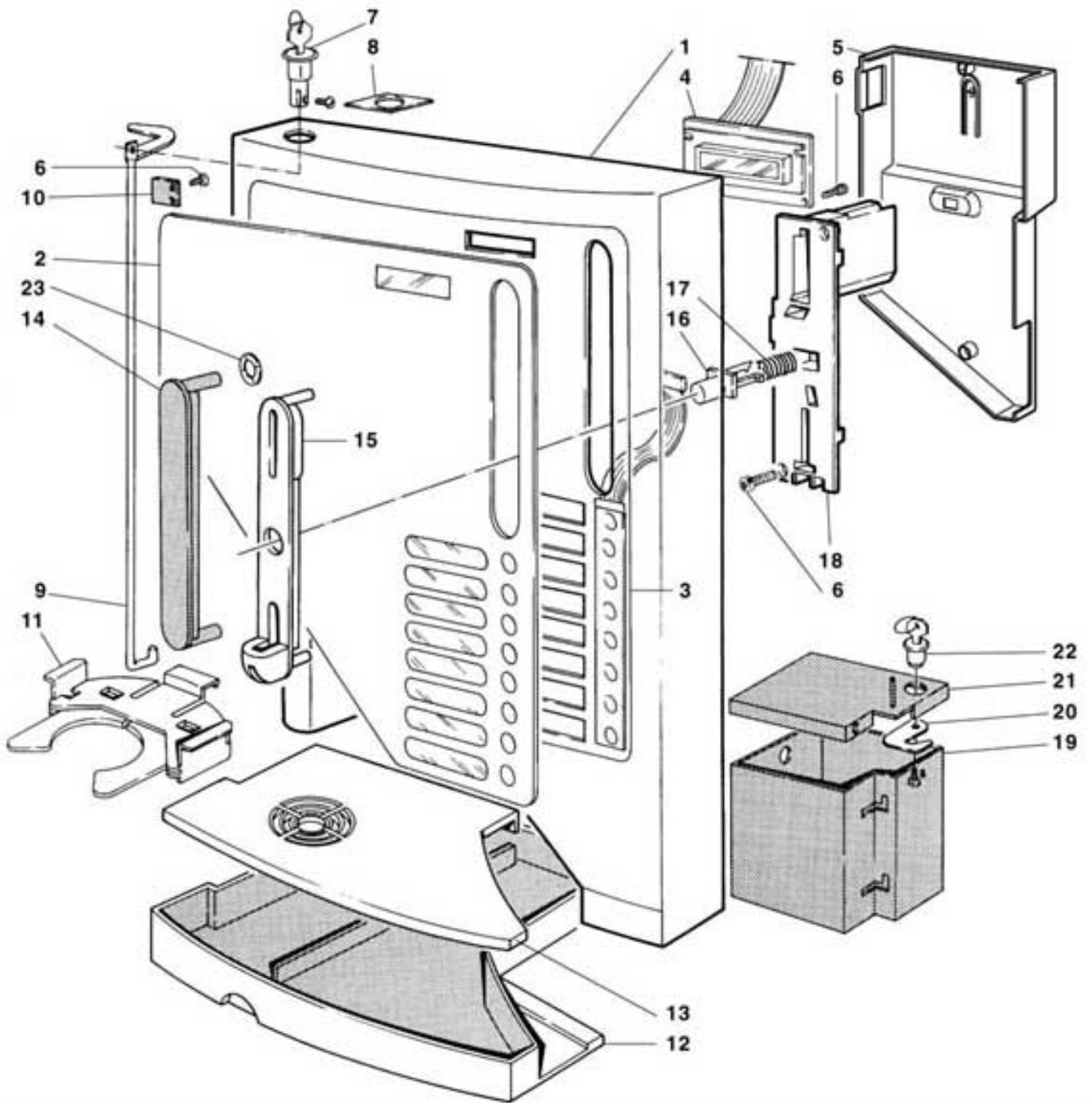
Pos.	Code	Description
1/a	0010020005	XS-H CABINET STRUCTURE ASSEMBLY Up to serial 0201999
1/b	0010020355	XS-H 110 V CABINET STRUCTURE ASSEMBLY Up to serial 0201999
1/c	0010020065	CABINET STRUCTURE Up to serial 03219999
1/d	0010020784	CABINET STRUCTURE From serial 03220001
2	GUA0011011	D.25 SELFLOCKING FEET WITH PIN
3	0010020021	UPPER COVER
4	0010020022	SHAFT UPPER COVER
5	VIT0002009	TAPPING SCREW T.C.B. 3,5 x 6,5
6/a	0010020017R	REAR DOOR Up to serial 0201999
6/b	0010020164R	U.S.A. REAR DOOR From serial 0202001
7	VIT0000030	SCREW TCB M4 x 7
8	ELE0062008	BOARD SUPPORT
9	See table COFFEE BEANS CONTAINER GROUP	
10/a	0010020016	2-HOLE EXHAUST DRAWER Up to serial 0201999
10/b	0010020072	EXHAUST DRAWER From serial 0202001
11	0090002113	MR NCJM2480-X 24VDC
12		
13		
14	0010020029NA	
15	0010020028NA	
16	VIT0002401	TAPPING SCREW TCB 3.5 x 9.5
17/a	0010020051	SUPPORT FOR PRODUCT PIPE
17/b	0010020057	INOX SUPPORT FOR PRODUCT PIPE + H2O
18/a	4060010126	PLASTIC COIN DRAWER BOX
18/b	0020035125	PLASTIC COIN BOX LONG SPACER
19	VIT0003003	WASHER D.8 x 4.3 x 0.8
20	VIT0004503	NUT M 4
21	0010020026NA	HANDLE
22	4600010012	SECURING CONNECTION
23	VIT0002028	TAPPING SCREW TCB 3.5 x 9.5
24	0020035124	PLASTIC COIN BOX SHORT SPACER
25	ELE0001012	RELAY OPT 22



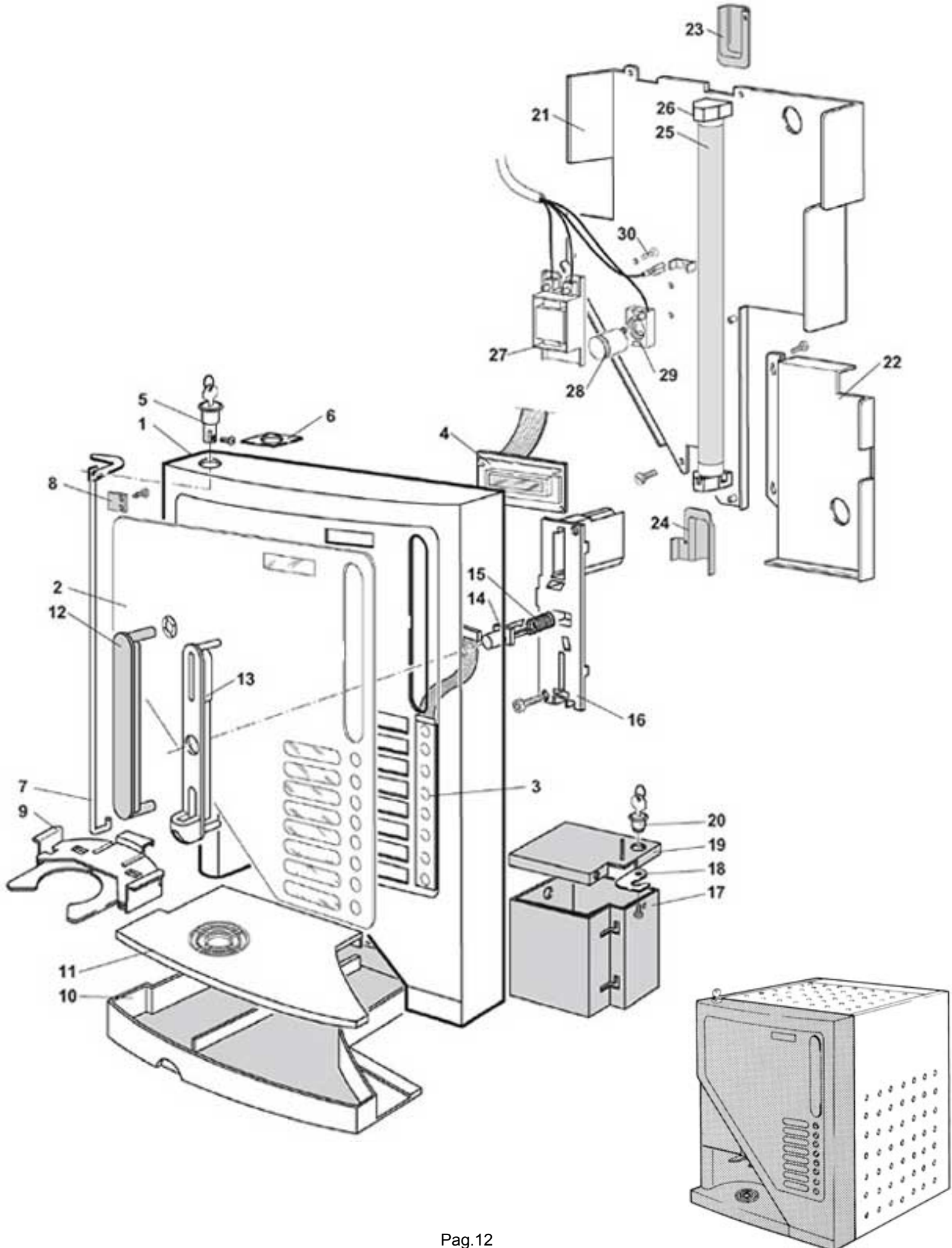
Pos.	Code	Description
1	0010020813	EXHAUST SUPPORT
2	ELE0002310	IEC 15A 250V SOCKET
3	ELE0002014	15A 250V ON/OFF UL/CSA BIPOLAR SWITCH
4	VIT0002009	TAPPING SCREW T.C.B. 3,5 x 6,5
5/a	ELE0055008	POWER LEAD 3 x 1 SOCKET AND SCHUKO PLUG
5/b	ELE0055009	POWER LEAD 3 x 1 WITH IEC SOCKET AND CH PLUG
5/c	ELE0055010	POWER LEAD 3 x 1 WITH IEC SOCKET AND GB
5/d	ELE0055013	POWER LEAD IL IEC SOCKET
6	0010020145	EXHAUST SUPPORT
7	ELE0000459	CENTRIFUGAL EXHAUSTER
8	GUA0011010	RELEASE PLUG
9	VIT0003103	WASHER tab D. 4.3
10	VIT0004503	NUT M 4
11	VIT0002401	TAPPING SCREW TCB 3.5 x 9.5
12	ELE0000569R	TOROIDAL TRANSFORMER ASSEMBLY
13	VIT0000241	M 6x60 H.H. SCREW
14	VIT0003005	6.4x12.5x1.6 FLAT WASHER
15	ELE0009055	ANTIPARASITIC FILTER
16	VIT0004506	M 8 NUT
17	0110001086	24 DC INLET VALE WITH SAFETY DEVICE (*) JUST FOR MAIN WATER SUPPLY
18	GUA0000021	OR 130 JUST FOR MAIN WATER SUPPLY
19	0810010558	3/8 GAS M WATER INLET VALVE CONNECTION JUST FOR MAIN WATER SUPPLY
20	ELE0003024	SLOW-BLOW CERAMIC TYPE 6.3A FUSES 5 x 20 JUST FOR MAIN WATER SUPPLY
21	TEOL0000002	EXTERNAL WRINKLED PIPE D.30 JUST FOR MAIN WATER SUPPLY
22	GUA0005016	GUARNIZIONE GOMMA TRASFORMATOIR JUST FOR MAIN WATER SUPPLY
23	ELE0003507	FUSES HOLDER JUST FOR MAIN WATER SUPPLY
24	0010020839	EV HOLE PLUG JUST FOR MAIN WATER SUPPLY



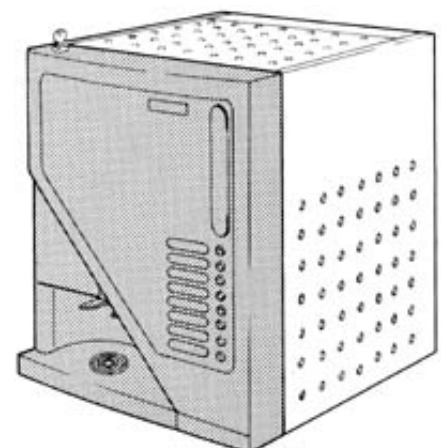
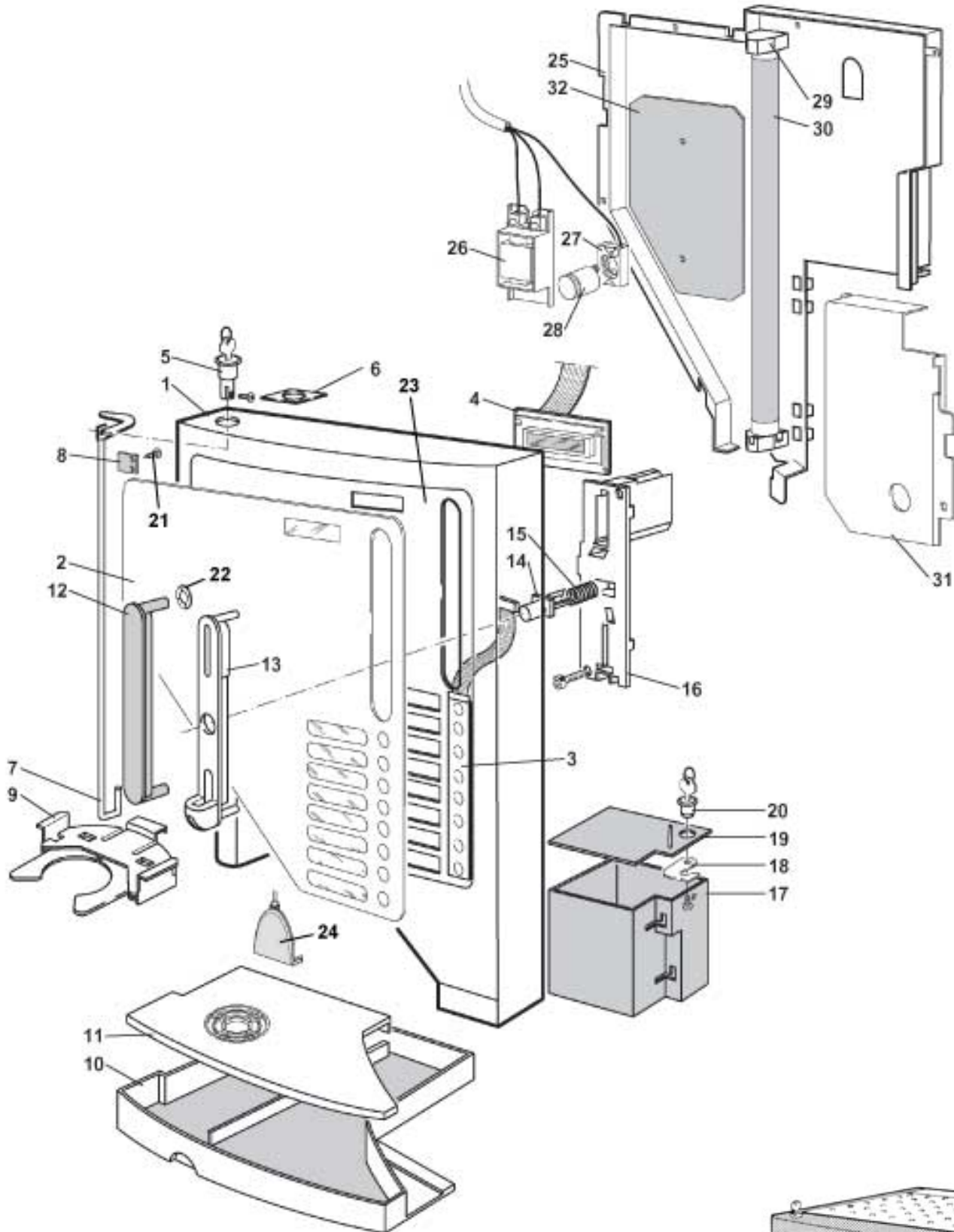
Pos.	Code	Description
1	TEOL000002	EXTERNAL WRINKLED PIPE D.30
2/a	ELE0000555CL	TOROIDAL TRANSFORMER 230V
2/b	ELE0000571CL	100 VA TRANSFORMER
3	VIT0003303	WASHER D.6,5 x 18 x 1,5
4	VIT0004505	NUT M6
5	ELE0009055	ANTIPARASITIC FILTER
6	ELE0002309CL	PANEL SWITCH + CABLE Up to serial 0201999
6/b	ELE0002310	IEC 15A 250V SOCKET From serial 0202001
6/a	ELE0002014	15A 250V ON/OFF UL/CSA BIPOLAR SWITCH From serial 0202001
7/a	ELE0003004	5 A 5x20 SLOW-BLOW GLASS FUSE Up to serial 0201999
7/b	ELE0003024	SLOW-BLOW CERAMIC TYPE 6.3A FUSES 5 x 20 From serial 0202001
8	VIT0002401	TAPPING SCREW TCB 3.5 x 9.5
9/a	ELE0000355	EXHAUST FAN
9/b	ELE0000459	CENTRIFUGAL EXHAUSTER
10	VIT0000012	SCREW T.C.B. M 4 x 10
11	VIT0003103	WASHER tab D. 4.3
12	VIT0004503	NUT M 4
13	ELE0003507	FUSES HOLDER
14	1010100110	FUSE LABEL 12A
15	TSIL10/14T	TRANSPARENT SILICONE PIPE D.10 x 14
16	0600016030	Overflow fitting
17	0600016028	BOILER T
18	TSIL07/11T	TRANSPARENT SILICONE PIPE D.7 x 11
19	GUA0000021	OR 130
20	0810010558	3/8 GAS M WATER INLET VALVE CONNECTION
21	0100001022	L FITTING 6-3/8M CON.
22	0110001058	EV.DIS.SICUR.800.150 MOD.24VDC
23/a	ELE0055008	POWER LEAD 3 x 1 SOCKET AND SCHUKO PLUG
23/b	ELE0055009	POWER LEAD 3 x 1 WITH IEC SOCKET AND CH PLUG
23/c	ELE0055010	POWER LEAD 3 x 1 WITH IEC SOCKET AND GB
23/d	ELE0055011	POWER LEAD WITH IEC SOCKET AND USA PLUG
23/e	ELE0055012	POWER LEAD SCHUKO-SOCKET IEC 16A
23/f	ELE0055013	POWER LEAD IL IEC SOCKET
24	See table MIXER	
25	GUA0011010	RELEASE PLUG
26	GUA0005016	GUARNIZIONE GOMMA TRASFORMATORE
27	0010020839	EV HOLE PLUG
100	ELE0003507CL	FUSES HOLDER + FUSES



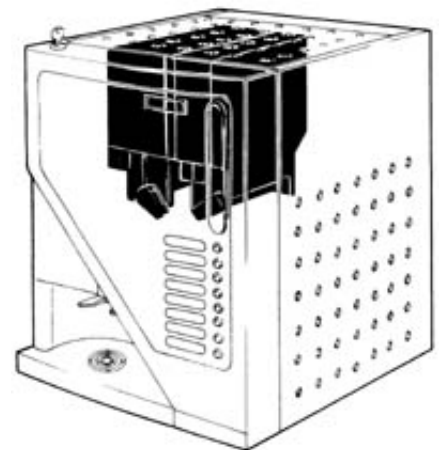
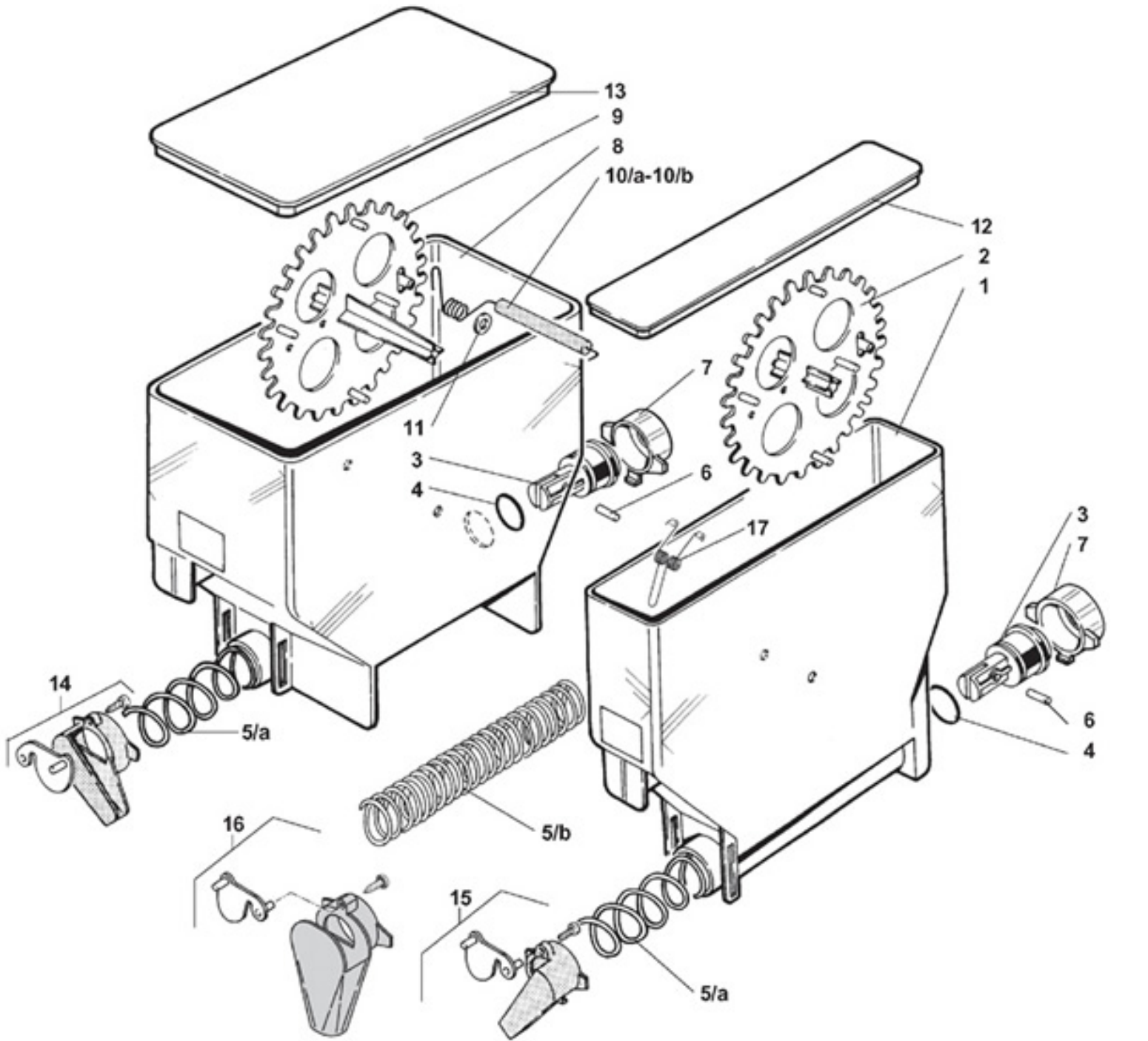
Pos.	Code	Description	
1/a	0020035105	ROUNDED DOOR	
1/b	0020035005	ROUNDED DOOR	
2	0020035013	ADHESIVE FRONT PANEL	
3	0020035036	8-KEY KEYBOARD	
4	See table	CONTROL AND POWER LOGIC	
5	0020035008	DISPLAY COVER	
6	VIT0002469	SCREW TC 3.5 x 10 FOR PLASTIC	
7	SER0000012	BOX 5 RAPID EXTENSION LOCK	
8	0020035041	LOCK PLATE	
9/a	0020035045	DOOR LOCK PIN	
9/b	0020035055	DOOR LOCK PIN	
10	0020035046	PIN STOP PLATE	
11/a	0020027080R	BLACK CUP SUPPORT WITH CONNECTION	
11/b	0020027081R	RED CUP SUPPORT WITH CONNECTION	
12	0020035006	WATER COLLECTION TRAY	
13	0020035007	WATER COLLECTION TRAY GRATE	
14/a	0020035029NA	BLACK COIN BOX BLOCKING TAB	
14/b	0020035029KB	RED COIN BOX BLOCKING TAB 1531	
15/a	0020035031NA	BLACK COIN BOX TAB	
15/b	0020035031KB	RED COIN BOX tab 153154	
16/a	0020035033KA	RED COIN RETURN BUTTON 3020	
16/b	0020035033KB	RED COIN RETURN BUTTON 3020	
16/c	0020035033CM	COIN RETURN BUTTON RAL 9006	
17	0020035034	COIN RETURN BUTTON SPRING	
18	0020035032NA	COIN BOX SUPPORT	
19/a	0020035123NA	PLASTIC COIN DRAWER	
19/b	0020035116	COIN BOX XS	
20/a	0020035114	COIN BOX LOCK HOOK	*
20/b	0020035126NA	PLASTIC COIN DRAWER HOOK	**
21/a	0020035115	COIN BOX COVER XS	*
21/b	0020035122NA	BLACK COIN BOX COVER ASSEMBLY	**
22/a	SER0000015	154 RAPID BOX LOCK	*
22/b	SER0000001	BOX 5 20 mm LOCK	
23	VIT0007109	BUSH	
100	0020035115R	SHEET METAL COVER ASSEMBLY (POS. 18/A+19/A+20/A)	assieme
101	0020035122R	PLASTIC COVER ASSEMBLY (POS. 18/A+19/A+20/A)	assieme



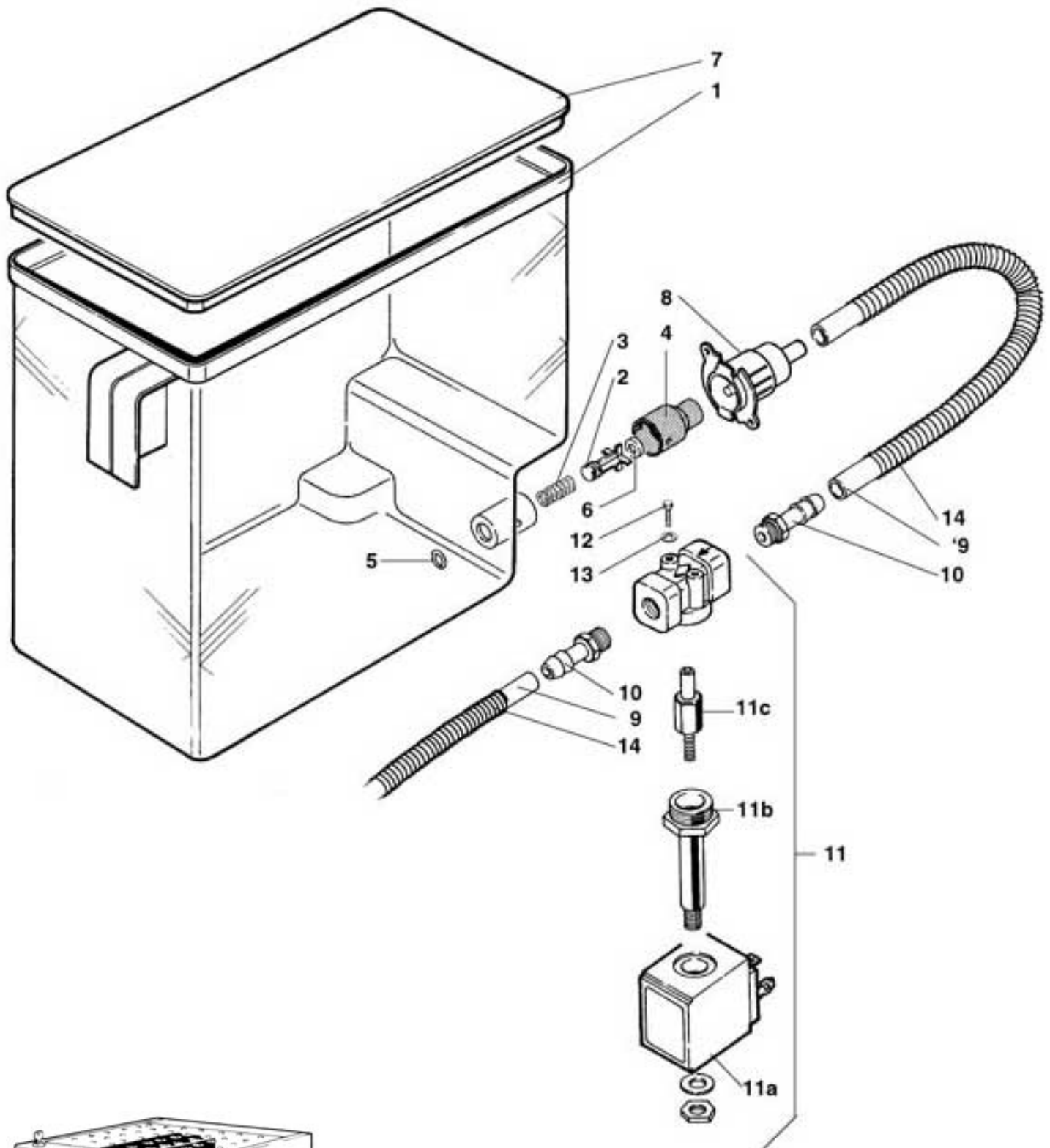
Pos.	Code	Description	
1	0020035135	BLACK DOOR	
2	0020035013	ADHESIVE FRONT PANEL	
3	0020035036	8-KEY KEYBOARD	
4	see tab. 16		
5	SER0000012	BOX 5 RAPID EXTENSION LOCK	
6	0020035041	LOCK PLATE	
7	0020035055	DOOR LOCK PIN	
8	0020035046	PIN STOP PLATE	
9/a	0020027081R	RED CUP SUPPORT WITH CONNECTION	
9/b	0020027080R	BLACK CUP SUPPORT WITH CONNECTION	
10	0020035006	WATER COLLECTION TRAY	
11	0020035007	WATER COLLECTION TRAY GRATE	
12/a	0020035029NA	BLACK COIN BOX BLOCKING TAB	
12/b	0020035029KB	RED COIN BOX BLOCKING TAB 1531	
13/a	0020035031NA	BLACK COIN BOX TAB	
13/b	0020035031KB	RED COIN BOX tab 153154	
14/a	0020035033KA	RED COIN RETURN BUTTON 3020	
14/b	0020035033KB	RED COIN RETURN BUTTON 3020	
14/c	0020035033CM	COIN RETURN BUTTON RAL 9006	
15	0020035034	COIN RETURN BUTTON SPRING	
16	0020035032NA	COIN BOX SUPPORT	
17/a	0020035116	COIN BOX XS	
17/b	0020035123NA	PLASTIC COIN DRAWER	
18/a	0020035114	COIN BOX LOCK HOOK	*
18/b	0020035126NA	PLASTIC COIN DRAWER HOOK	**
19/a	0020035115	COIN BOX COVER XS	*
19/b	0020035122NA	BLACK COIN BOX COVER ASSEMBLY	**
20/a	SER0000015	154 RAPID BOX LOCK	*
20/b	SER0000001	BOX 5 20 mm LOCK	
21	0020035141	LAMP TRAIL SHEET	
22	0020035143	LABEL INSERTION DOOR	
23	0020035137	UPPER CABLES PROTECTION	
24	0020035138	LOWER CABLES PROTECTION	
25	ELE0009018	L 8 W 20 LAMP	
26	ELE0009107	BIPLUG G 13 LAMP HOLDER	
27	ELE0009127	220 V BALLAST	
28	ELE0009109	STARTER	
29	ELE0009108	L 8 W 20 LAMP	
30	VIT0000030	SCREW TCB M4 x 7	
100	0020035115R	SHEET METAL COVER ASSEMBLY (POS. 18/A+19/A+20/A)	assieme
101	0020035122R	PLASTIC COVER ASSEMBLY (POS. 18+19+20)	assieme



Pos.	Code	Description	
1	0020035205		
2	0020035035	ONDA NESTLE PANEL	
3	0020035036	8-KEY KEYBOARD	
4	see tab. 16		
5	SER0000012	BOX 5 RAPID EXTENSION LOCK	
6	0020035041	LOCK PLATE	
7	0010020519	KJS DOOR LOCK PIN	
8	0020035046	PIN STOP PLATE	
9/a	0020027081R	RED CUP SUPPORT WITH CONNECTION	
9/b	0020027080R	BLACK CUP SUPPORT WITH CONNECTION	
10	0020035006	WATER COLLECTION TRAY	
11	0020035007	WATER COLLECTION TRAY GRATE	
12/a	0020035029NA	BLACK COIN BOX BLOCKING TAB	
12/b	0020035029KB	RED COIN BOX BLOCKING TAB 1531	
13/a	0020035031NA	BLACK COIN BOX TAB	
13/b	0020035031KB	RED COIN BOX tab 153154	
14/a	0020035033CM	COIN RETURN BUTTON RAL 9006	
14/b	0020035033KB	RED COIN RETURN BUTTON 3020	
14/c	0020035033KA	RED COIN RETURN BUTTON 3020	
15	0020035034	COIN RETURN BUTTON SPRING	
16	0020035032NA	COIN BOX SUPPORT	
17/a	0020035116	COIN BOX XS	
17/b	0020035123NA	PLASTIC COIN DRAWER	
18/a	*0020035114	COIN BOX LOCK HOOK	*
18/b	*0020035126NA	PLASTIC COIN DRAWER HOOK	**
19/a	*0020035115	COIN BOX COVER XS	*
19/b	*0020035122NA	BLACK COIN BOX COVER ASSEMBLY	**
20/a	*SER0000015	154 RAPID BOX LOCK	*
20/b	*SER0000001	BOX 5 20 mm LOCK	
21	VIT0002469	SCREW TC 3.5 x 10 FOR PLASTIC	
22	VIT0007109	BUSH	
23	0020035206		
24	0020035209	RED SHINING SUPPLEMENT	
	0020035209		
	0020035209KA		
	0020035209NA		
25	0020035207		
26/a	ELE0009127	220 V BALLAST	
26/b	ELE0009119		
27	ELE0009122		
28/a	ELE0009109	STARTER	
28/b	ELE0009118	STARTER	
29	ELE0009121		
30	ELE0009018	L 8 W 20 LAMP	
31	0020035208		
32	0020035219		
100	0020035115R	SHEET METAL COVER ASSEMBLY	assieme
101	0020035122R	PLASTIC COVER ASSEMBLY	assieme



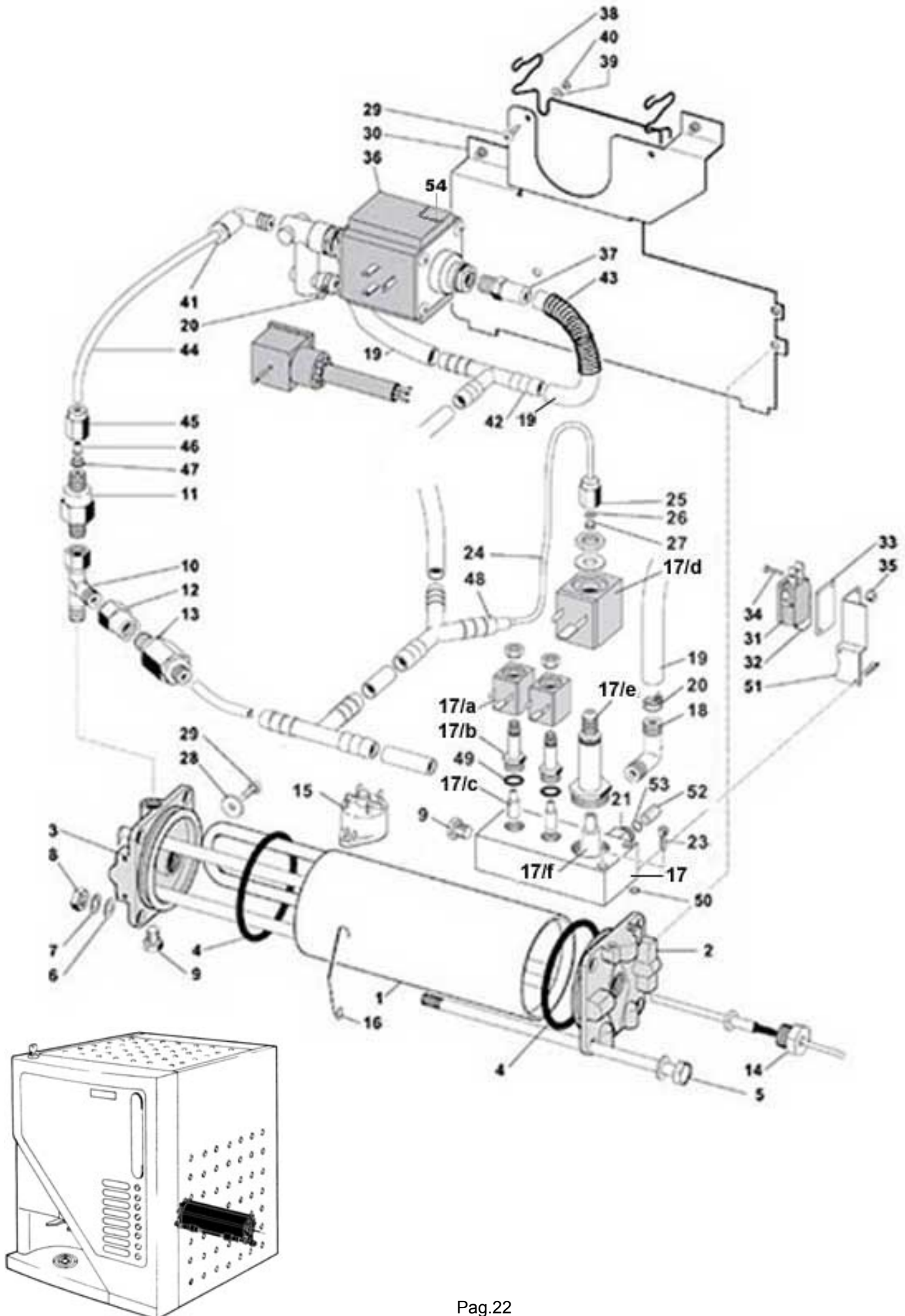
Pos.	Code	Description	
1/a	0230030005	PLASTIC INGREDIENT CONTAINER 55 mm. Up to serial 0043999	*
1/b	0230030155	PLASTIC INGREDIENT CONTAINER 55 mm. PP From serial 0044001	
2/a	0230030016	MIXER GEAR 55 mm. Up to serial 0043999	*
2/b	0230030159	MIXER GEAR From serial 0044001	
	0230030159IC		
3	0230030012	WORM SCREW PIN	
4	GUA0000083	OR 123	
5/a	0230030014	WORM SCREW P.18	
5/b	0230030013	WORM SCREW P. 9	
6	VIT0005301	ELASTIC PIN D.2 x 14	
7	0230030011	REAR BUSH	
8/a	0230030008	PLASTIC INGREDIENT CONTAINER 112 mm. Up to serial 0043999	**
8/b	0230030157	PLASTIC INGREDIENT CONTAINER 110 mm. PP From serial 0044001	
9/a	0230030015	MIXER GEAR mm.112 Up to serial 0043999	**
9/b	0230030161	MIXER GEAR mm.110 From serial 0044001	
	0230030161IC		
10/a	0230030041	INGREDIENT MIXER 112 mm. R.H. OUTLET	
10/b	0230030042	INGREDIENT MIXER 112 mm. L.H. OUTLET	
11	VIT0003210	STAINLESS STEEL FLAT WASHER D. 8.4 x 14 x 1.6	
12/a	0230030006	CONTAINER COVER 55 mm. Up to serial 0043999	*
12/b	0230030156	CONTAINER COVER 54 mm. From serial 0044001	
13/a	0230030009	CONTAINER COVER 112 mm. Up to serial 0043999	
13/b	0230030158	CONTAINER COVER 110 mm. From serial 0044001	
14/a	0230030058R	RIGHT CONVEYOR INGREDIENT	
14/b	0230030044R	RIGHT CONVEYOR INGREDIENT	
15/a	0230030057R	LEFT CONVEYOR INGREDIENT	
15/b	0230030043R	LEFT CONVEYOR INGREDIENT	
16/a	0230030059R	CONVEYOR INGREDIENT	
16/b	0230030055R	CONVEYOR INGREDIENT	
17	0230030052	ANTIBRIDGING	
100	0230030013CL	PIN WORM SCREW P. 9 ASSEMBLED	
101	0230030014CL	PIN WORM SCREW P. 18 ASSEMBLED	
102	0230030005R	INGREDIENT CONTAINER 55 mm WORM SCREW 18 WITHOUT FEEDER Up to serial 0043999	assieme
103	0230030006R	PRODUCT CONTAINER 55 mm WORM SCREW 9 WO/FEEDER Up to serial 0043999	assieme
104	0230030007R	PROD. CONT. 112 mm WORM SCREW 112 mm WORM SCREW WO/FEEDER R.H. OUTLET Up to serial 0043999	assieme
105	0230030009R	PROD. CONT. 112 mm WORM SCREW 112 mm WORM SCREW WO/FEEDER L.H. OUTLET Up to serial 0043999	assieme
106	0230030155R	INGREDIENT CONTAINER 54 mm WORM SCREW 18 WITHOUT FEEDER Up to serial 0043999	
107	0230030156R	PRODUCT CONTAINER 54 mm WORM SCREW 9 WO/FEEDER From serial 0044001	
108	0230030157R	PROD. CONT. 110 mm WORM SCREW 112 mm WORM SCREW WO/FEEDER R.H. OUTLET From serial 0044001	
109	0230030159R	PROD. CONT. 110 mm WORM SCREW 112 mm WORM SCREW WO/FEEDER L.H. OUTLET From serial 0044001	



XS - H2O TANK FOR AUTONOMOUS VERSION

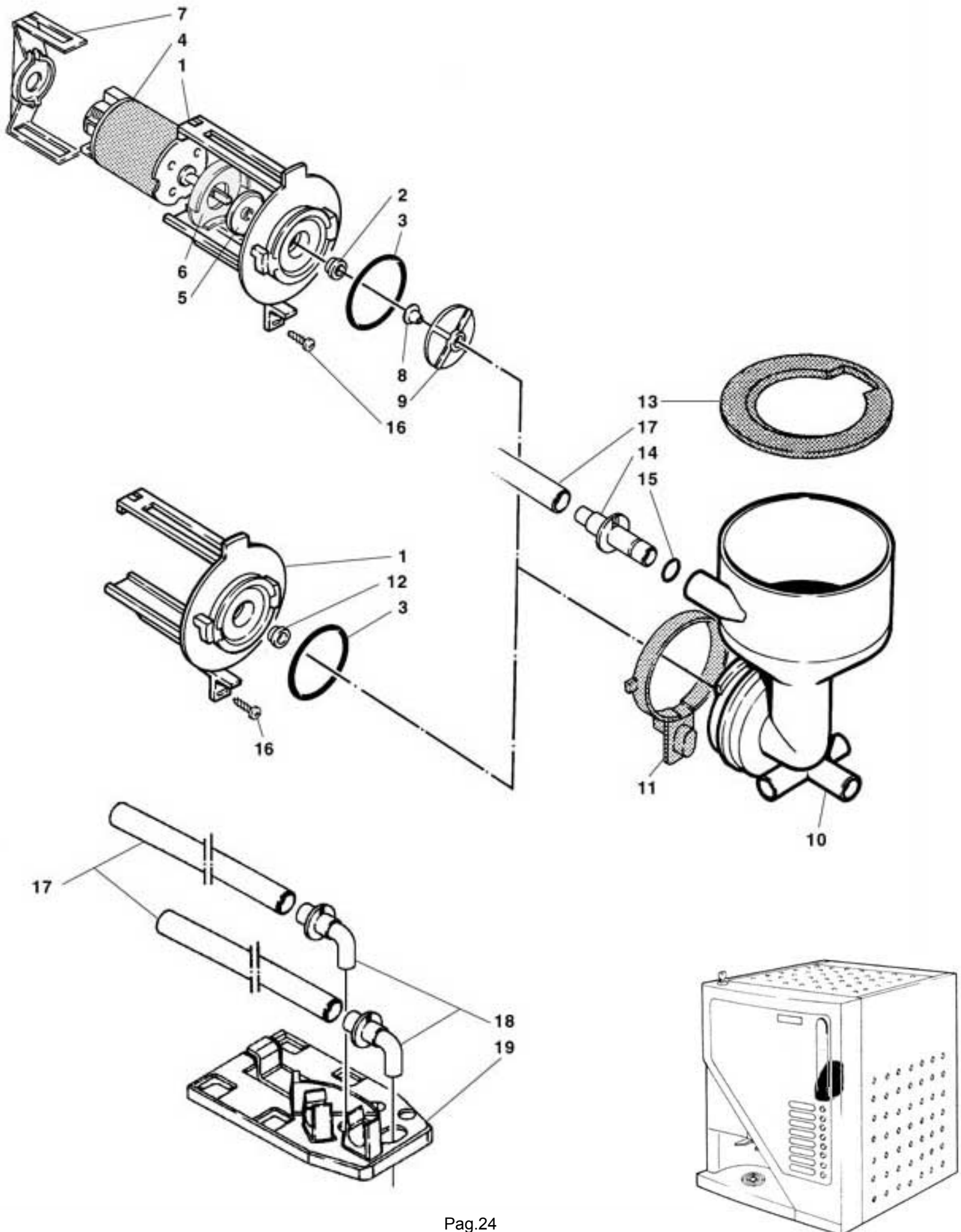
Pos.	Code	Description	
1	0800012005PF		
2	0800012009	WATER TANK CLOSING PIN	
3	0800012012	CLOSING PIN SPRING	
4	0800012008	TANK CLOSING GASKET SUPPORT	
5	GUA0000082	SILICONE GASKET D.6 CORD 3	
6	GUA0002008	SILICONE GASKET DE 062	
7	0230030009	CONTAINER COVER 112 mm.	
8	0800012015	FIXED TANK CONNECTION	
9	TSIL07/11T	TRANSPARENT SILICONE PIPE D.7 x 11	
10	0100217009	RUBBER HOLDER DIR. D.10-1/4 M	
11	0110001078	24 D.C. 2-WAY VALVE 1/4" D. 4.5	
11/a	0110010065	8W 24 D.C. COIL	
11/b	0110010101	SLEEVE FOR 2-WAY VALVE D. 4.5	
11/c	0110010102	CORE WITH SPRING FOR 2-WAY VALVE D. 4.5	
12	VIT0000205	SCREW TE M4x10	
13	VIT0003301	WASHER D.12 x 4.3 x 1.5	
14	0010020063	PIPE SPRING	
100	0800012010R	AUTONOMOUS WATER TANK (FROM POS.1 TO POS.7)	assieme

Pos.	Code	Description	
1	0600016008	BOILER TANK	
2	TSIL10/14T	TRANSPARENT SILICONE PIPE D.10 x 14	
3	650001057	BOILER DISCHARGE PLUG	
4	0600016049	BOILER COVER PLUG	
5/a	0600016067	1300W 230 V HEATING ELEMENT Up to serial 02019999	
5/b	0600016078	1600 W 230 V HEATING ELEMENT WITH THERMOFUSE From serial 02020001	
5/c	0600016068	1100 W 120 V HEATING ELEMENT WITH THERMOFUSE	
6	0600016038	HEATING ELEMENT GASKET	
7	VIT0003203	STAINLESS STEEL FLAT WASHER D.5.3 x 10 x 1	
8	VIT0004804	STAINLESS STEEL NUT M5	
9	ELE0003026CL	121° FUSE ASSEMBLED	
10	0600016071	TRIPLE FITTING	
11	0600016072	TRIPLE FITTING BOTTOM	
12	GUA0002008	SILICONE GASKET DE 062	
14	ELE0000965	MANUAL RESET THERMOSTAT 88°C	
15	VIT0004816	STAINLESS STEEL NUT M4	
16	0600016059	PROBE SUPPORT	
17	VIT0001005	SCREW T.C.B. M 4 x 12	
18	0600016053	MIN. WATER LEVEL PROBE	
19	0600016054	MAX WATER LEVEL PROBE	
20	ELE0000963R	PRIMA SOLUBLE PROBE	
21	0090003031	MOTOR PUMP 24 V	
22	VIT0001009	STAINLESS STEEL SCREW T.C.B. M 4 x 16	
23	VIT0003454	STAINLESS STEEL EXTERNAL tab D.4	
24	0080001005	STAINLESS STEEL FLAT BUSH	
25	GUA0001006	MIXER SHAFT GASKET	
26	VIT0003211	STAINLESS STEEL FLAT WASHER D.4,3 x 9 x 0,8	
27	0110030026	PUMP WHEEL	
28	0110030025	PUMP BODY	
30	0600016045	UPPER PUMP COVER WITH PIPE	
31	0600016048	LOWER PUMP COVER	
32	VIT0005527	SCREW T.C.E.I. M 4x40 INOX	
33	VIT0002461	SCREW TCCRT 4,2 x 26	
34	0600016023	COFFEE CONNECTION	
35	TSIL06/09T	TRANSPARENT SILICONE PIPE D.6 x 9	
36	0010020032	BOILER SECURING PLATE	
37	VIT0002009	TAPPING SCREW T.C.B. 3,5 x 6,5	
38	0600016028	BOILER T	
39	TSIL07/11T	TRANSPARENT SILICONE PIPE D.7 x 11	
40	0600016030	Overflow fitting	
41	TSIL05/08T	TRANSPARENT SILICONE PIPE D.5 x 8	
42	0600016002	CLOSURE COVER CLIP	
100	0600016171CLR	BOILER ASSEMBLY (from pos. 1 to 33 and from pos.38 to pos.42) 230V	assieme
101	0600016181CL	BOILER ASSEMBLY (from pos. 1 to 33 + 42) 120V	assieme
102	0600016073KIT	COVER BOILER KIT	

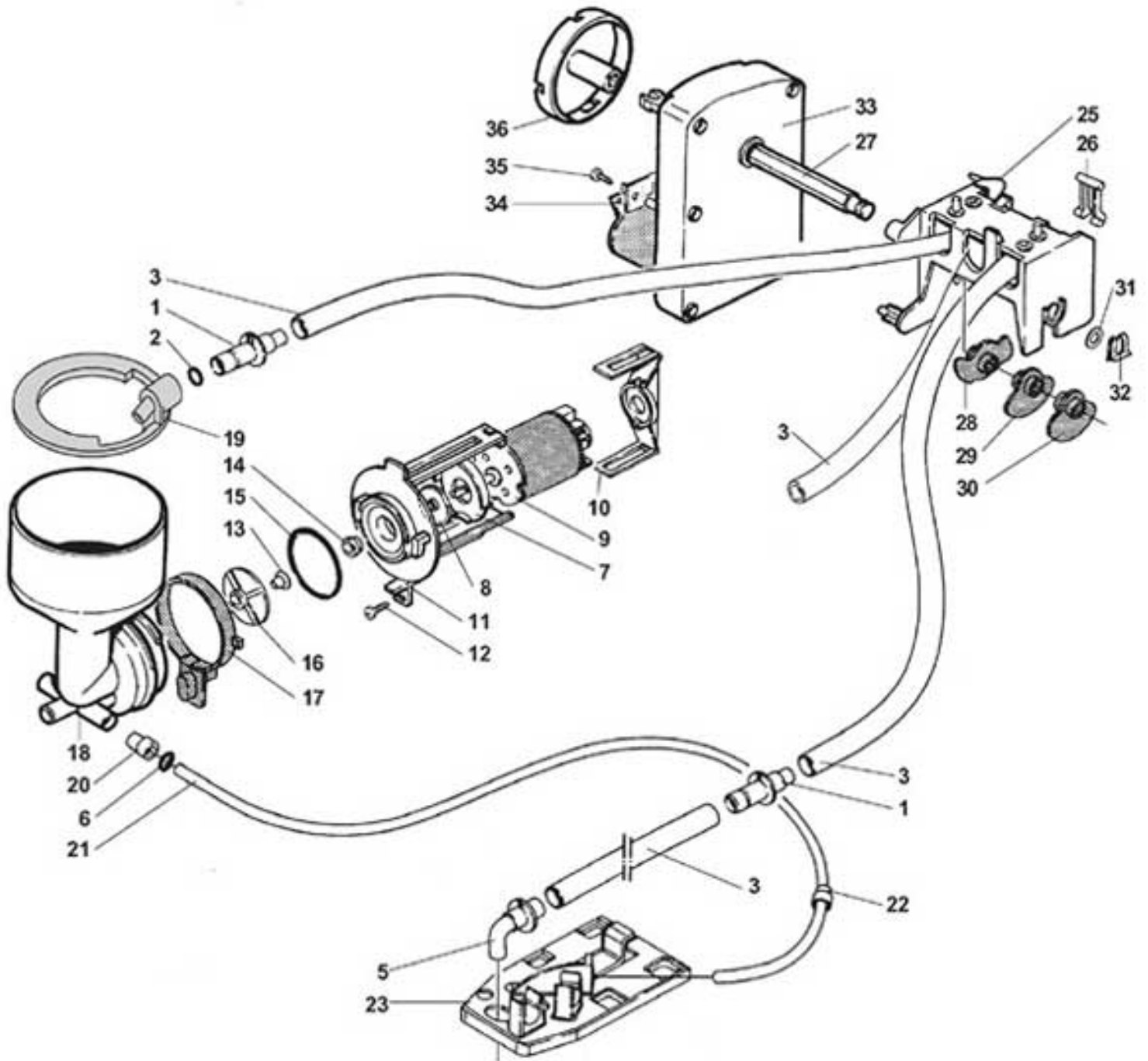


Pos.	Code	Description
1	0600012514	JACKET MM 150
2	0600012671	FLANGE FOR VALVE
3	0600012701	FLANGE WITH HEATING ELEMENT
4	GUA0000047	164 VITON OR
5	0600012515	TIE-BOLT MM 177
6	VIT0003206	D. 8.4x16x1.6 WASHER
7	VIT0003402	D. 8.4 GROWER SPRING WASHER
8	VIT0004506	M 8 NUT
9	4600020115	PLUG
10	0100001028	MALE T UNION 1/8-6-6
11	0110002008	1/8F - 1/8M INLET NON-RETURN VALVE
12		
13	0110002009	SAFETY VALVE
14	ELE0000969R	PROBE
15	ELE0009001	120° CLICSON
16	250020087	SAFETY SWITCH SECURING SPRING
17	0110001087	2 2-WAY VALVE + 1 3-WAY VALVE
17/a	0110010145	6W 24 D.C. COIL 70%
17/b	0110010123	2-WAY SLEEVE CH 14
17/c	0110010124	2-WAY MOBILE CORE ASSEMBLY
17/d	0110010065	8W 24 D.C. COIL
17/e	0110010035	3-WAY VALVE SLEEVE
17/f	0110010020	CORE WITH SPRING FOR 3-WAY VALVE
18	250020146	ELBOW CONNECTION
19	TSIL06/09T	TRANSPARENT SILICONE PIPE D.6 x 9
20	FASC000101	PIPES CLIP
21	0110003056	OULET CONNECTION H20 3-WAY VALVE
22		
23	VIT0005510	4x16 TCEI SCREW
24	TTEF02/04T	D.2x4 PIPE
25	0100001001	NUT FOR 4-1/8 PIPE FITTING
26	0100002001	D.4 LOCKING RING
27	0100003002	COPPER GASKET
28	1600001098	SYNTHETIC RUBBER D.4.5 SPACER
29	VIT0000030	SCREW TCB M4 x 7
30	0010020411	BOILER SUPPORT
31	ELE0001522	1-WAY 16 A 250 V MICROSWITCH
32	0010020412	BENT MICRO LEVER
33	4600010014	MICRO SPACER
34	VIT0000006	M 3x16 TCB SCREW
35	VIT0004701	M3 FR NUT
36/a	0110004002R	ELECTROMAGNETIC PUMP 12 bar FOR COFFEE BEANS GROUP D. 36
36/b	0110004021	230V 50 HZ PUMP FOR XS CABINET FOR COFFEE BEANS GROUP D. 40
36/c	0110004024	120V 60 HZ PUMP FOR XS CABINET FOR COFFEE BEANS GROUP D. 40
37	2500001139	VALVE RUBBER-HOLDER CONNECTION FOR COFFEE BEANS GROUP D. 40
38/a	0110004020	PUMP SUPPORT FOR COFFEE BEANS GROUP D. 36
38/b	0110004038	ELECTROMAGNET PUMP SUPPORT FOR COFFEE BEANS GROUP D. 40
39	VIT0003301	WASHER D.12 x 4.3 x 1.5 FOR COFFEE BEANS GROUP D. 40
40	VIT0004503	NUT M 4 FOR COFFEE BEANS GROUP D. 40
41	0100001056	TURNING ELBOW 6-1/4 VITON OR FOR COFFEE BEANS GROUP D. 40
42	0100003003	TEE UNION FOR COFFEE BEANS GROUP D. 40
43	0600016055	SPRING FOR KIT NO RETURN CHOCOLATE FOR COFFEE BEANS GROUP D. 40
44	TNAY000001	D.6*4 POLYAMIDE PIPE FOR COFFEE BEANS GROUP D. 40
45	0100001002	NUT FOR PIPE FITTING D.6 FOR COFFEE BEANS GROUP D. 40
46	0100002005	STRENGTHENING BUSH D.4 FOR COFFEE BEANS GROUP D. 40
47	0100002002	LOCKING RING D.6 FOR COFFEE BEANS GROUP D. 40
48	0100001065	'Y' FITTING FOR COFFEE BEANS GROUP D. 40
49	0110010111	OR R 990597/N FOR COFFEE BEANS GROUP D. 40
50	0110010112	OR R 990002/S FOR COFFEE BEANS GROUP D. 40
51	0110003059	MICRO SUPPORT FOR COFFEE BEANS GROUP D. 40
52	0110003057	OR SPACER FOR COFFEE BEANS GROUP D. 40
53	GUA0000069	2015 OR FOR COFFEE BEANS GROUP D. 40
54	ELE0000915	THERMIC PROTECTION FOR COFFEE BEANS GROUP D. 40
100	0600012710R	mm 150 BOILER (FROM POS.1 TO POS.14)

assieme

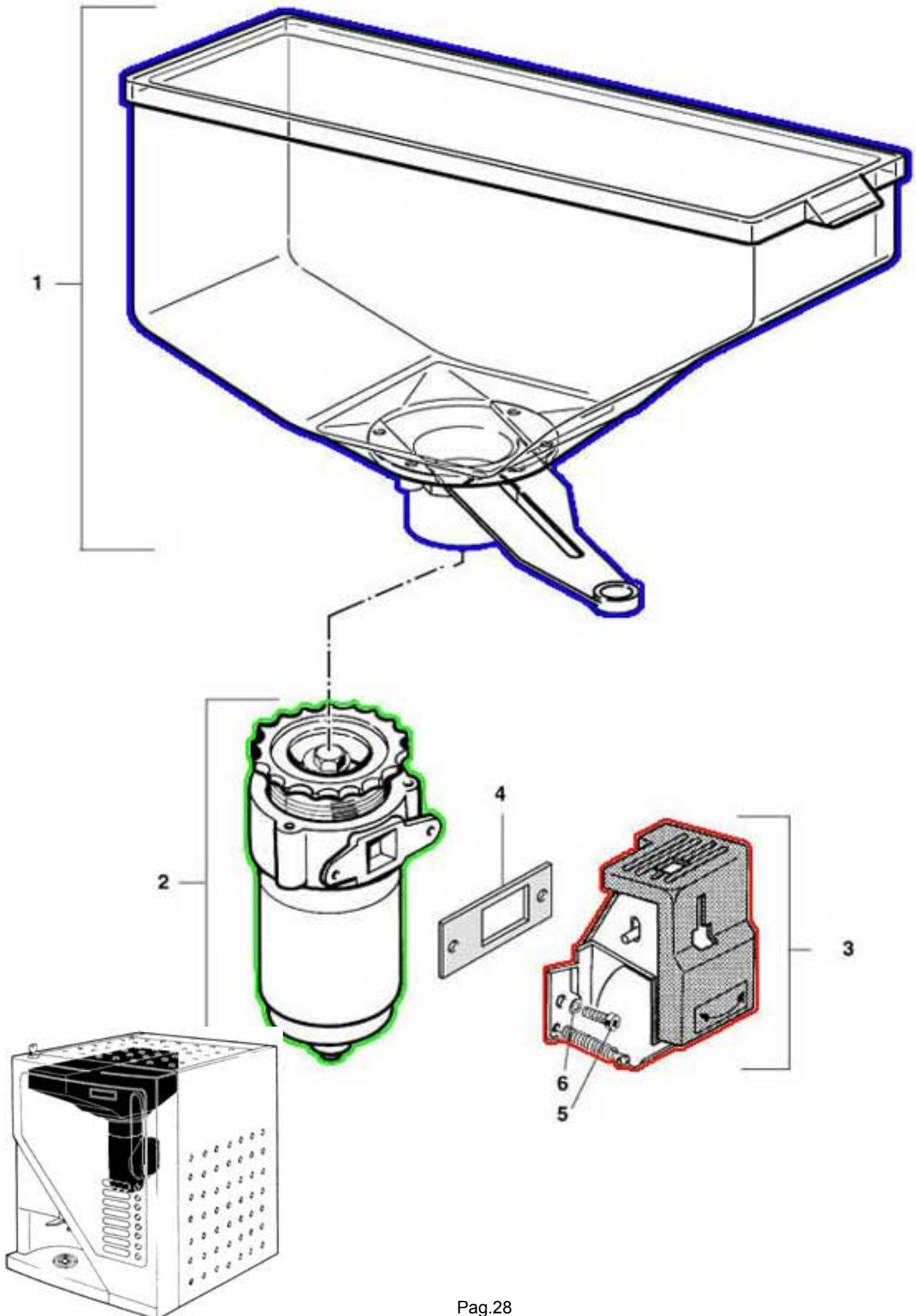


Pos.	Code	Description
1	0080100005	MIXER BASE
2	0080100015	MIXER BASE BUSH
3	GUA0000084	OR 3131
4	0090003023	24 V DC MIXER MOTOR SHAFT D.4
5	0080100024	DRIP TRAP FAN
6	0080100023	MIXER COVER
	0080100023IC	
7	0080100009	MOTOR HOUSING CONNECTION
	0080100009IC	
8	0080100014	MIXER SHAFT GASKET D.4
9	0080100011	SMALL FAN MIXER SHAFT D.4
	0080100011PL	
10	0080100007	MIXER BODY WITH INLET
11	0080100006	STOPPER RING
	0080100006IC	
12	0080100018	MIXER BASE PLUG
13	0080100008	MIXER TRAP WITHOUT INLET
14	0080100013	MIXER CONNECTION
15	GUA0000085	SILICONE OR 106
16	VIT0002401	TAPPING SCREW TCB 3.5 x 9.5
17	TSIL06/09T	TRANSPARENT SILICONE PIPE D.6 x 9
18	0010020052	INGREDIENT PIPE
19	0010020409	PIPES SUPPORT



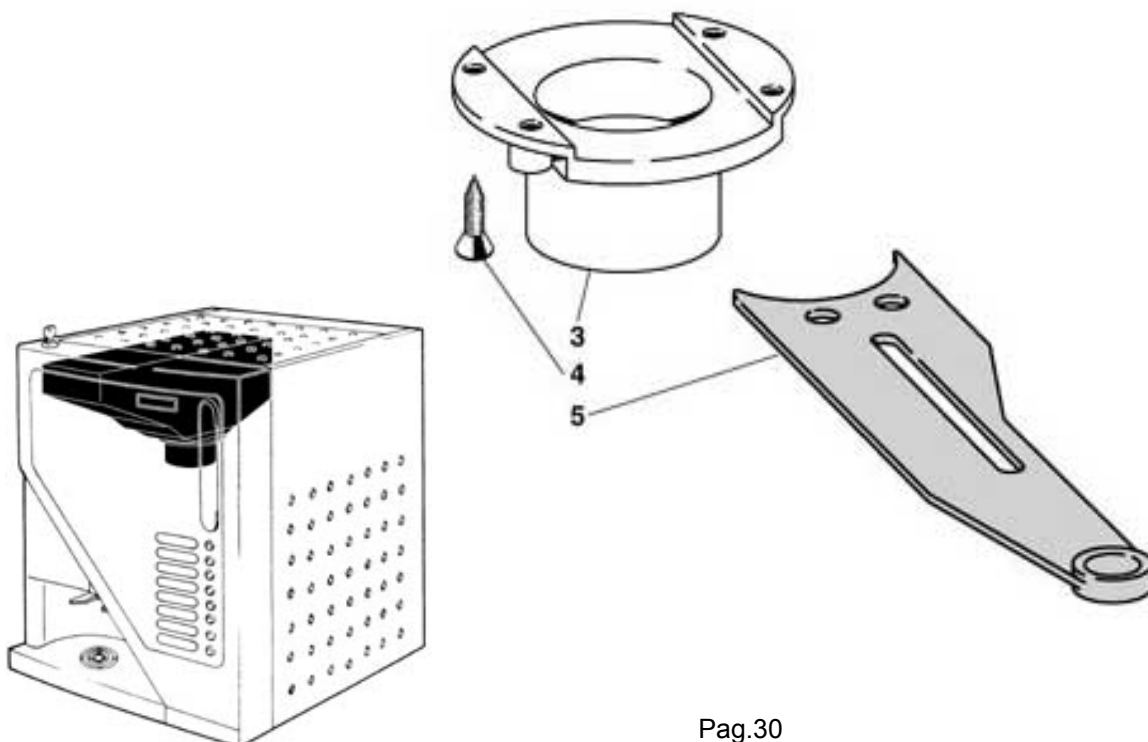
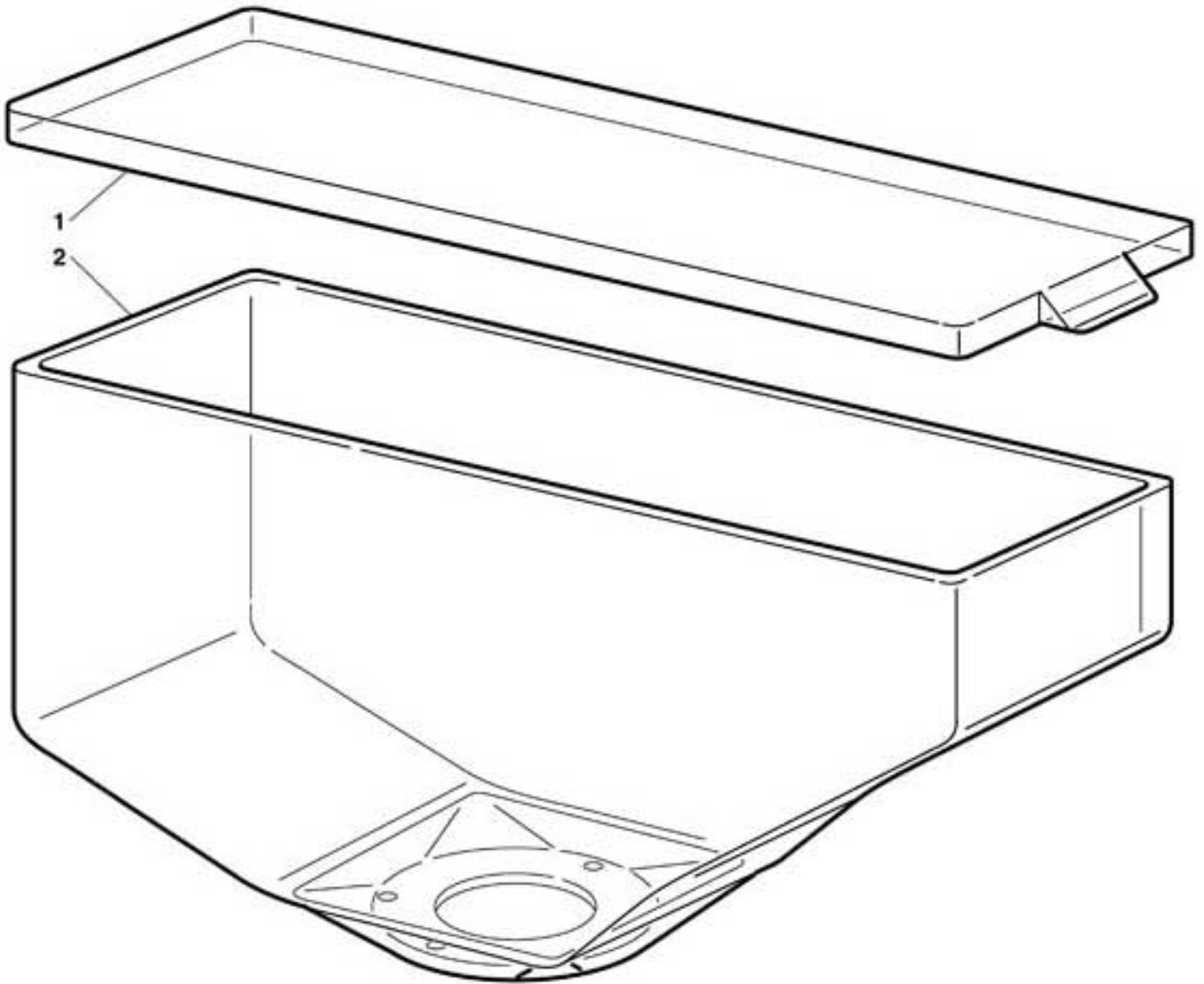
XS - CAMS MIXER AND DISPENSER

Pos.	Code	Description	
1/a	0080100013	MIXER CONNECTION Up to serial Fino a 0201999)	
1/b	0080100043	SHORT MIXER INSERT From serial (Da 02020001)	
2	GUA0000085	SILICONE OR 106	
3	TSIL06/09TC	TRANSPARENT SILICONE PIPE	
4			
5/a	0010020052	INGREDIENT PIPE	
5/b	0010020058	COFFEE OUTLET PIPE	
6	GUA0000087	SILICONE 2025 OR	
7	0080100023	MIXER COVER	
	0080100023IC		
8	0080100024	DRIP TRAP FAN	
9	0090003023	24 V DC MIXER MOTOR SHAFT D.4	
10	0080100009	MOTOR HOUSING CONNECTION	
	0080100009IC		
11	0080100005	MIXER BASE	
12	VIT0002401	TAPPING SCREW TCB 3.5 x 9.5	
13	0080100014	MIXER SHAFT GASKET D.4	
14	0080100015	MIXER BASE BUSH	
15	GUA0000084	OR 3131	
16	0080100011	SMALL FAN MIXER SHAFT D.4	
	0080100011PL		
17	0080100006	STOPPER RING	
	0080100006IC		
18/a	0080100007	MIXER BODY WITH INLET Up to serial (Fino a 0201999)	
18/b	0080100041	MIXER BODY NO INLET From serial (Da 0202001)	
	0080100041PL		
19/a	0080100008	MIXER TRAP WITHOUT INLET Up to serial (Fino a 0201999)	
19/b	0080100042	MIXER TRAP WITH INLET From serial (Da 0202001)	
	0080100042PL		
20/a	0080100016	INSTANT COFFEE REDUCTION D.2,5	
20/b	0080100019	COFFEE OUTLET REDUCTION D.4	
21	TPAD04/06T	D.6x4 PIPE FOR FOODSTUFFS	
22	0100002015	SMOOTH LOCKING RING D.6	
23/a	0010020051	SUPPORT FOR PRODUCT PIPE	
23/b	0010020057	INOX SUPPORT FOR PRODUCT PIPE + H2O	
24			
25	0110030005	CAM SUPPORT	
26	0110030013	CLOSING LEVER	
27	0110030006	SHAFT FOR CAMS	
28	0110030008	CAM 2	
29	0110030009	CAM 3	
30	0110030007	CAM 1	
31	VIT0003010	WASHER D.8 x 14 x 0,5	
32	VIT0009162	STOP CLIP D.8	
33	0090002109	24V D.C. GEAR MOTOR 24 R.P.M.	
34	SCH0003700	CAM PIPE SENSOR	
35	VIT0002469	SCREW TC 3.5 x 10 FOR PLASTIC	
36	0110030015	POSITION DISK	
100	0110030001R	XS-H CAM DISPENSER (from pos. 25 to pos. 36)	assieme
101	0080100001R	MIXER BASE+MOTOR ASSEMBLY	assieme
102	0080100005R	MIXER MOTOR ADAPTATION KIT (pos. 7+8+11+13+14+15+16)	assieme
103	0080100007R	MIXER BODY + RING STOPPER	
104	0010020056R	OUTLET PIPE FOR COFFEE ASSEMBLY	
105	0010020058KIT	OUT LONG COFFEE KIT	assieme



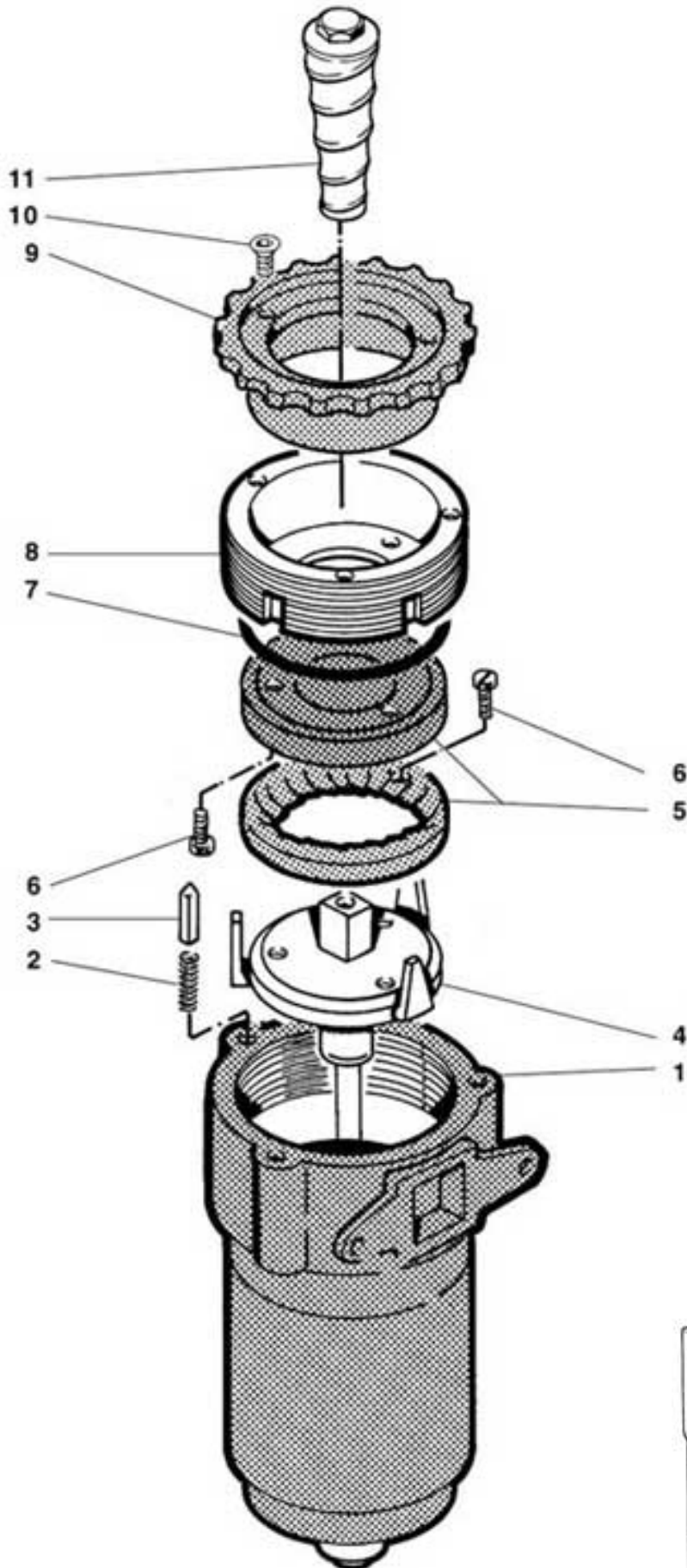
XS - CONTAINER BATCHER GRINDER GROUP

Pos.	Code	Description
1		See table COFFEE BEANS CONTAINER GROUP
2		see tab. 10
3		See table PL BATCHER GROUP WITH SETTING
4	0320004141	MILL-BATCHER PLATE
5	VIT0000013	M 4x12 TCB SCREW
6	VIT0003103	WASHER tab D. 4.3

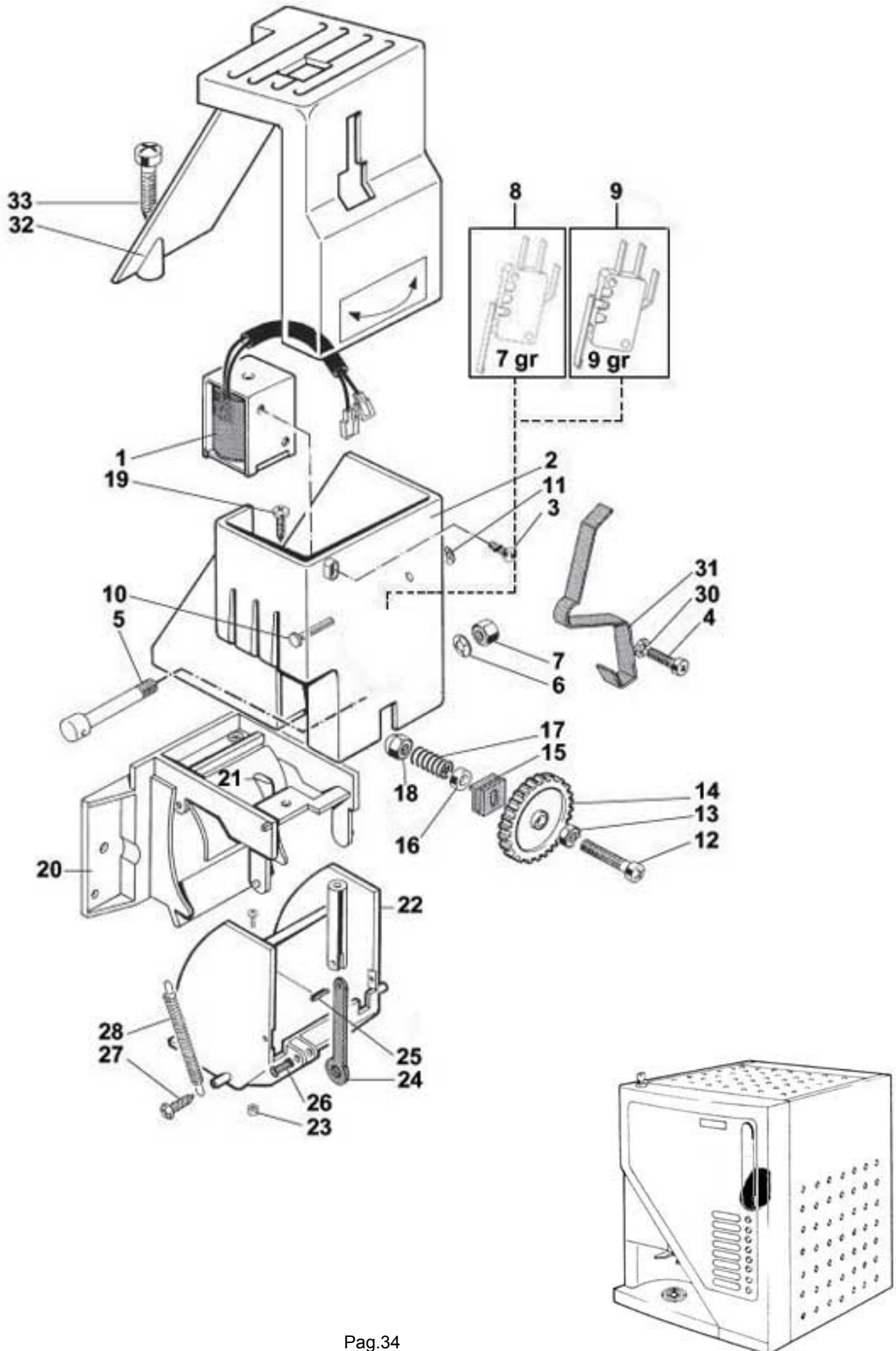


XS - COFFEE BEANS CONTAINER GROUP

Pos.	Code	Description	
1	0230015159	COFFEE CONTAINER COVER	
2	0230015158	COFFEE CONTAINER	
3	0230015066	COFFEE CONTAINER BOTTOM	
	0230015066NA		
4	VIT0002104	2.9x 13 STAINLESS STEEL TAPPING TCB SCREW	
5	0230015207	RED COFFEE CONTAINER BLADE	
	0230015207IC		
100	0230015158R	COFFEE CONTAINER ASSEMBLED	assieme



Pos.	Code	Description	
1	0090002099	MOTOR WITH GRINDER	
2	270001023	DOOR SWITCH SPRING	
3	0320002011	COMPENSATING PIN	
4	0320004107	LOWR GRINDER SUPPORT	
5	0090003033	D.54 TYPE 4 GRINDER COUPLE	
6	VIT0000024	M 4x8 TCB SCREW	
7	GUA0000060	3225 OR	
8	0320004109	UPPER GRINDER SUPPORT	
9	0320004112GD	GRINDER SUPPORT RING NUT	
10	VIT0000102	M 3x10 TSP SCREW	
11	0320004116	LOWER GRINDER SUPPORT WORM SCREW	
100	0320004150CL	E MILL ASSEMBLY	assieme

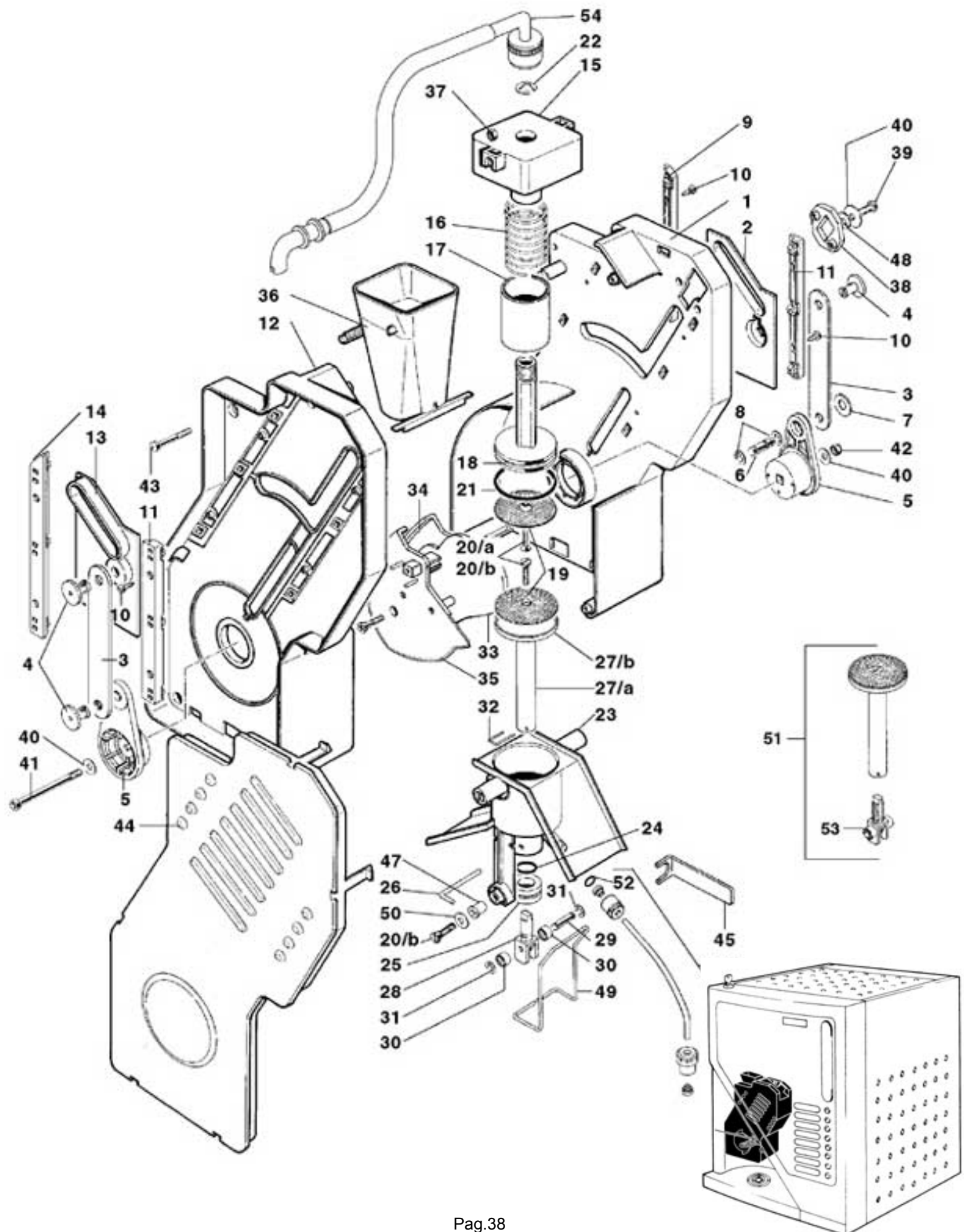


XS - PL BATCHER GROUP WITH SETTING

Pos.	Code	Description	
1	ELE0000056	24V DC ELECTROMAGNET W/CABLES	
2	0350003136	ELECTROMAGNET SUPPORT	
	0350003136NA		
3	VIT0000028	M 3x14 TCB SCREW	
4	VIT0000005	M 3x12 TCB SCREW	
5	0350003114	SETTING PIN	
6	VIT0009161	D.3.2 x 8 x 0.4 SPRING	
7	VIT0004814	M.3 SELFLOCKING NUT	
8	0350003112R	MICRO WITH FRONT POSITION LEVER 7 GR	
9	0350003312R	MICRO WITH CENTRAL POSITION LEVER 9 GR	
10	0350003112	ROTATION PIN	
11	VIT0007101	D.3 BENZING-QUICKLOCK	
12	VIT0000009	M 3x30 TCB SCREW	
13	VIT0004502	M3 NUT	
14	0350003113	WEIGHT SETTING WHEEL	
	0350003113NA		
15	0350003122	CONNECTION TO BE TIGHTENED	
16	7500102053	MICRO SPACER	
17	0350003115	SETTING SPRING	
18	VIT0004813	M.3 CAP NUT	
19	VIT0002011	2.9x 9.5 TAPPING TCB SCREW	
20	0350003105	BATCHER BODY	
	0350003105NA		
21/a	0350003106	BLADE Up to serial 04539999	
21/b	0350003314	BLADE From serial 05010001	
	0350003314NA		
22	0350003301	COFFEE FEEDER	
	0350003301NA		
23	0350003302	SHAKER	
24	0350003126	ELECTROMAGNET CONNECTING ROD	
	0350003126NA		
25	VIT0005217	2 x 8 STAINLESS STEEL ELASTIC PIN	
26	0350003111	PIN	
	0350003111NA		
27	VIT0002001	2.9x 6.5 TAPPING TCB SCREW	
28	0350003129	RETURN SPRING	
29			
30	VIT0003102	WASHER tab D. 3.2	
31	0350003124	BATCHER LOCK	
32	0350003128	COVER	
33	VIT0002469	SCREW TC 3.5 x 10 FOR PLASTIC	
100	0350003110CL	24 V DC COFFEE PLASTIC BATCHER W/SETTING	assieme
101	0350003310CL	24 V DC COFFEE PLASTIC BATCHER 9gr	

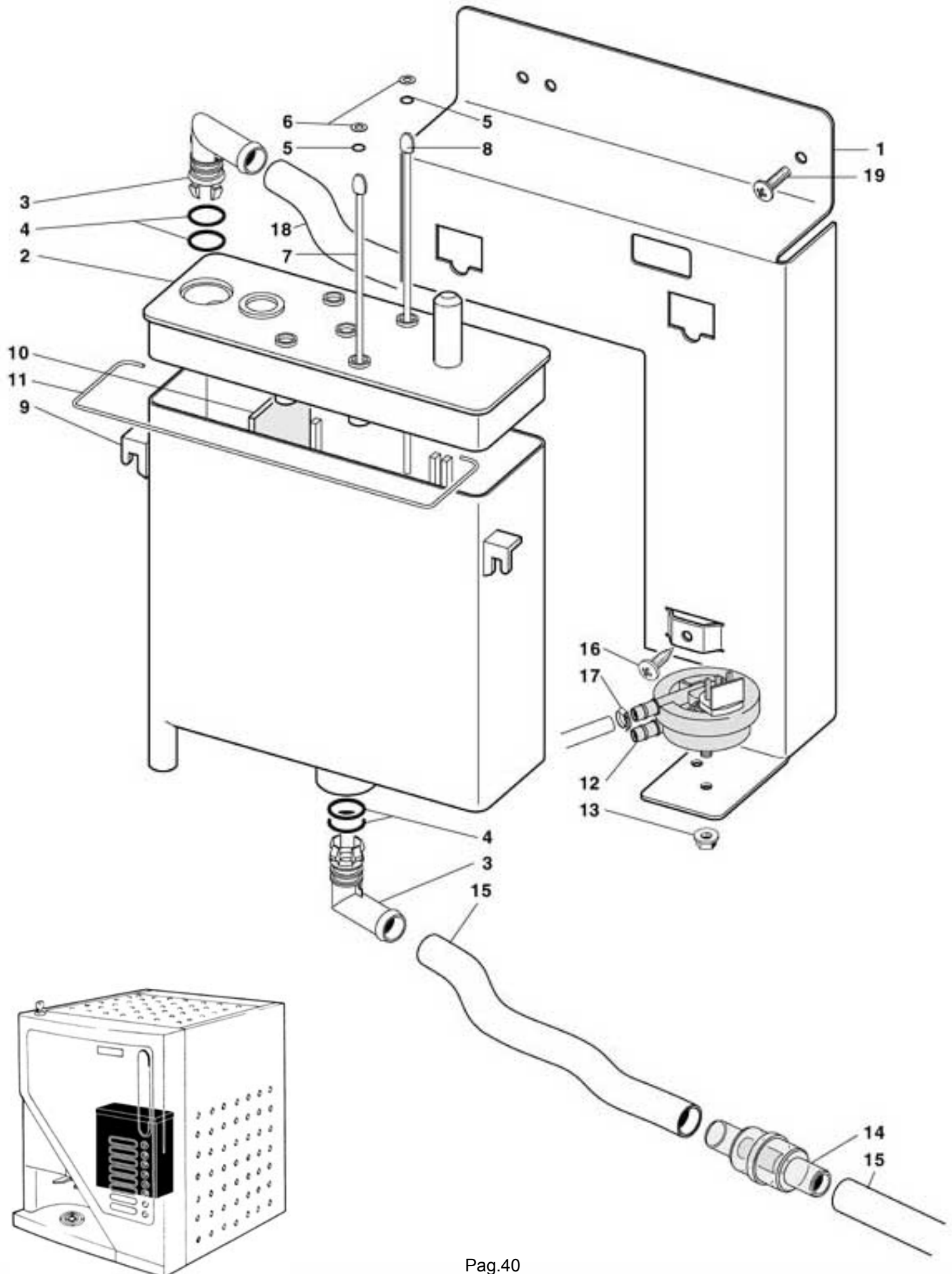
XS - MICRO COFFEE GROUP MOTOR SUPPORT

Pos.	Code	Description
1	0260010102	MICRO GROUP MOTOR SUPPORT
2	0090002182	MICRO GROUP MOTOR
3	VIT0000030	SCREW TCB M4 x 7
4	0250008093	MICRO PLATE
5	4600010014	MICRO SPACER
6	ELE0001528	MICRO 83.161.832
7	ELE0001904	MICRO LEVER
8	VIT0000006	M 3x16 TCB SCREW
9	VIT0004701	M3 FR NUT
10	0250008091	MICRO SPACER
11	0250008092	M4 SPECIAL SCREW
12	VIT0005521	4x25 TCEI SCREW
13	0250008043	GROUP READER DISK
14	0250008012	MOTOR CRANK
15	0250008034	HOOKING LEVER
16	0250008059	SPRING FOR HOOKING LEVER
17	VIT0005205	4 x 40 CYLINDRICAL PIN
18	VIT0005508	4x12 TCEI SCREW
19	VIT0003103	WASHER tab D. 4.3
20	VIT0003003	WASHER D.8 x 4.3 x 0.8
21	0080100084	90° CONNECTION
22	TSIL07/11T	TRANSPARENT SILICONE PIPE D.7 x 11

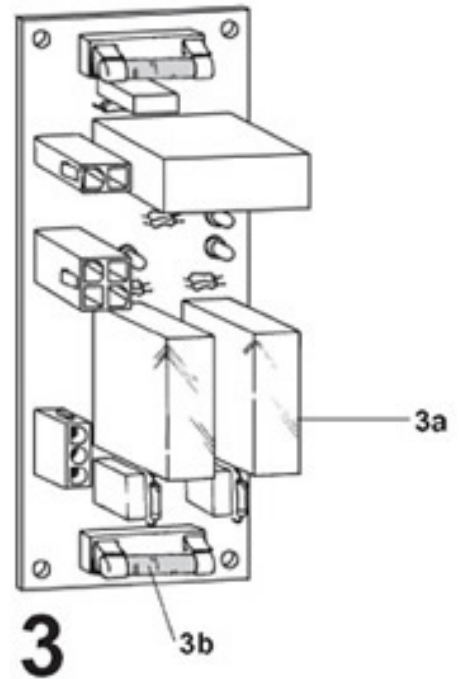
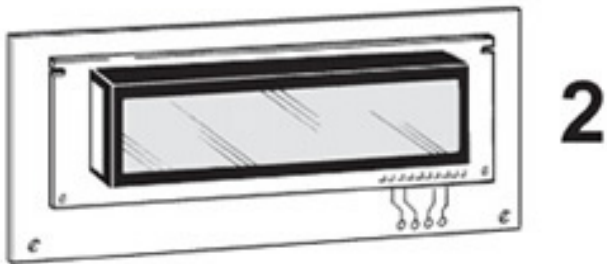
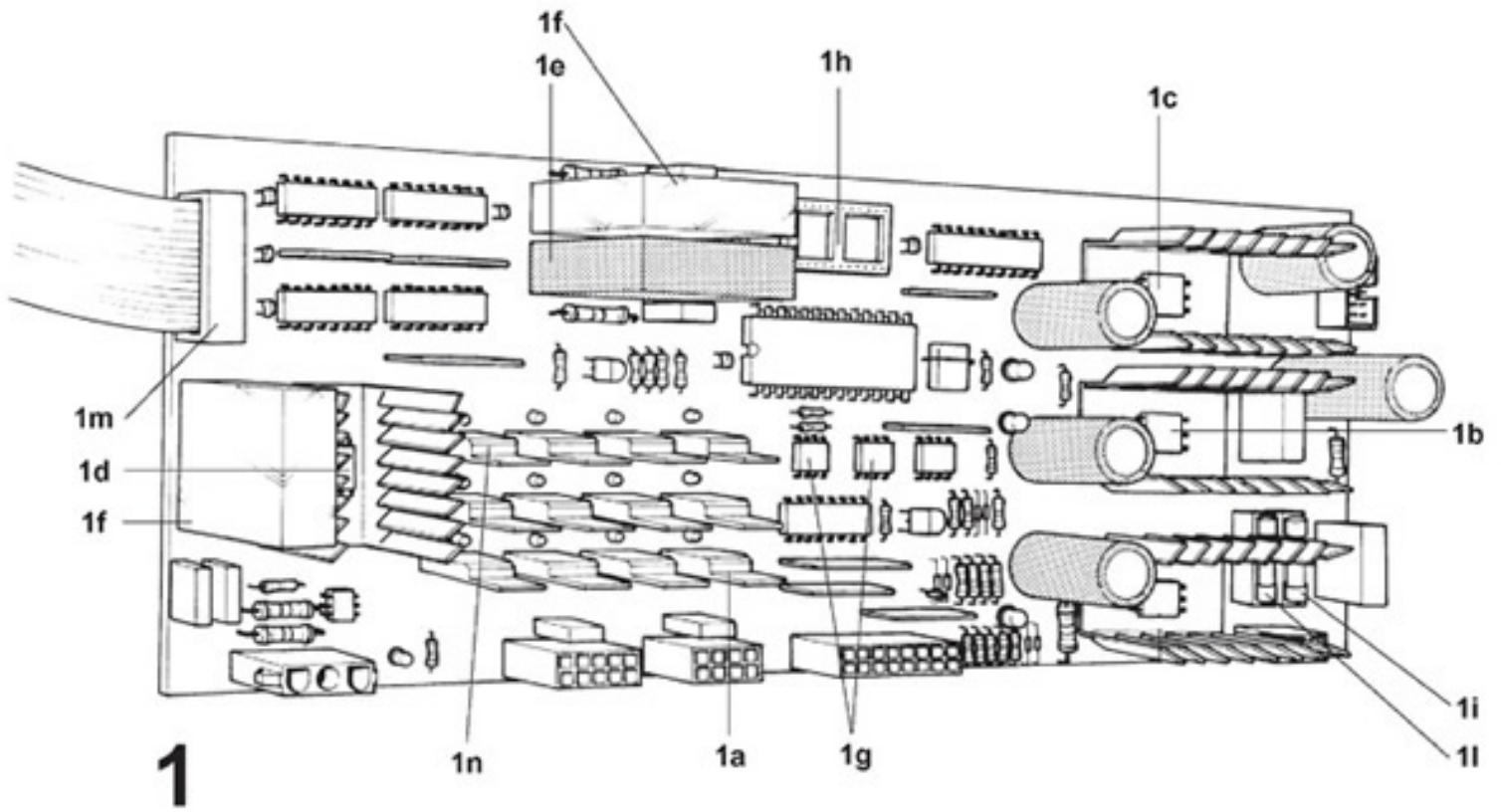


Pos.	Code	Description
1	0250008005	R.H. FRAME
2	0250008084	R.H. INFUSION CHAMBER CAM
3	0250008009	CONNECTING ROD
4	0250008028	PIN FOR CONNECTING ROD
5	0250008011	R.H. CRANK
6	0250008014	MOTOR CRANK PIN
7	0250008042	ANTIVIBRATION WASHER
8	VIT0006515	D.5 RADIAL STOP RING
9	0250008031	R.H. REAR GUIDE
10	VIT0002026	3.5x 6.5 STAINLESS STEEL TAPPING TCB SCREW
11	0250008033	FRONT GUIDE
12	0250008006	L.H. FRAME
13	0250008085	L.H. INFUSION CHAMBER CAM
14	0250008032	L.H. REAR GUIDE
15	0250008086	UPPER FILTER SUPPORT
16	0250008024	UPPER FILTER SPRING
17	0250008087	SPRING COVER PIPE
18/a	0250008026	D.36 UPPER FILTER FOR COFFEE BEANS GROUP D. 36
18/b	0250008208	D.40 UPPER FILTER FOR COFFEE BEANS GROUP D. 40
	0250008208IC	
19/a	0250008099	FILTER FOR COFFEE BEANS GROUP D. 36
19/b	0250008211	FILTER D.40 FOR COFFEE BEANS GROUP D. 40
20/a	VIT0001202	M 3x14 TSP SCREW FOR COFFEE BEANS GROUP D. 40
20/b	VIT0000121	M 3x8 TSP SCREW FOR COFFEE BEANS GROUP D. 40
21/a	GUA0000080	SILICONE 4112 OR FOR COFFEE BEANS GROUP D. 36
21/b	GUA0000097	SILICONE 4131 OR FOR COFFEE BEANS GROUP D. 40
22	VIT0006513	D.8 STAINLESS STEEL INSIDE SEEGER FOR COFFEE BEANS GROUP D. 40
23/a	0250008046	INFUSION CHAMBER FOR COFFEE BEANS GROUP D. 36
23/b	0250008206R	INFUSION CHAMBER D.40 FOR COFFEE BEANS GROUP D. 40
	0250008206RIC	
24	GUA0000065	SILICONE OR 112 FOR COFFEE BEANS GROUP D. 40
25	0250008053	LOWER INLET CUP BUSH FOR COFFEE BEANS GROUP D. 40
26	0250008029	GLASS BUSH PIN FOR COFFEE BEANS GROUP D. 40
27/a	0250008108	FILTER SUPPORT SHFT FOR COFFEE BEANS GROUP D. 40
27/b	0250008122	LOWER FILTER FOR COFFEE BEANS GROUP D. 36
27/c	0250008209	LOWER FILTER D.40 FOR COFFEE BEANS GROUP D. 40
	0250008209IC	
	0250008209IC	
28	0250008106	LOWER FILTER ROLL SUPPORT FOR COFFEE BEANS GROUP D. 40
29	0250008021	ROLL SHAFT FOR COFFEE BEANS GROUP D. 40
30	0250008022	ROLL SHAFT FOR COFFEE BEANS GROUP D. 40
31	VIT0006516	D.3.2 RADIAL STOP RING FOR COFFEE BEANS GROUP D. 40
32	0250008027	LOWER FILTER PIN FOR COFFEE BEANS GROUP D. 40
33	0250008083	FILTER EJECTION CAM FOR COFFEE BEANS GROUP D. 40
34	0250008016	R.H. FILTER RECOVERY CAM FOR COFFEE BEANS GROUP D. 40
35	0250008017	L.H. FILTER RECOVERY CAM FOR COFFEE BEANS GROUP D. 40
36	0250008036	COFFEE CONE FOR COFFEE BEANS GROUP D. 40
37	VIT0004803	STAINLESS STEEL NUT M4 FOR COFFEE BEANS GROUP D. 40
38	0250008035	SETTING PLATE FOR COFFEE BEANS GROUP D. 40
39	VIT0000032	M 4x8 INOX TCB SCREW FOR COFFEE BEANS GROUP D. 40
40	VIT0003309	4.3x16x1.5 STAINLESS STEEL FLAT WASHER FOR COFFEE BEANS GROUP D. 40
41	VIT0005523	4x60 STAINLESS STEEL TCEI SCREW FOR COFFEE BEANS GROUP D. 40
42	VIT0004810	M 4 SELFLOCKING NUT FOR COFFEE BEANS GROUP D. 40
43	VIT0002461	SCREW TCCRT 4,2 x 26 FOR COFFEE BEANS GROUP D. 40
44	0250008039	L.H. FRAME COVER FOR COFFEE BEANS GROUP D. 40
	0250008039CM	
	0250008039IC	
45	0250008048	KEY FOR NUT FOR COFFEE BEANS GROUP D. 40
46	0250008110CL	WATER INLET PIPER ASSEMBLY FOR COFFEE BEANS GROUP D. 40
47	VIT0009203	M 3 CONNECTION FOR THERMOPLASTIC FOR COFFEE BEANS GROUP D. 40
48	VIT0003451	GROWER SPRING WASHER FOR COFFEE BEANS GROUP D. 40
49	0250008094	SCRAPER FOR COFFEE BEANS GROUP D. 40
50	0250008088	WASHER FOR CHAMBER CAM FOR COFFEE BEANS GROUP D. 40
51	0250008109R	D.36 LOWER FILTER+ROLL SUPPORT ASSEMBLY FOR COFFEE BEANS GROUP D. 40
52	GUA0000061	2010 VITON OR FOR COFFEE BEANS GROUP D. 40
53	0250008107R	LOWER FILTER ROLL SUPPORT FOR COFFEE BEANS GROUP D. 40
54	0250008070CL	COFFEE OUTLET PIPE ASSEMBLY FOR COFFEE BEANS GROUP D. 40
100	0250008001R	MICRO COFFEE GROUP FOR COFFEE BEANS GROUP D. 36
101	0250008201R	MICRO COFFEE GROUP D.40 FOR COFFEE BEANS GROUP D. 40
102	0250008026R	D.36 UPPER FILTER ASSEMBLY FOR COFFEE BEANS GROUP D. 36
103	0250008208R	D.40 UPPER FILTER ASSEMBLY FOR COFFEE BEANS GROUP D. 40
104	0250008108R	D.36 LOWER FILTER FOR COFFEE BEANS GROUP D. 40

assieme

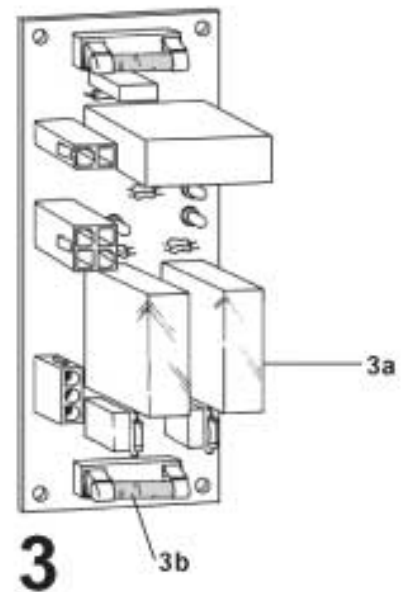
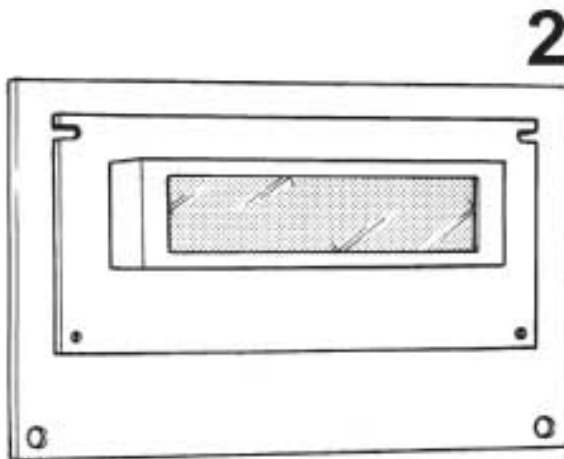
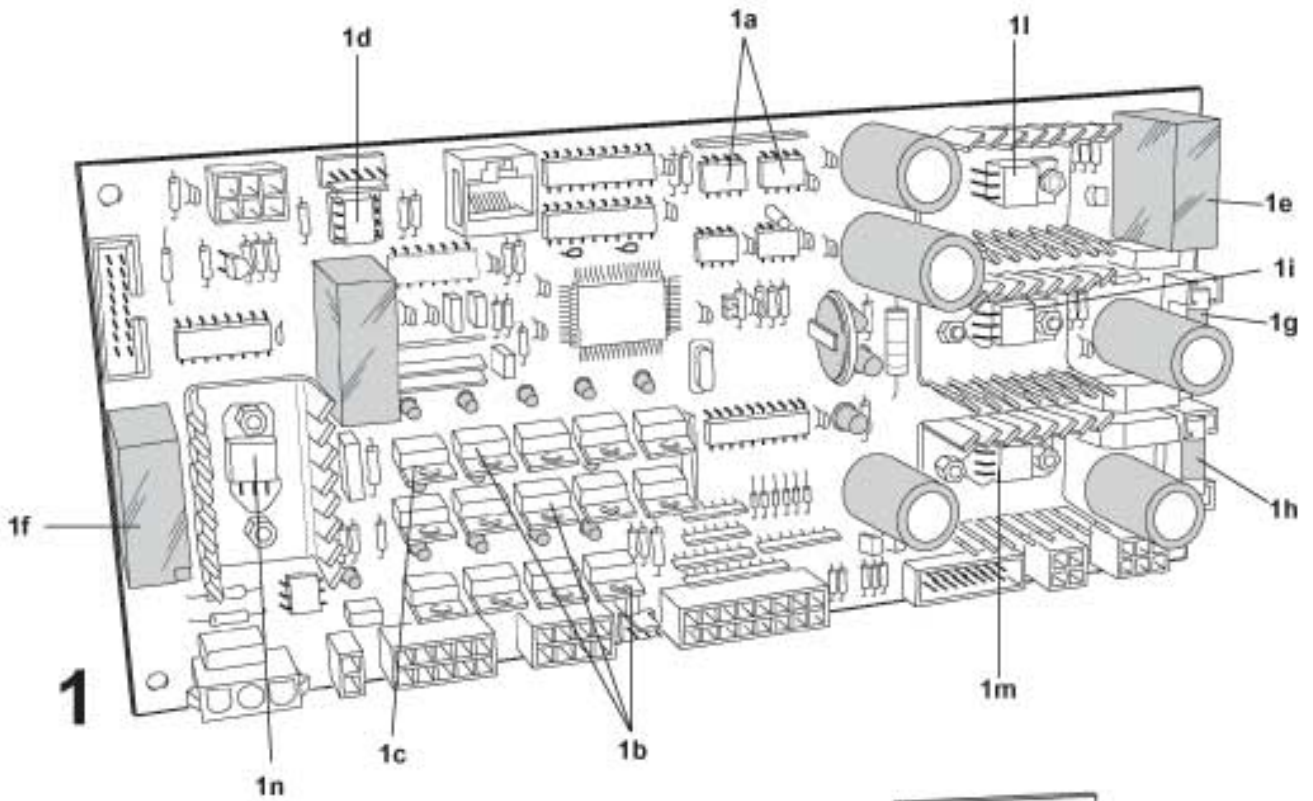


Pos.	Code	Description
1	0010020119	TANK SUPPORT
2	0800008053	
3	0800009211	ELBOW WITH RAPID CONNECTION
4	GUA0000043	OR 109
5	GUA0000038	2010 OR
6	VIT0003201	3.2x7x0.5 WASHER
7	800003022	PROBE mm 70
8	800003018	PROBE mm 155
9	0800009203	SOLUBLE TANK BODY
10	800000010	TANK INTERNAL WALL
11	800000035	COVER SECURING RING
12	0110007003	VOLUME COUNTER W/RUBBERHOLDER
13	VIT0004701	M3 FR NUT
14	0109002002	WATER FILTER
15	TSIL06/11T	TRANSPARENT SILICONE PIPE
16	VIT0002002	3.5 x 6.5 TCB SCREW
17	FASC000210	COLLAR
18	TSIL07/11T	TRANSPARENT SILICONE PIPE D.7 x 11
19	VIT0000030	SCREW TCB M4 x 7



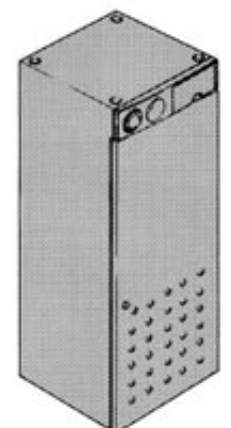
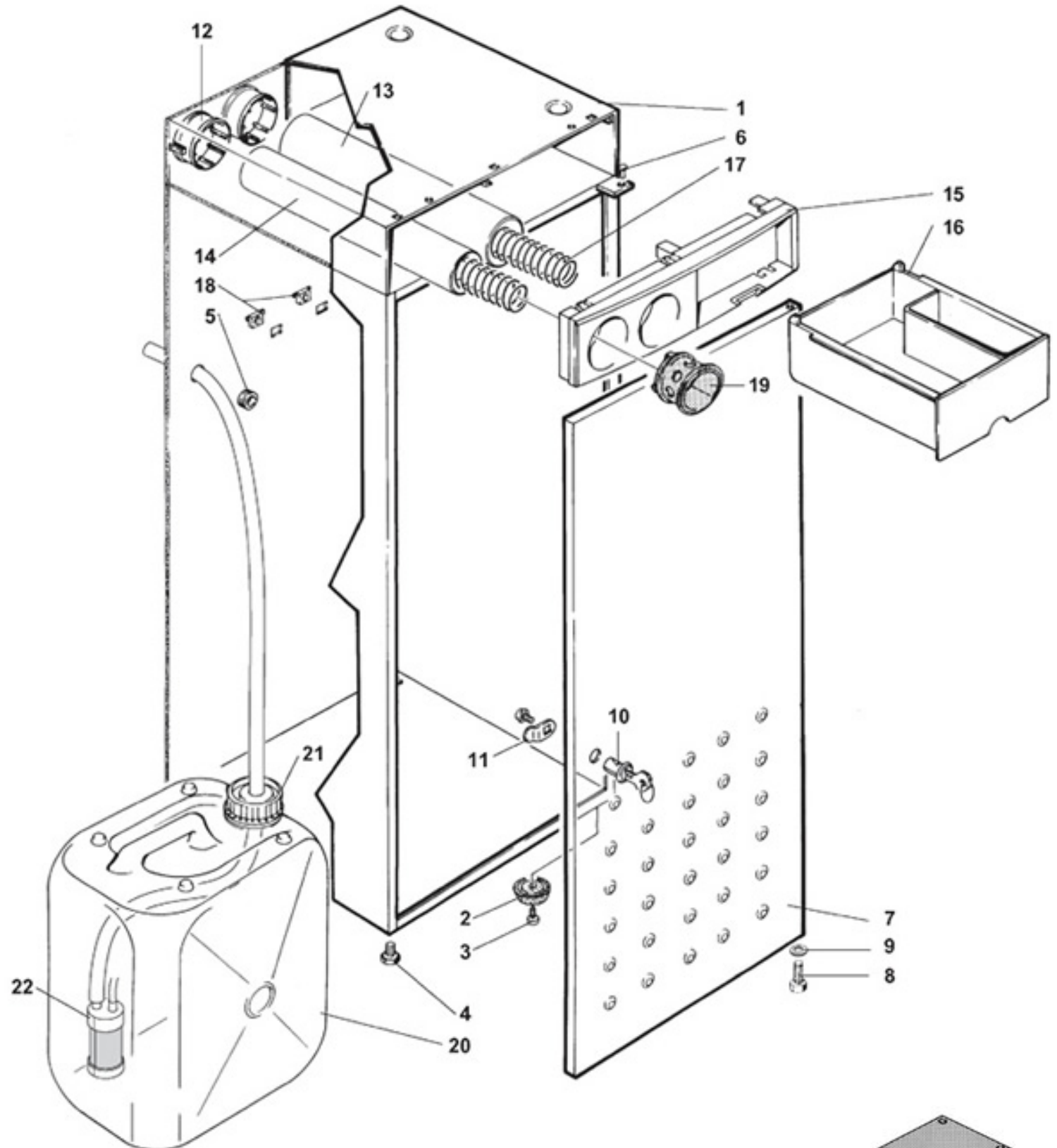
XS - CONTROL AND POWER LOGIC

Pos.	Code	Description
1	SCH0002940	PRIMA CPU BOARD AND POWER CONTROL
1/a	ELT0004020	TRANSISTOR BDW93C
1/b	ELT0030305	INTEGRATED CIRCUIT 7812
1/c	ELT0030301	INTEGRATED CIRCUIT 7805
1/d	ELT0004209	TRIAC TRIAC 16 A
1/e	ELT0007159	2-WAY 24V D.C. 10A RELAY
1/f	ELT0007151	1-WAY 24V D.C. 10A RELAY
1/g	ELT0030064	EAROM 93C56
1/h	ELT0030059	EPROM 27C512
1/i	ELE0003028	6,3A SLOW-BLOW GLASS FUSE 5x20
1/l	ELE0003025	2A RAPID GLASS FUSE 5x20
1/m	ELT0030471	RIBBON CABLE 12P.
1/n	ELT0004025	TRANSISTOR BTS 133
2	SCH0002660	DISPLAY BOARD
3	SCH0003240	XS-E EXPANSION
3/a	ELT0007151	1-WAY 24V D.C. 10A RELAY
3/b	ELE0003028	6,3A SLOW-BLOW GLASS FUSE 5x20

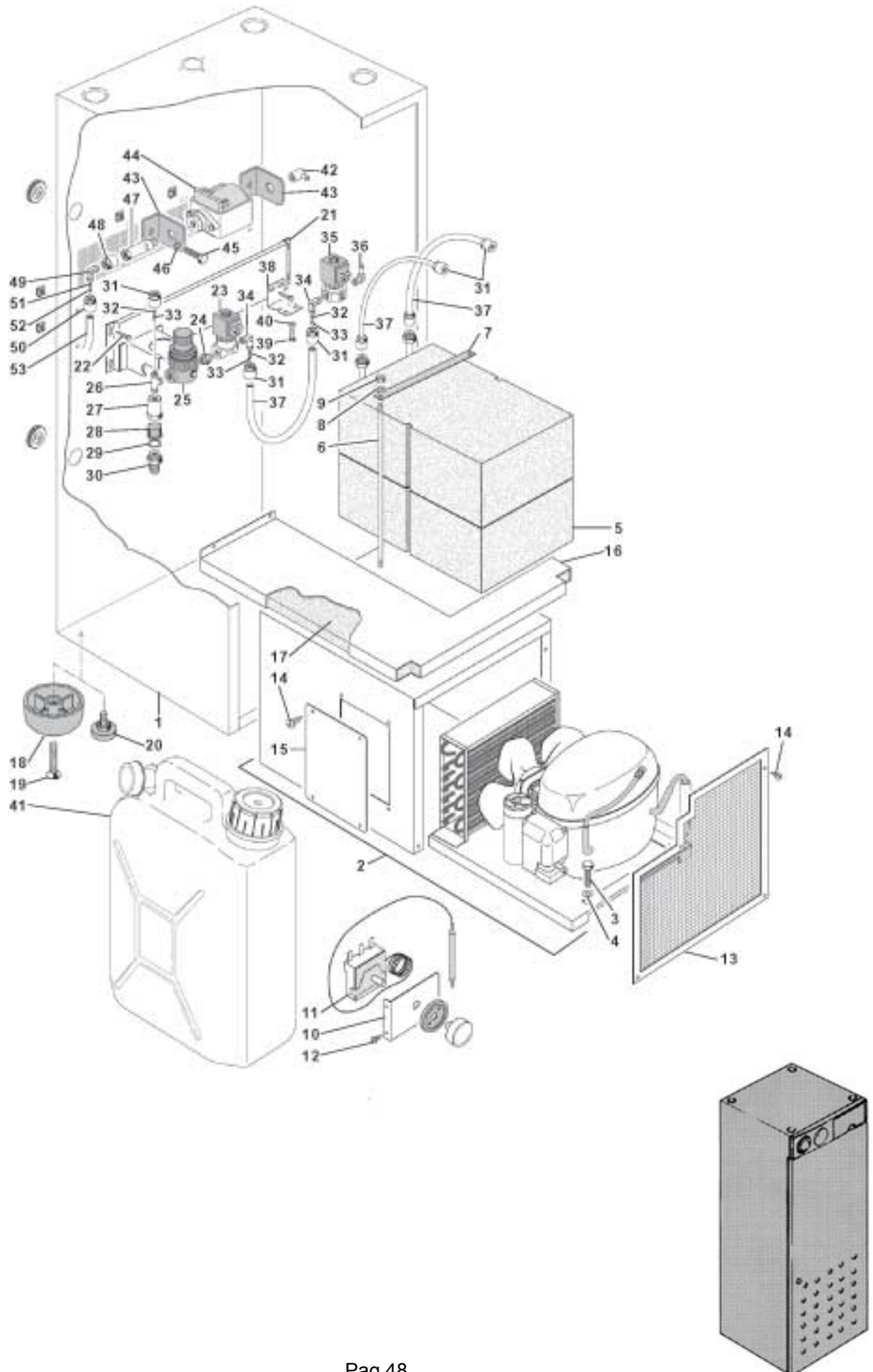


XS - NEW ELECTRONIC CONTROL AND POWER LOGIC

Pos.	Code	Description
1	SCH0005920	CPU/ POWER
1/a	ELT0030066	EAROM 25640
1/b	ELT0004025	TRANSISTOR BTS 133
1/c	ELT0004020	TRANSISTOR BDW93C
1/d	ELT0030140	MCT INTEGRATED 6 Q.T.
1/e	ELT0007159	2-WAY 24V D.C. 10A RELAY
1/f	ELT0007151	1-WAY 24V D.C. 10A RELAY
1/g	ELE0003028	6,3A SLOW-BLOW GLASS FUSE 5x20
1/h	ELE0003025	2A RAPID GLASS FUSE 5x20
1/i	ELT0004026	TRANSISTOR BTS 141
1/l	ELT0030305	INTEGRATED CIRCUIT 7812
1/m	ELT0030301	INTEGRATED CIRCUIT 7805
1/n	ELT0004209	TRIAC TRIAC 16 A
2	SCH0005280	DISPLAY
3	SCH0003240	XS-E EXPANSION ONLY FOR ESPRESSO VERSIONS
3/a	ELT0007151	1-WAY 24V D.C. 10A RELAY ONLY FOR ESPRESSO VERSIONS
3/b	ELE0003028	6,3A SLOW-BLOW GLASS FUSE 5x20 ONLY FOR ESPRESSO VERSIONS



Pos.	Code	Description
1	0010020316	FLOOR-STANDING CABINET
2	0010005016	CABINET FEET
3	VIT0002401	TAPPING SCREW TCB 3.5 x 9.5
4	VIT0010504	D.22x7 M6x20 ADJUSTABLE FEET
5	GUA0010502	MEMBRANE CORE HITCH Ø 21
6	0010020313	DOOR HINGE UPPER PIN
7	0010020317	DOOR FOR FLOOR-STANDING CABINET
8	VIT0000205	SCREW TE M4x10
9	VIT0003003	WASHER D.8 x 4.3 x 0.8
10	SER0000010	BOX 5 RAPID EXTENSION LOCK
11	SER0001008	DOOR LOCK BRACKET TYPE 6
12	0010020324	CUP TUBE SUPPORT
13	0010020325	CUP GUIDING TUBE DIAM. 70
14	0010020326	CUP GUIDING TUBE DIAM. 57
15	0010020311	FRONT COVER FOR CABINET
16	0010020344	FRONT COVER DRAWER
16/a	0010020312	FRONT COVER DRAWER
17	0010020334	CUP PUSHING SPRING
18	VIT0009104	NUT IN RETAINER M4
19	0010020318	REDUCTION FOR CUPS D.57
20	CON0000304	20 LT. CANISTER
21	CON0000305	CANISTER PLUG
22	KIT0110004028	IMMERSION PUMP KIT
100	KIT0110004029	IMMERSION PUMP KIT WITH TANK (POS.20+22)



XS - BASE WITH FP REFRIGERATING GROUP

Pos.	Code	Description
1	0010020320	
2/a	0550050014CL	
2/b	0550050012CL	
3	VIT0001109	
4	VIT0003303	WASHER D.6.5 x 18 x 1.5
5	0550006015	POLYSTYRENE HALF-SHELL
6	0550006005	TANK SECURING TIE-BOLT
7	0550006006	TANK SECURING PLATE
8	VIT0003104	WASHER tab D. 5.1
9	VIT0004504	M 4 NUT
10	0010020382	
11	ELE0000919	REMOTE THERMOSTAT
12	VIT0002401	TAPPING SCREW TCB 3.5 x 9.5
13	0010020381	
14	VIT0002009	TAPPING SCREW T.C.B. 3.5 x 6.5
15	0550060010	
16	0010020388	
17	0010020389	
18	0010019967	FEET D. 60X25
19	VIT0000123	
20	VIT0010501	SETTING PLATT ES.M 8 x 22 D.30 BLACK
21	0010020383	WATER COMPONENTS SUPPORT
22	VIT0000211	
23	0110001064	24 DC 1/8 VALVE WITHOUT/SETTING
23/a	0110010009	OR FOR 2-WAY VALVE
24	0100001014	STRAIGHT CONNECTION SO110-8-1/
25	0110003007	WATER MICROREGULATOR 1/4 0-8 bar
26	0100001036	
27	0170005007	FILTER SUPPORT
28	0110020007	D.20 PLASTIC FILTER
29	GUA0003201	D.26x22x1.5 COPPER GASKET
30	0170005006	FILTER-HOLDER CONNECTION
31	0100001003	NUT FOR PIPE FITTING D.6-1/4
32	0100002005	STRENGTHENING BUSH D.4
33	0100002002	LOCKING RING D.6
34	0100001020	
35	0110001076	24 DC 1/8 2-WAY VALVE WITH SETTING
36	250020146	ELBOW CONNECTION
37	TPAD04/06T	D.6x4 PIPE FOR FOODSTUFFS
38	0810010211	VALVE SUPPORT BRACKET
39	VIT0000204	M 4X8 TSP SCREW
40	VIT0003301	WASHER D.12 x 4.3 x 1.5
41	CON0000301	
42	0110004023	PIPETTE
43	0110004022	BRACKET SUPPORT
44	0110004021	230V 50 HZ PUMP FOR XS CABINET
45	VIT0000014	M 4x16 TCB SCREW
46	VIT0003301	WASHER D.12 x 4.3 x 1.5
47	0100001014	STRAIGHT CONNECTION SO110-8-1/
48	0100001004	NUT FOR D.8-1/4 PIPE FITTING
49	0100001022	L FITTING 6-3/8M CON.
50	0100001005	NUT FOR D.8-3/8 PIPE FITTING
51	0100002006	STRENGTHENING BUSH SO3-8-6
52	0100002003	LOCKING RING D.8
53	TNAY000002	